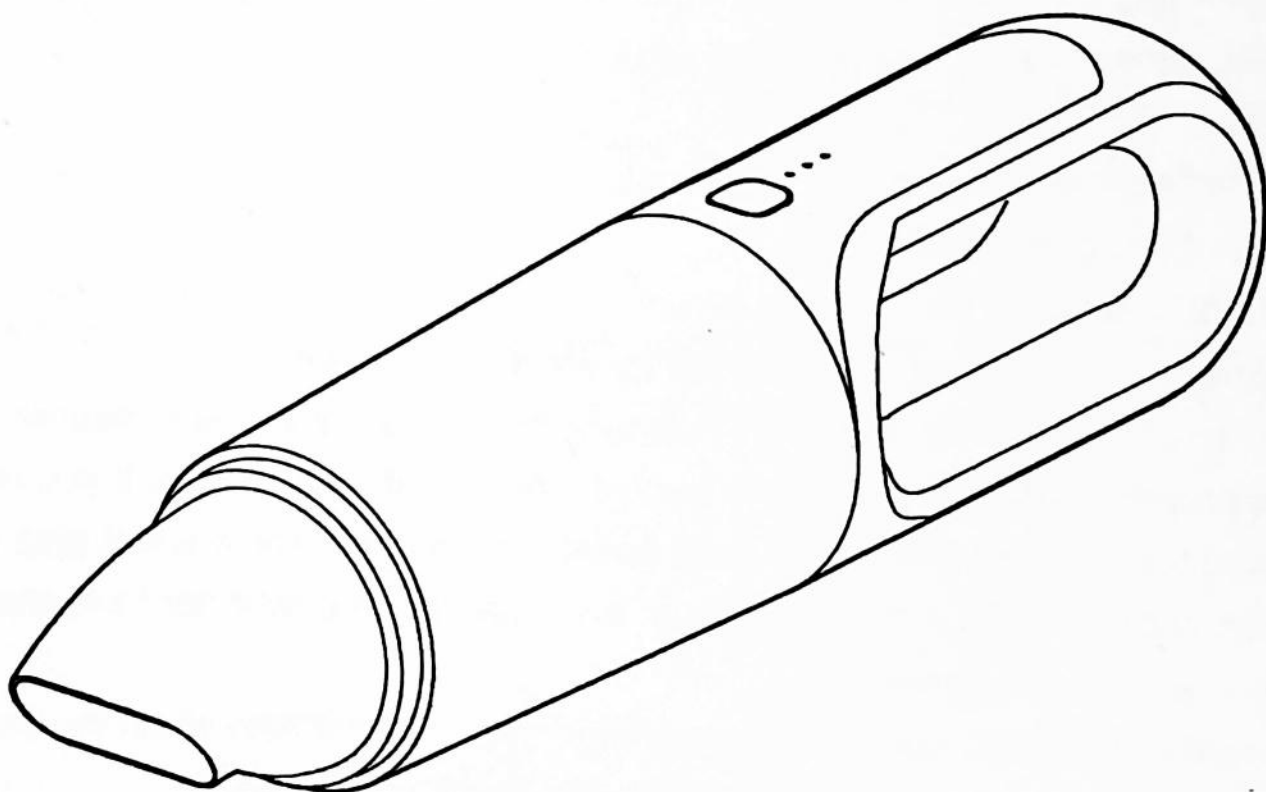


# **USER MANUAL**

## **(WIRELESS VACUUM CLEANER)**

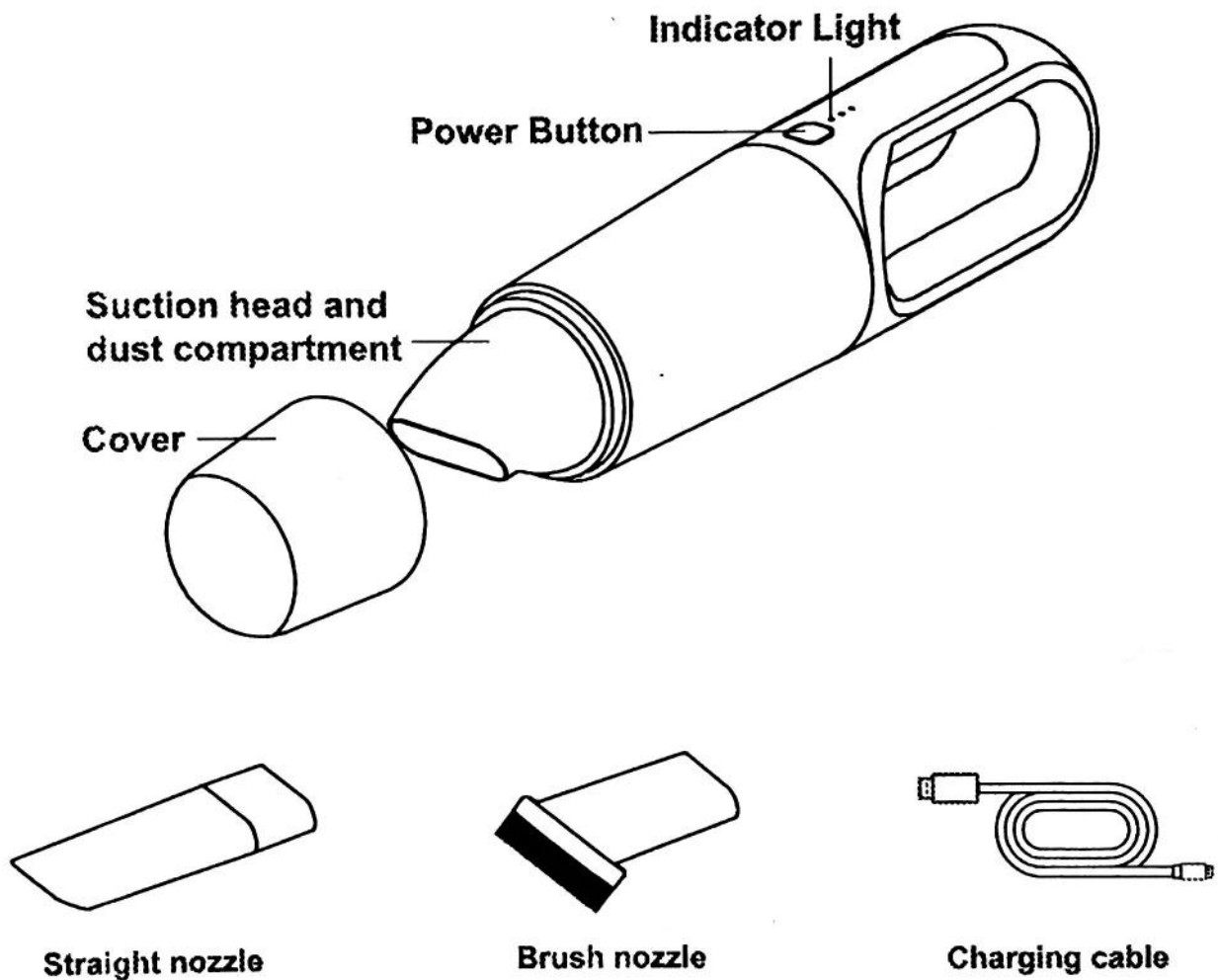
DL 97984



**Thank you for purchasing a Wireless Vacuum Cleaner!**  
Before use, please read and fully understand the instructions carefully.

## 1. PRODUCT INTRODUCTION

---



### SPECIFICATIONS

**PRODUCT NAME:** Wireless Vacuum Cleaner  
**INPUT CURRENT:** 2A  
**INPUT VOLTAGE:** 5V  
**RATED VOLTAGE:** 7.2V  
**RATED POWER:** 70W

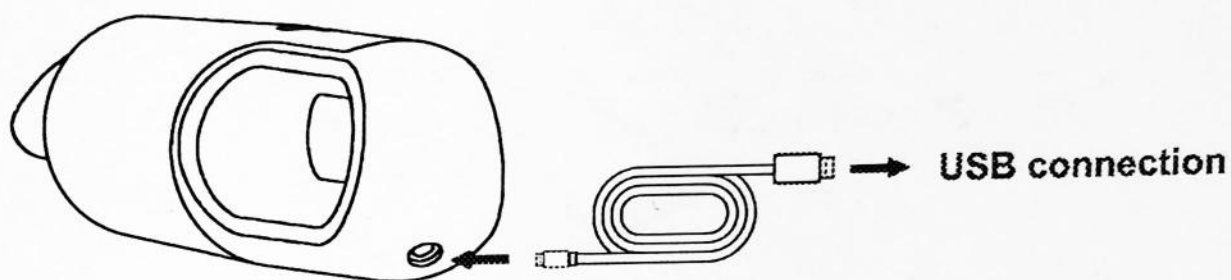
**BATTERY CAPACITY:** 2200mAh  
**USE TIME:** 10-15mins  
**MAXIMUM SUCTION:** >3500 Max: 4000Pa  
**DUST BOX CAPACITY:** 100ml  
**FUNCTION:** wet and dry vacuum cleaner

## 2. HOW TO USE

---

### How to charge

Please use an adapter with a rated voltage of 5V and a rated current of >2A or a car charger for charging.



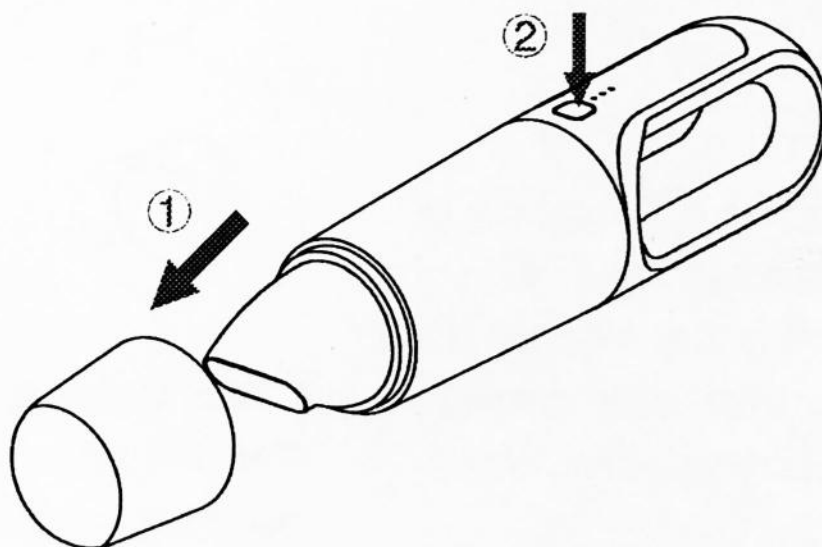
Power cord connection to vacuum cleaner

### Preparation for First Time Use

Before using for the first time, please fully charge the product. Green indicates the product is fully charged. Red indicates that the product is charging.

### How to use

Remove the (1) cover before pressing the (2) power button to use.

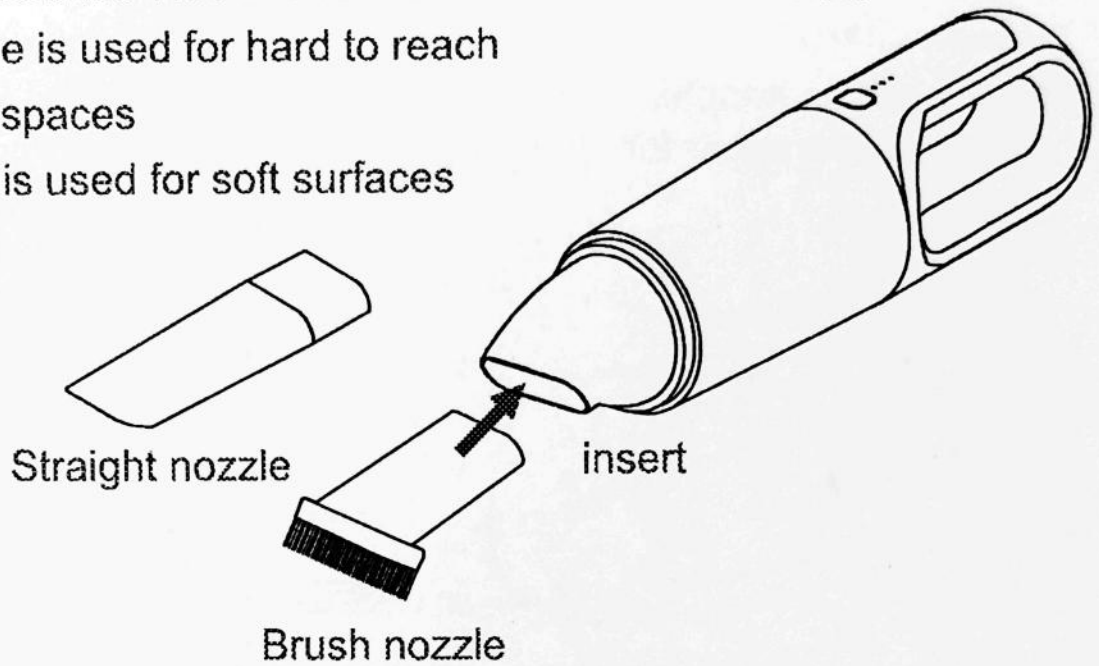


## USE OF ACCESSORIES

Attach the accessories onto the suction head as shown below

> Straight nozzle is used for hard to reach areas and tight spaces

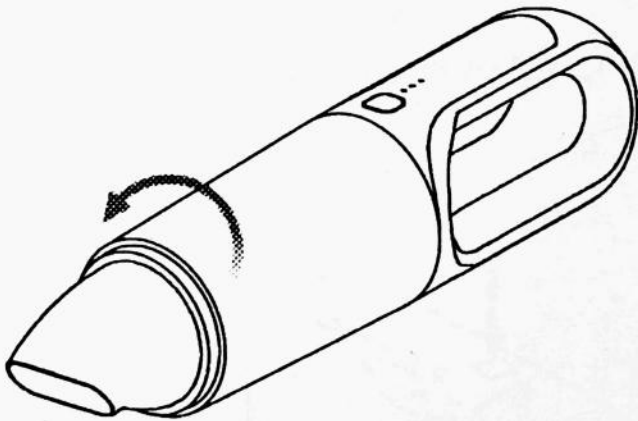
> Brush nozzle is used for soft surfaces



## HOW TO CLEAN

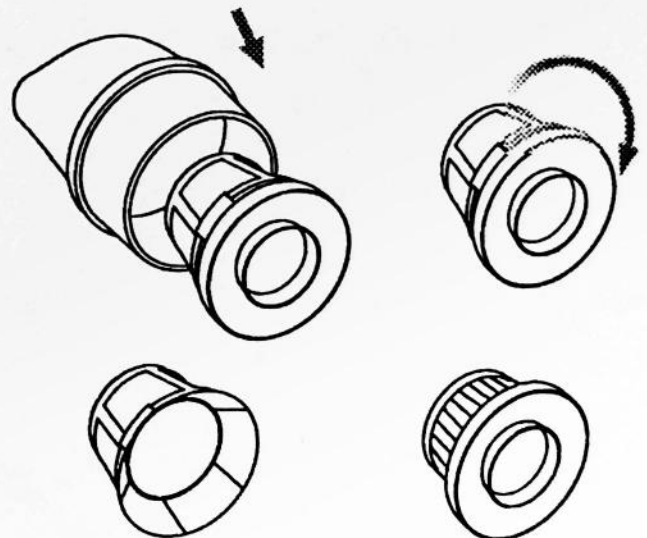
Please clean the dust compartment and filter after every use.

1. Rotate the nozzle counterclockwise to open dust compartment.



3. If necessary, use a damp cloth to clean the suction head and dust compartment. You may also clean the filter with water after first removing excess dust. You may simply air dry after washing.

2. Make sure to open the dust compartment and filter above a trash bin to prevent further mess.



4. After cleaning, follow Step 2 then Step 1 to return the filter in its place inside the suction head.

### 3. PRECAUTIONS

---

#### WARNING

1. If the vacuum cleaner is damaged, please do not continue to use it.
2. Please use the provided charging cable to avoid accidental damage

#### ATTENTION

1. Do not use while charging.
2. While vacuuming, do not block suction head opening.
3. Prevent the product from coming into contact with fire or heat sources or directly in the sun.
4. Please use an adapter with a rated voltage of 5V and a rated current >2A or car charger for charging.

#### PROPER HANDLING OF BUILT-IN LITHIUM BATTERY

1. Do not expose the battery to impact, extrusion, or fire. Do not forcedly attempt to open the battery.
2. If you notice any bloating from the battery, please stop usage of vacuum cleaner.
3. Do not place the product or battery in a high temperature environment.
4. Keep the battery away from water.
5. For proper disposal of batteries, please follow local provisions.

### 4. TROUBLESHOOTING

PROBLEM	COMMON REMEDY
Vacuum cleaner won't turn on	Check if the product has power.
Vacuum cleaner is not functioning properly	Check if the suction head and/or nozzles are installed properly. Check if the filter is blocked. Clean dust compartment and filter regularly.
Vacuum cleaner is not charging	Check that the power supply is connected to a rated voltage of 5V adapter or car charger with current >2A.

## 4. SAFETY INSTRUCTIONS

---

1. Do not place the vacuum cleaner near heat sources and do not attempt to suction such objects:
  - > Any other liquid other than small amounts of water.
  - > Construction waste such as calcium oxide, cement ash, and the like;
  - > heating objects, such as carbon, charcoal, cigarette ends, etc.
  - > Sharp debris such as shards of glass or hard plastic and the like;
  - > Inflammable and explosive materials such as gasoline and alcohol products.
2. Do not let children play with or operate the vacuum cleaner to avoid accidents.
3. The vacuum cleaner is an electric appliance, please use the product accordingly.
4. Turn the vacuum cleaner off when cleaning, repairing, or not in use.
5. Do not pull the power cord. Carefully remove the cord when unplugging.
6. Make sure the power supply voltage is the same as required by the vacuum cleaner.
7. Do not expose the cord of the vacuum cleaner to sharp objects, so as to not damage the power cord.
8. Do not submerge the vacuum cleaner in water and avoid exposure to heating appliances or direct exposure to heat to avoid causing fire.
9. For any reason, do not use the power cord to drag the vacuum cleaner.
10. Improper usage will result in a void of warranty, if any is given. If you have dropped the vacuum cleaner or have operated it abnormally, this will also void the warranty. Breakage or lack of proof of an undamaged power cord will also result in a void of warranty.
11. Avoid running the vacuum cleaner for long periods of time when the suction head is blocked to avoid motor damage and heating deformation.