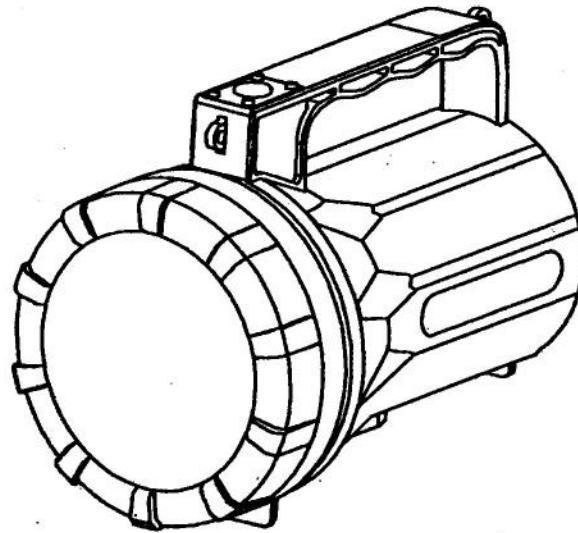




User Manual

Rechargeable Handheld Work Light
DL5421



Dear Customer,

Thank you for purchasing our handheld spotlight. Please read this manual carefully before use and operate it correctly according to the instructions in this manual. The parameters in this manual are subject to change without further notice.

Please keep this manual for future reference or subsequent owner use.

Product Features

- 1 The product comes with 4 pieces of 18650 batteries with a total capacity of 4,800mAh, supporting long working hours.
- 2 The product is equipped with a precision control panel for safe cycle charging.
- 3 The product has a built-in LED ultra-bright wick for concentrated beam.
- 4 Three brightness settings available, including high beam, low beam and SOS for different work scenarios.

Technical Parameters

Light Source: LED wick

Luminous Flux: 460lm

Battery Specs: 4 x 18650/3.7V 4800mAh Batteries

Runtime: >10h (High beam)

Charging Input: 5V = 1A MAX

Charging Time: 9h

Impact Resistance: 1m

Working Temperature: -20°C-50°C

Protection Level: IP67

Brightness Settings

The Soft-touch button is used to choose your brightness settings. Press the switch gently in the standby state to turn on the LED light, and then cycle through settings: high beam → low beam → off. Long-press to activate the SOS setting.

CAUTION

- 1 To avoid battery damage, do not use the product during charging.
- 2 Keep the appliance away from flammable or explosive materials during charging.
- 3 When using the light, do not shine it directly into eyes to prevent damage to vision (children should only use the product under adult supervision).
- 4 Do not attempt to disassemble the appliance on your own if it has been damaged, please call our service team or a professional for repair.

Package Contents

Spotlight + Battery	1	USB charging cable	1
Package	1		

Product Recycling and Disposal

Dear Customer,

1. If you want to dispose of your unused appliance, please remember that it contains several valuable components that can be recycled.
2. Do not throw this appliance in the trash, please consult your local authorities.

