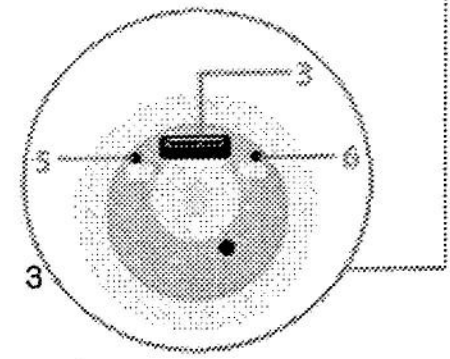
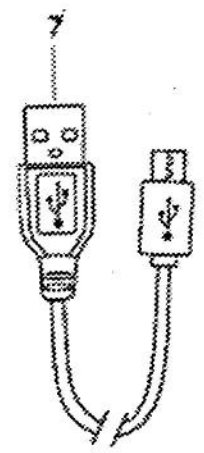
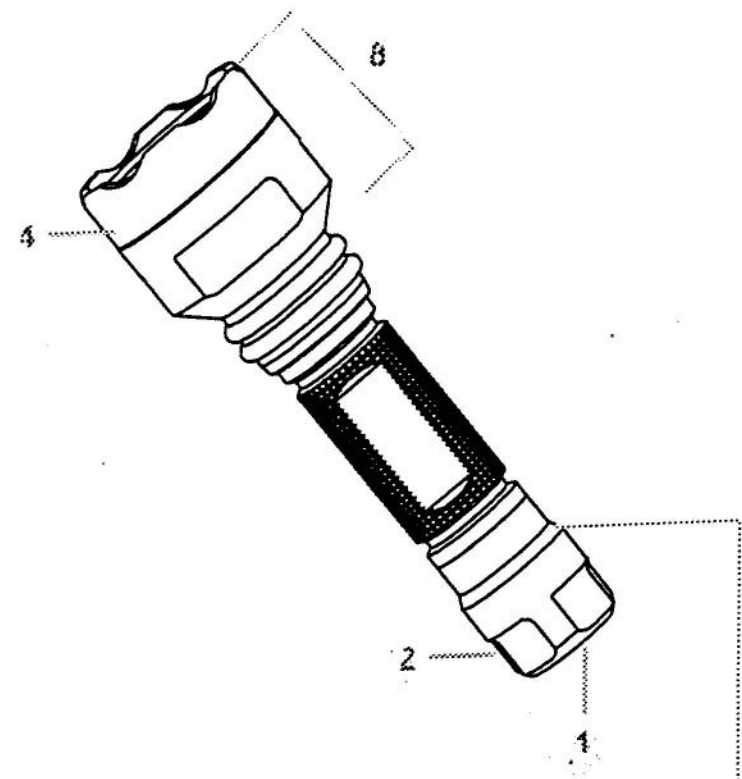
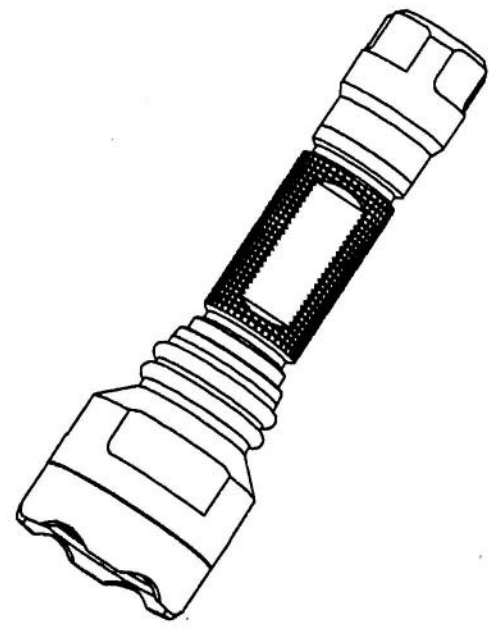




User Manual

FLASHLIGHT
DL551015



GB Operating Instructions

SAFETY INSTRUCTIONS:

1. Read the operating instructions carefully prior to use.
2. Do not use the torch if it is damaged.
Please contact an electrician or write to the service address provided.
3. Do not look directly into the light.
4. Do not use the flashlight in an explosive environment as this poses a fatal risk!
5. Only use a certified USB source to charge the batteries.

OPERATION:

1. Drain the battery completely and recharge before using the lamp for the first time.
2. Possible modes of operation- Push the switch (1):
100% - off- 40% - off- 10% - off- strobe - off- SOS - off
- Soft touch function by tpping the switch: 100% (push)
- 40% - 10% - strobe - SOS - off (push).
3. The flashlight CANNOT be used while charging.
4. Charging indicator: red (5) during charging, green (6) when the battery is charged.
5. If the lamp is not used for an extended period of time, it is recommended that the bttry be charged every 3 months.

OVERVIEW OF THE CONTROLS:

- | | |
|----------------------------|-----------------------------|
| ① On/Off switch | ② Switch end piece |
| ③ Charger socket | ④ Focus |
| ⑤ Charging indicator (Red) | ⑥ Charging indicator(Green) |

⑦ USB charging cable

⑧ LED head part

CHARGING:

Screwing off the switch end piece (2)
Only charge your battery using a USB charging cable (7).
Exclusively use a certified USB power source (e.g. charging device, computer) with a maximum of 5 V output voltage:
Connection: USB source - USB charging cable (7) - charging socket(3)
Screwing the switch end piece (2) down.
During the charging process, the product is not IP67-compliant (dust-tight and protected against temporary immersion in water).

BATTERY EXCHANGE:

Screw off the LED head part (8), remove and replace the battery, screw the LED head part (8) down frmly.
Replacement batteries can be purchased from Hugo Brennenstuhl (see address) under the art.

TECHNICAL SPECIFICATIONS:

LED: CREE-LED

USB charging input: 5 V/1 A (micro USB)

Flux: 385 lm

Charging time: 2~3hrs

Battery: YK ICR 26650 dual pole 4.0 Ah

Temperature range: -20°C- +50°C