

WARRANTY CARD

Thank you for your purchase of our products. The interests of customers who purchase our products will be protected. For any malfunction due to product quality problems, please contact authorized local dealers or service centers with this receipt and the warranty card.

Warranty terms: Repairs or replacements occur under normal operating circumstances, free of charge repair and spare parts replacement service shall be provided by our company within one year commencing from date of purchase. Customers are required to present this warranty card and the original purchase invoice to our company upon request for warranty service. This warranty card shall be valid only after the following form is filled out in accordance with the instructions on the back of the card. The dealer or company shall be provided in the event of any of the following circumstances:

- (1) Expiration of the warranty period;
- (2) Damages caused by improper use, maintenance or storage not in accordance with the requirements of the user manual;
- (3) Failure or damage resulting from unauthorized disassembly, repair or modification;
- (4) Damage caused by natural disasters, fire, lightning, flood, etc.;
- (5) Wear parts or accessories.

This warranty card is being delivered with the product, one card for one product. Please keep this warranty card in proper condition for free warranty service. There is no replacement if lost.

Date of Purchase: _____ Y _____ M _____ D

Product Information	Product Name	Serial Number
	Product Model Number	Manufacturing Date
Customer Information	Company Name	Contact
	Address	Phone
Dealer Information	Dealer Name	Contact
	Address	Phone
Sales Information	Date of Purchase	Invoice No.
	Description of Malfunction	Customer Signature
Maintenance Record	Maintenance Results	Maintenance Technician Signature
		Maintenance Date

This copy shall be cut along the dotted line and kept by the dealer.

Product Information	Product Name	Serial Number
	Product Model Number	Manufacturing Date
Customer Information	Company Name	Contact
	Address	Phone
Dealer Information	Dealer Name	Contact
	Address	Phone
Sales Information	Date of Purchase	Invoice No.
	Description of Malfunction	Customer Signature
Maintenance Record	Maintenance Results	Maintenance Technician Signature
		Maintenance Date

Special Disclaimer: While information of this manual has been rigorously checked and reviewed, we still cannot rule out the possibility of spelling mistakes and technical negligence and/or errors. Such negligence and/or errors will be corrected in the updated version(s) without further notice. The intellectual property of this manual belongs to our company, and no organization or individual is allowed to change the content.

CERTIFICATE

Inspector: _____
Date of Manufacture: _____

DELI GROUP CO., LTD.

301 Xuxi Lake Ave. Ninghai County
Ningbo 315600 China Made in China
info@ndelli.com www.deliworld.com

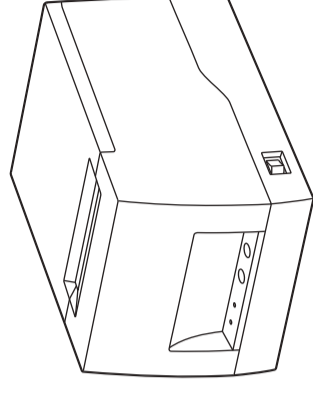


KEEP FOR
FUTURE USE

Version: 1.0
Date: 10-2020

USER'S MANUAL

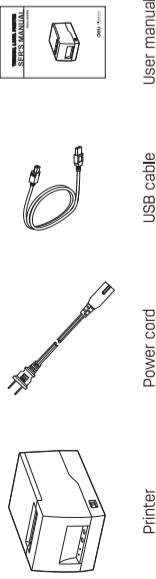
886A/886BW



deli
DELI GROUP CO.,LTD.
www.deliworld.com

1.packing checklist

Please check if the product is intact after unpacking and verify that all the accessories have been received. Please contact the dealer for any defect and/or missing of accessory.



- Tips:
- To download the driver and editing software, please go to Deli's official website www.deliworld.com or use installation CD.
 - This product may cause radio interference in which case the user may be required to take adequate measures.

Inform link



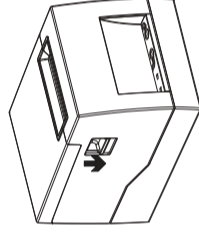
- Scan the code to access relevant information



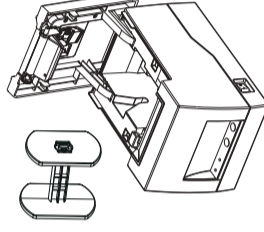
- Scan the code to watch the instruction video

3.Installing the paper roll

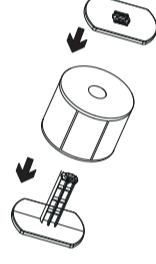
1.Face toward the front panel and press the top cover button in the direction as indicated by the arrow and the top cover bounces up automatically.



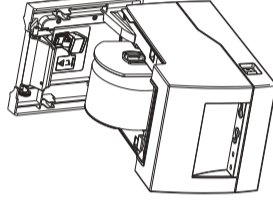
2. Hold the printer and lift up the paper roll spindle and the paper roll stopper.



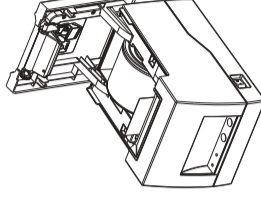
3. Pull out the paper roll stopper to the right and load the paper roll. Fix the paper roll with the paper roll stopper according to the roll paper width.



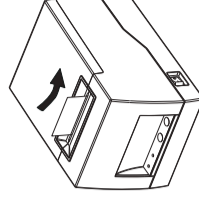
5. Pull out part of the paper roll through the paper guide, and close the paper guide according to the paper width to regulate both sides of the paper.



5. Pull out part of the paper roll through the paper guide, and close the paper guide according to the paper width to regulate both sides of the paper.

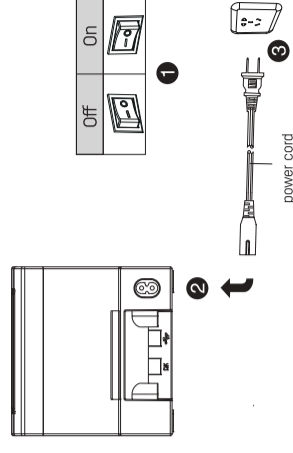


6. Press down the top cover, tear off any excess paper in the direction of the cutting blades.

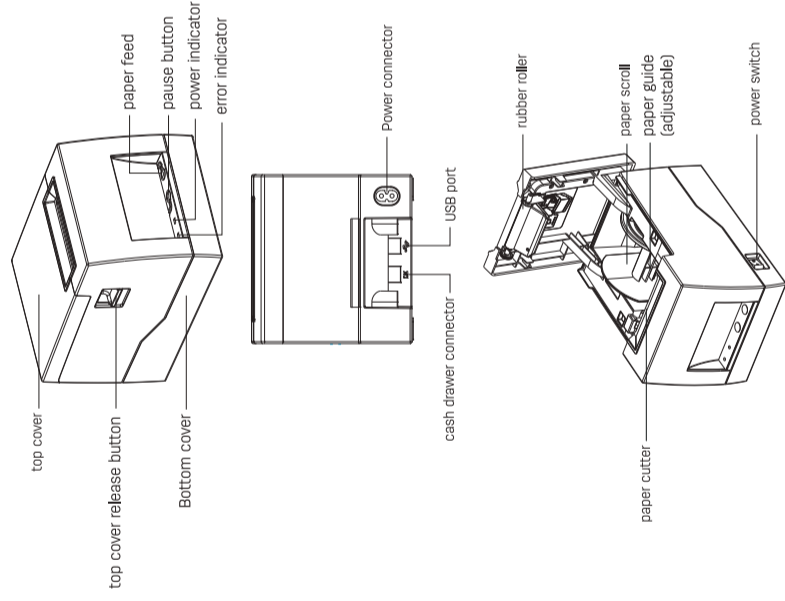


4.Connecting the power cord

- Make sure the printer's power switch is off (O).
- Connect the power adapter to the printer.
- Plug the power cord into the other end of the power supply.



2.Physical appearance and components



Note: Keep your fingers away from the paper cutter while printing, or you may cut your finger. The company shall not be liable for any injury caused by the paper cutter during operation.