

Cumbia

CAFELIZZIA 790 STEEL PRO
CAFELIZZIA 790 SHINY PRO
CAFELIZZIA 790 WHITE PRO
CAFELIZZIA 790 BLACK PRO



cecotec

Manual de instrucciones
Instruction manual
Manuel d'instructions
Bedienungsanleitung
Manuale di istruzioni
Manual de instruções
Handleiding
Instrukcja obsługi
Návod k použití

SAFETY INSTRUCTIONS

Read these instructions thoroughly before using the appliance. Keep this instruction manual for future reference or new users.

All safety instructions should be closely followed when using the appliance.

Make sure that the mains voltage matches the voltage stated on the rating label of the appliance and that the wall outlet is grounded.

Place the appliance on a dry, stable, flat, heat-resistant surface. This product is designed only for household use. It is not suitable for commercial or industrial use.

Do not immerse the cord, plug, or any non-removable part of the appliance in water or any other liquid, nor expose the electrical connections to water. Make sure your hands are dry before handling the plug or switching on the appliance.

Do not use the appliance if its cord, plug, or housing is damaged, nor after it malfunctions or has been dropped or damaged in any way.

Check the power cord regularly for visible damage. If the cord is damaged, it must be replaced by the official Technical Support Service of Cecotec in order to avoid any type of danger.

Do not cover the appliance during operation and do not place heavy objects on it.

Do not use the appliance under the following circumstances:

On or near a gas or electric hob, in heated ovens, or near open flames.

On soft surfaces (such as carpets) or where it may tip over during use.

Outdoors or in areas with high humidity levels.

Do not use any accessory that has not been recommended or provided by Cecotec, as they might cause injuries or damage.

The temperature of accessible surfaces may be high while in use and could cause burns. Do not touch hot surfaces while in use or immediately after. Use gloves.



Do not operate the device without water.

Do not move or turn the appliance off during operation.

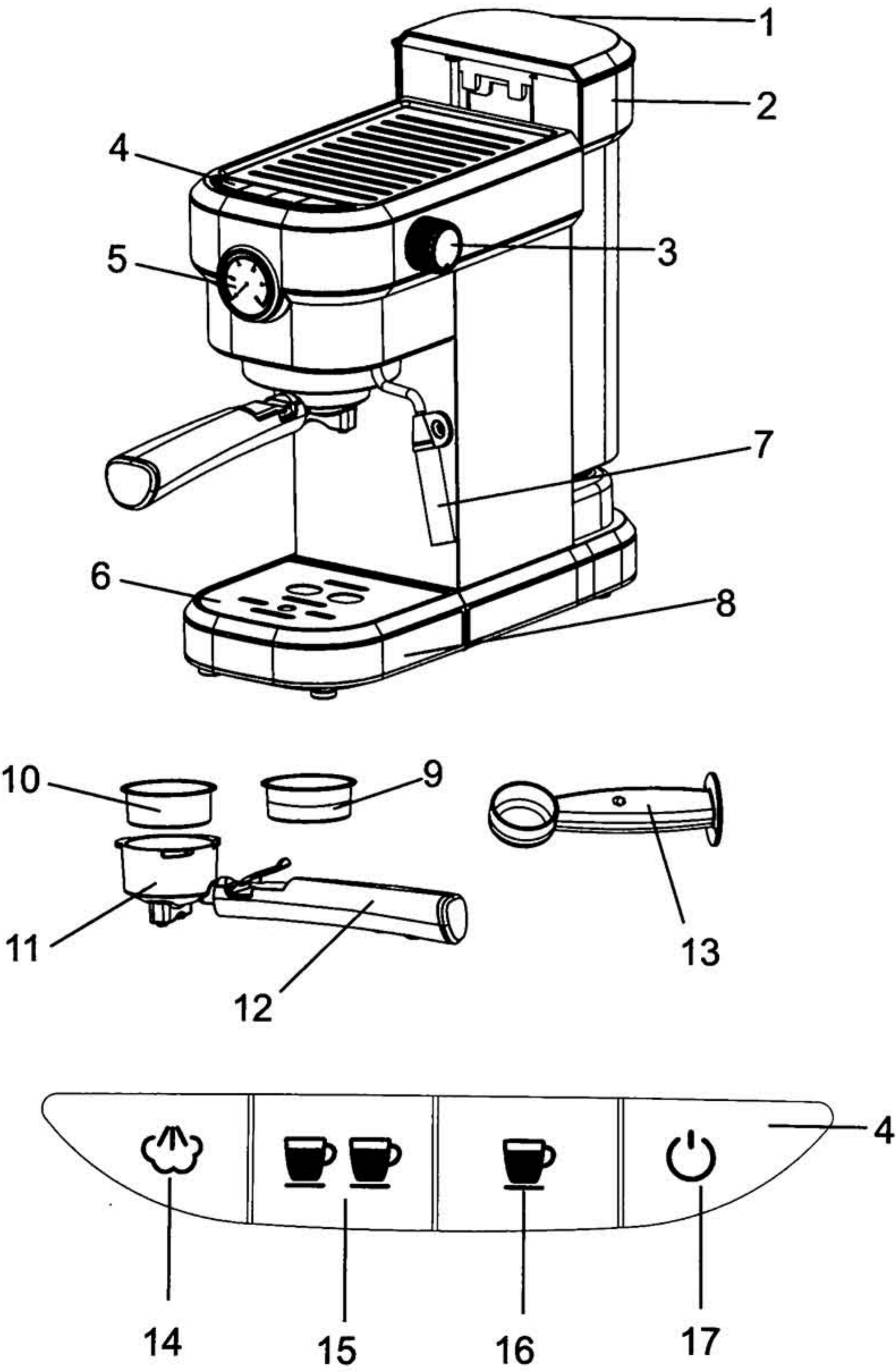
Do not let the cord hang over the edge of the working surface or countertop, and avoid it from touching hot surfaces.

Cleaning and maintenance tasks must not be carried out by children.

The appliance is not intended to be used by children under the age of 8. It can be used by children over the age of 8, as long as they are given continuous supervision.

This product can be used by children aged 8 and above, and persons with reduced physical, sensory or mental capabilities or lack of experience and knowledge, as long as they have been given supervision or instruction concerning the use of the appliance in a safe way and understand the hazards involved. Supervise children, they shall not play with the appliance. Close supervision is necessary when the appliance is being used by or near children.

Note: This product has undergone a quality control previous to its commercialization with the aim of ensuring its correct operating. After the quality control testing, the appliance is cleaned thoroughly, therefore, although it is unlikely to occur, there could be rests of water drops.



1. PARTS AND COMPONENTS

- 1. Tank cover
- 2. Water tank
- 3. Steam dial
- 4. Control panel
- 5. Pressure gauge
- 6. Cup tray
- 7. Steam Tube
- 8. Drip tray
- 9. Filter for 1 coffee
- 10. Filter for 2 coffees
- 11. Filter holder
- 12. Portafilter
- 13. Measuring spoon and coffee tamper
- 14. Steam button
- 15. 2 espresso/double espresso button
- 16. 1 espresso button
- 17. Power button

Fig./lmg./Abb./Afb./ Rys./Obr. 1



Lock

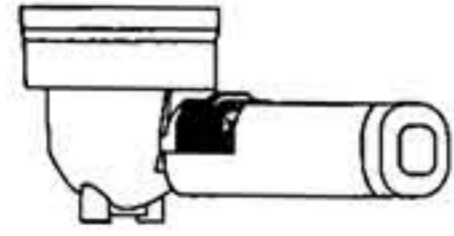


Fig./Img./Abb./Afb./ Rys./Obr. 2

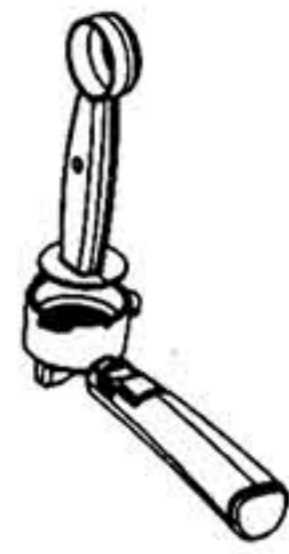


Fig./Img./Abb./Afb./ Rys./Obr. 3

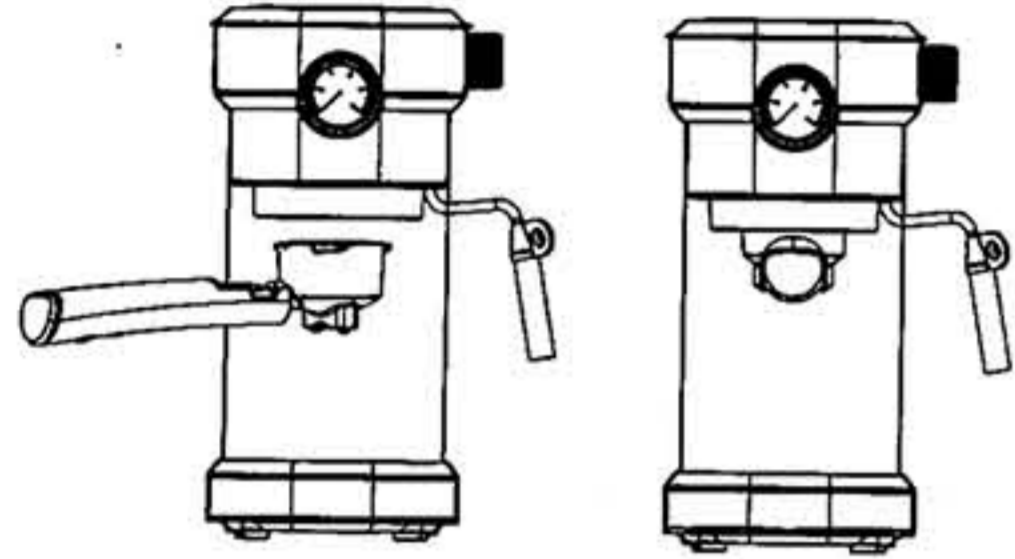


Fig./Img./Abb./Afb./ Rys./Obr. 4

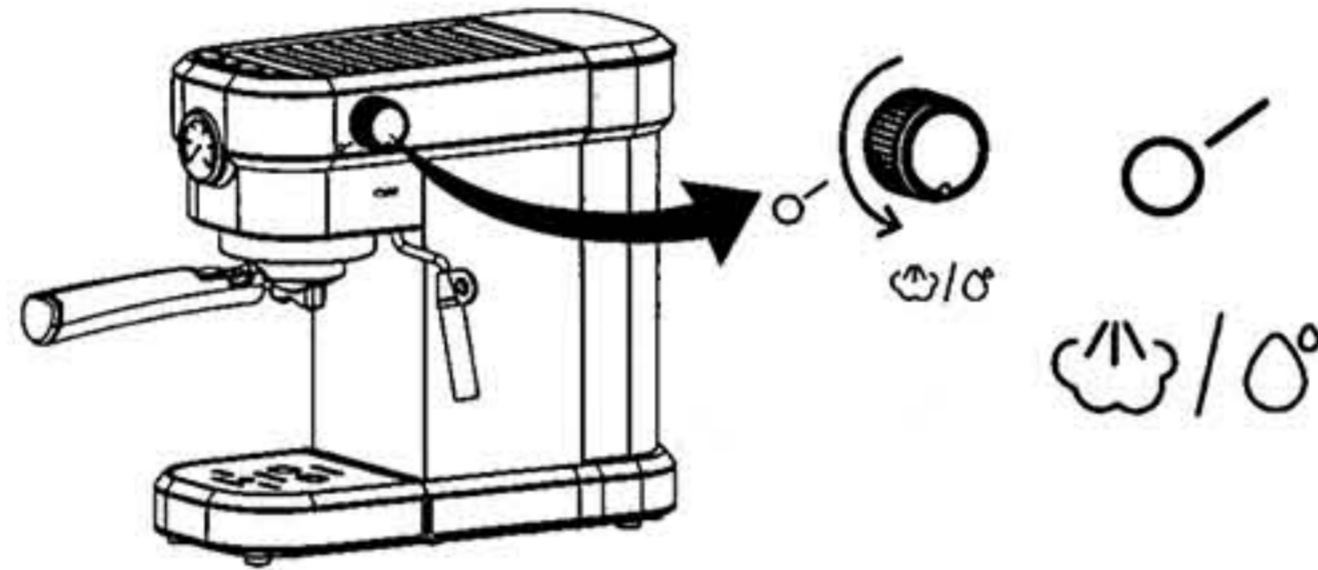


Fig./Img./Abb./Afb./ Rys./Obr. 5

2. BEFORE USE

Take the product out of the box and remove all packaging materials, stickers, etc. Make sure all parts and components are included and in good conditions. If any visible signs of damage are observed, contact the Technical Support Service immediately.

First cleaning

Fill the water tank with water. The water level should not exceed the "MAX" mark in the tank. Insert the filter in the funnel and assemble the portafilter into place. Ensure the portafilter is aligned with the lock drawing to ensure it is safely assembled.

Fig. 2.

Plug the device into a power supply and press the power button. The machine will beep. The 1 espresso and 2 espresso light indicators will turn on and the machine will start heating.

Once the 1 espresso and 2 espresso light indicators remain steady, press the 1 espresso button. The machine will start the cleaning process. Make sure the steam extraction knob is off. If it is not, the 4 light indicators will turn on and the machine will not work.

Note: If you want to carry out a more thorough cleaning cycle of the inside parts of the device, use a 1:4 solution of vinegar and water, or use descaling product. Repeat this process just with water to remove any rests.

3. OPERATION

Fill the water tank without exceeding the MAX mark.

Connect the coffee machine to a power supply and make sure the steam knob is set at the off position.

Espresso

While the machine preheats, place the desired coffee filter in the portafilter and fill it with coffee powder. Use the measuring spoon/coffee tamper to pour and press coffee down. 1 tablespoon is equal to 1 coffee dose. Clean the excess coffee from the filter's edge.

Fig. 3.

Insert the portafilter in the device and lock it tightly.

Fig. 4.

Once the 1 espresso and 2 espresso light indicators switch from blinking to steady, press the desired coffee button for the machine to brew 1 or 2 coffees.

Note: Make sure you have previously placed an appropriate cup or cups under the coffee spout.

Milk froth

Press the power button first. Then, press the steam button. The steam light indicator will remain steady on when it has completed the preheating process.

Pour milk into the container where you want to froth milk. Fill 1/3 of it.

Recommendation: It is recommended to use cold whole milk for optimal results.

Release some steam before using it to froth milk. Once the tube has produced some steam, switch off the function, insert the steam tube 1 cm into the milk and slowly turn the steam knob anticlockwise until steam starts being released.

Fig. 5.

1. Off

2. Steam/water

Note: The steam tube might emit some water droplets before producing steam.

When milk temperature starts to rise (to up to 75 °C) and milk froth volume starts increasing, turn the steam knob clockwise to the 0 position and press the steam button to stop the steam function.

Warning: Clean the steam exit with a wet sponge immediately after use. Then, remove the steam tube and clean the duct's inside part. It is also recommended to emit steam again in order to clean possible milk remaining inside the tube.

Hot water

Turn the steam knob to the water position. The steam tube will start dispensing hot water.
Turn the steam tube back to the 0 position to deactivate this function.

Memory function

Once the coffee machine has preheated and 1 espresso and 2 espresso light indicators remain steady, hold down the 1 espresso button. The machine will start brewing coffee.
When you have obtained the desired amount of coffee, stop pressing the espresso button. The machine will emit a sound, indicating it has saved the quantity.
The coffee machine brews coffee 60 seconds approx. by default, which is the maximum time coffee can be brewed and saved.

Note: If the button is hold pressed too little time, the setting will not be saved.

If you want to prepare a larger espresso or 2 espressos, follow the above steps and use the 2 coffee button instead of the 1 coffee one.

Factory settings

If you want to restore factory settings, hold pressed the 1 coffee button and the steam button for 3 seconds. The device will beep once indicating factory settings have been successfully restored.

Device cooling process

After steam is emitted or coffee is brewed, the device's temperature is likely to increase significantly, which means that all of its components will become very hot as the device has been operating at high pressure. Both of the light indicators, 1 and 2 coffees, will start blinking quickly, indicating the device's temperature has to be decreased.

To cool the device down:

Rotate the steam knob to the water position, the machine will start dispensing water for a few seconds.

When the indicator lights start flashing slowly, turn the steam knob to the 0 position.

When the power light indicators remain steady on, the device is ready to use again.

Note: The coffee maker counts on an auto-off safety system that activates after 25 minutes of non-operation.

4. CLEANING AND MAINTENANCE

Disconnect the device from the power supply and allow it to cool down completely before cleaning.

Do not use abrasive cleaners or scouring pads as they could cause damage to the product's

surface.

Use a soft, dampened cloth to clean the outer part of the device.

Do not immerse the main body in water or other liquids.

Wash the water tank, drip tray and cup holder tray regularly.

After using the steam function, the tube must be cleaned with a cloth immediately after. Be careful not to burn yourself! Allow steam to be released to avoid possible blockages inside the tube.

If the steam tube is clogged, use a needle to unblock the conduct.

Remove the portafilter and empty all coffee residues inside it. Then, use water and a cloth to clean it. Do not wash it in the dishwasher.

Clean all parts with water and dry thoroughly before storing it or using the device again.

Cleaning mineral deposits or descaling

Mineral deposits built up in the unit might affect the machine's operating. It is important to remove and clean them to keep the coffee machine operating efficiently. The quality of the water being used and type of use will determine how often these deposits have to be cleaned. It is recommended to carry out a cleaning cycle after each 1000 uses.

Fill the water tank with water and descaling product up to the MAX. level. Vinegar can also be used.

Note: Water and descaling proportion is 4:1. Repeat this process just with water to remove any rests.

5. TROUBLESHOOTING

| Problem | Cause | Solution |
|--|---|---|
| Coffee does not come out | No water in tank. Coffee grind is too fine. There is too much coffee in the filter. The device is not turned on or connected to the power supply. Coffee has been tamped/compressed too much. | Add water. Grind medium-ground coffee. Fill filter with less coffee. Connect the unit to a power supply and turn it on. Refill the filter basket with coffee, do not tamp too much. |
| No water/steam. | There is no water in the water tank or it is not installed properly. The machine is not preheated. | Fill the tank with water and turn on the device. The machine needs to be preheated before coffee can be brewed. Once the machine is preheated, the light indicator will turn on. |
| Coffee comes out around the edge of the portafilter. | Portafilter not rotated to full lock position. There is ground coffee on the edge of the filter. There is too much coffee in the filter. | Rotate filter holder to full lock position. Wipe off the rim. Fill with less coffee. |
| Coffee is too light. | Coffee is not enough ground or the grounds are not pressed enough. | Replace the coffee powder and flatten it with the measuring spoon/coffee tamper. |

| | | |
|-------------------------------|---|---|
| No steam. | Steam tube is blocked. The steam knob is not set to the required position or preheating is not completed. | Use a small wire through the steam hole and make sure to clean the tube after each use. Turn the steam knob to the steam position and wait for the preheating process to complete. |
| Coffee is not brewed well. | Too much or too little coffee powder. | 1 cup of coffee requires 1 coffee spoon, and must be pressed down. Coffee powder cannot be too thick or too fine. Too thick coffee cannot be completely extracted, too fine will affect the amount and quality of coffee. |
| Milk is not properly frothed. | The milk used is not suitable for this function. The steam function has been activated before the light indicator has turned on. | Use whole milk. Steam can only be released after the steam indicator light changes from flashing to steady light. |
| The light indicators blink. | The temperature is too high after steaming. | Cool down the device. |

6. TECHNICAL SPECIFICATIONS

Product: Cafelizzia 790 Steel Pro/ 790 Shiny Pro/790 White Pro/790 Black Pro

Product reference: 01584/01586/01652/01653

Voltage:220-240V ~ 50/60 Hz

Power: 1350 W

Made in China | Designed in Spain

7. DISPOSAL OF OLD ELECTRICAL APPLIANCES



The European directive 2012/19/EU on Waste Electrical and Electronic Equipment (WEEE), specifies that old household electrical appliances must not be disposed of with the normal unsorted municipal waste. Old appliances must be collected separately, in order to optimize the recovery and recycling of the materials they contain, and reduce the impact on human health and the environment.

The crossed out "wheeled bin" symbol on the product reminds you of your obligation to dispose of the appliance correctly. If the product has a built-in battery or uses batteries, they should be removed from the appliance and disposed of appropriately.

Consumers must contact their local authorities or retailer for information concerning the correct disposal of old appliances and/or their batteries.

8. TECHNICAL SUPPORT AND WARRANTY

This product is under warranty for 2 years from the date of purchase, as long as the proof of purchase is submitted, the product is in perfect physical condition, and it has been given proper use, as explained in this instruction manual. The warranty will not cover the following situations:

- The product has been used for purposes other than those intended for it, misused, beaten, exposed to moisture, immersed in liquid or corrosive substances, as well as any other fault attributable to the customer.
- The product has been disassembled, modified, or repaired by persons, not authorised by the official Technical Support Service of Cecotec.
- Faults deriving from the normal wear and tear of its parts, due to use.

The warranty service covers every manufacturing defects of your appliance for 2 years, based on current legislation, except consumable parts. In the event of misuse, the warranty will not apply.

If at any moment you detect any problem with your product or have any doubt, do not hesitate to contact Cecotec Technical Support Service at +34 963 210 728.