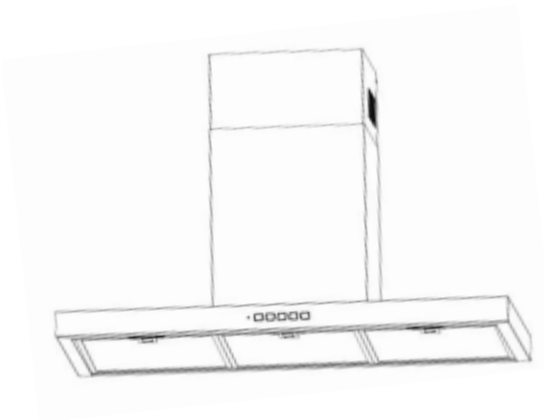


# vatti

T-BOX  
DECORATIVE COOKER HOOD

**INSTRUCTION MANUAL**



Model No: WT0960/ WT0990

Dear Customer,

If you follow the recommendations contained in this Instruction Manual, our appliance will give you constant high performance and will remain efficient for many years to come.

## **CONTENTS**

---

### **RECOMMENDATIONS AND SUGGESTIONS**

#### **CHARACTERISTICS**

#### **INSTALLATION & USE**

#### **MAINTENANCE**

## **RECOMMENDATIONS AND SUGGESTIONS**

---

### **INSTALLATION**

- \* The manufacturer will not be held liable for any damages resulting from incorrect or improper installation.
- \* Please read this instruction manual before installing and using this cooker hood. Properly keep this instruction manual in a safe place for future reference.
- \* This cooker hood can be used either in the Ducted Mode (ducting fumes to the outside) or in the Recirculation Mode (internal recycling). The choice of modes can be left to customers.
- \* Only a qualified and trained service technician can undertake the work of installation and servicing.
- \* Check that the mains voltage corresponds to the one indicated on the rating plate fixed inside the hood.
- \* Check that the domestic power supply guarantees adequate earthing.
- \* Do not connect the hood to exhaust ducts carrying combustion fumes (boilers, fireplaces, etc.)
- \* If the hood is used in conjunction with non-electrical appliances (e. g. gas burning appliances), a sufficient degree of aeration must be guaranteed in the room in order to prevent the backflow of exhaust gas. The kitchen must have an opening directly with the open air in order to guarantee the entry of clean air.

\* The minimum distance is 750mm from the cooker hood to a gas hob, and is 650mm to an electric hob. If the installation instructions for gas hobs specify a greater distance, this must be taken into account.

**NOTICE:** Considering excessive weight, two or more people are required to install or move this appliance. Failure to do so can cause physical injuries.

## **USE**

\* The cooker hood has been designed only for domestic use to eliminate kitchen fumes.

\* Never use the hood for purposes other than what it has been designed for.

\* Never leave high naked flames under the hood when it is in operation.

\* Adjust the flame intensity to direct it onto the bottom of the pan only; making sure that it does not engulf the pan sides.

\* Deep fat fryer must be continuously monitored during use: overheated oil can burst into flame.

\* The hood should not be used by children or person not instructed in its correct use.

## **MAINTENANCE**

\* Proper maintenance of the Range Hood will assure proper performance of the unit.

\* Disconnect the hood from the main supply before carrying out any maintenance work.

\* Clean and/or replace aluminum grease filters and activated charcoal filters after specified period of time.

\* Clean the hood using a damp cloth and a neutral liquid detergent.

\* **DISPOSAL:** Do not dispose this product as unsorted municipal waste. Collection of such waste separately for special treatment is necessary.

## **WARNING!!**

In certain circumstances electrical appliances may be a danger hazard.

\* Do not check the status of the filters while the cooker hood is operating.

\* Do not touch the light bulbs after appliance use.

\* Do not disconnect the appliance with wet hands.

\* Avoid free flame, as it is damaging for the filters and a fire hazard.

\* Constantly check food frying to avoid that the overheated oil may become a fire

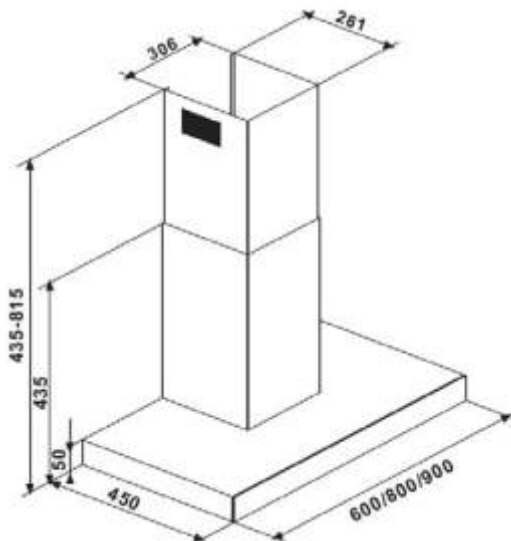
hazard.

- \* Disconnect the electrical plug prior to any maintenance.
- \* Children don't recognize the risks of electrical appliances. Therefore use or keep the appliance only under supervision of adults and out of the reach from children.
- \* Don't use this product outdoor.
- \* This appliance is not intended for use by persons (including children) with reduced physical, sensory or mental capabilities, or lack of experience and knowledge, unless they have been given supervision or instruction concerning use of the appliance by a person responsible for their safety. Children should be supervised to ensure that they do not play with the appliance.
- \* There shall be adequate ventilation of the room when the range hood is used at the same time as appliances burning gas or other fuels.
- \* There is a fire risk if cleaning is not carried out in accordance with instructions.
- \* Do not flambé under the range hood.
- \* The discharge air must not be discharged into a flue which is used for exhausting fumes from appliances burning gas or other fuels.

## **CHARACTERISTICS**

---

### **DIMENSIONS**



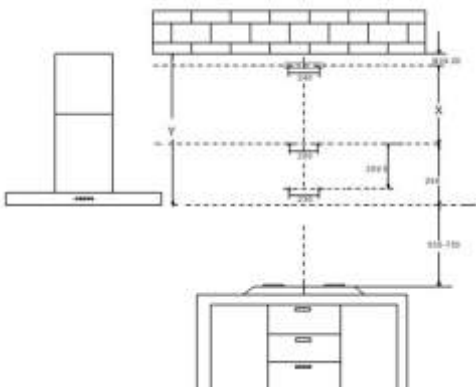
## **INSTALLATION & USE**

Note 1: On stainless steel hoods, carefully remove the plastic protective film from all exterior surfaces of the hood and chimney prior to final installation.

Note 2: At least two people will be required to mount the hood.

### **WALL DRILLING AND BRACKETS FIXING**

1. Draw a vertical line on the supporting wall up to the ceiling, or as high as practical, at the centre of the area in which the hood will be installed.
2. Draw a horizontal line at 650mm above the electric hob or 750mm above the gas hob.
3. Place chimney mounting brackets on the wall as shown about 20mm from the ceiling or upper limit aligning the centre (notch) with the vertical reference line.
4. Mark the wall at the centre of the holes in the bracket.
5. Mark two hood mounting screw holes on the wall as shown 268mm above the bottom surface of the hood.
6. Mark two holes on the wall as shown 209.5mm below the hood mounting screw holes for fixing the hoods body.
7. Drill  $\phi 10$ mm holes at all the centre points marked.
8. Insert the screws and drywall anchors to the wall



### **MOUNTING THE HOOD**

1. Hook the body onto the hood mounting screws.
2. Balance the hood body and tight the mounting screws.



### **DAMPER (FLAPS) FIXING**

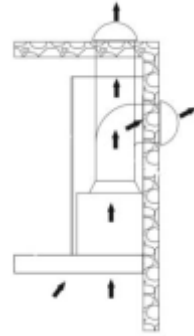
1. Fix the damper (flaps) into the air outlet adapter.
2. To be sure that the damper (flaps) is locked well on the air outlet adapter, it should be flexible in opening and closing.

## **CONNECTIONS**

### **Ducted mode air exhaust system**

Caution: To reduce the risk of fire, use metal ductwork is preferred.

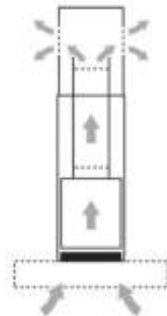
1. Decide where the ductwork will run between the hood and the outside.
2. A straight, short duct run will allow the hood to perform most efficiently.
3. Long duct runs, elbows, and transitions will reduce the performance of the hood. Use as few of them as possible. Larger ducting may be required for best performance with longer duct runs.
4. Attach an adequate length of  $\phi$  150mm round duct to the air outlet adapter.
5. The air must not be discharge into a flue that is used for exhausting fumes from appliances burning gas or other fuels" "Regulations concerning the discharge of air have to be fulfilled.
6. Install a roof/wall cap. Connect round metal ductwork to cap and work back towards hood location. Use duct tape to seal the joints between ductwork sections.



### **Recirculation Mode**

Caution: Do not use plastic or rigid metal ducting.

1. Determine the length of the compressed flexible aluminum ducting. Attach an adequate length of  $\phi$  150mm round duct to the air outlet adapter.
2. Install the charcoal filter on.
3. Please note that the air will flow out from the two grids on the sides of the decorative chimney top.



### **Electrical Connection**

\* Electrical wiring must be done by a qualified person(s) in accordance with all applicable codes and standards. **Turn off electrical power at service entrance before wiring.**

\* If the supply cord is damaged, it must be replaced by the manufacturer, its service agent or similarly qualified persons in order to avoid a hazard.

\* Do not use the plug and an extension cord other than the ones initially supplied with the hood.

\* The earthing of this hood is compulsory. Do not remove ground prong of the plug.

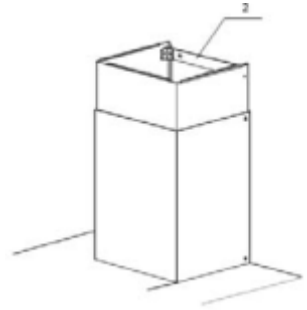
## **TELESCOPIC CHIMNEY COMPRISING ASSEMBLY**

### **Decorative Chimney Bottom**

Carefully slide the decorative chimney bottom down outside the decorative chimney top. Carefully place the decorative chimney bottom into the recessed area of the hood body top then secure the chimney to the chimney bracket which is well fixed on the wall with screws.

### **Decorative Chimney Top**

Raise the decorative chimney top up inside the decorative chimney bottom. Secure the decorative chimney top to the chimney mounting bracket that is well fixed on the wall with the two chimney bracket screws supplied from two sides.



## **OPERATION OF CONTROLS**

### **SOFT TOUCH CONTROL SWITCH**

The hoods may be operated using the soft touch control on the front panel.

The lights switch turns the lamps on and off.

The blower switch turns the blower on to three speed settings:

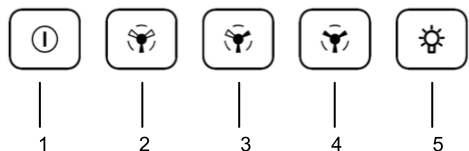
1 – ON/OFF

2 – LOW SPEED

3 – MEDIUM SPEED

4 – HIGH SPEED

5 – LIGHT



The hoods may be operated using the metal touch control on the front panel.

The lights switch turns the lamps on and off.

The blower switch turns the blower on to three speed settings:

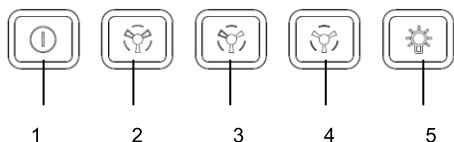
1 – ON/OFF

2 – LOW SPEED

3 – MEDIUM SPEED

4 – HIGH SPEED

5 – LIGHT



The hoods may be operated using the push button on the front panel.

The lights switch turns the lamps on and off.

The blower switch turns the blower on to three speed settings:

1 – ON/OFF

2 – LOW SPEED

3 – MEDIUM SPEED

4 – HIGH SPEED

5 – LIGHT



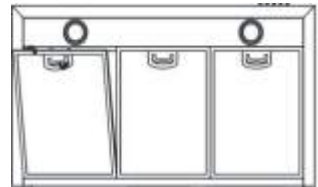
## MAINTENANCE

### GREASE FILTER

\* The grease filters should be cleaned frequently (every two months of operation, or more frequently for heavy use). Use a warm detergent solution.

\* Grease filters are washable.

1. Remove the grease filter one by one by pulling out each latch. This will disengage the filter from the hood. Tilt the filter downward and remove.
2. Wash the filters, taking care not to bend them. Allow them to be dry before refitting.
3. When refitting the filters, make sure that the handle is visible from the outside.
4. To install the grease filter, align rear filter tabs with slots in the hood. Pull out the latch, push filter into position and release. Make sure the filter is securely engaged



### NON-DUCTED RECIRCULATION CHARCOAL FILTER

This filter is not washable, can not be regenerated, and should be replaced approximately every 3 months of operation, or more frequently in the case of heavy usage.

1. To install the charcoal filter, and lock it until the stop click is heard.
2. Install grease filter after charcoal filter is installed.





## **LED LAMP**

This range hood require LED lamps (DC 12V, 2x2W Max)

Lamp are long life LED lamps and should not require service. If there is an issue with lamp, please contact the Service Center. This LED lamp should be replaced with qualified person.

**WARNING:** Always switch off the electrical supply before carrying out any operation on the appliance.

## **HOOD CLEANING**

Stainless steel is one of the easiest materials to keep clean. Occasional care will help preserve its fine appearance.

Cleaning tips:

- \* Hot water with soap or detergent is all that is usually needed.
- \* Follow all cleaning by rinsing with clear water. Wipe dry with a clean, soft cloth to avoid water marks.
- \* For discolorations or deposits that persist, use a non-scratching household cleanser or stainless steel polishing powder with a little water and a soft cloth.
- \* For stubborn cases use a plastic scouring pad or soft bristle brush together with cleanser and water. Rub lightly in direction of polishing lines or “grain” of the stainless finish. Avoid using too much pressure that may mar the surface.
- \* Do not allow deposits to remain for long periods of time.
- \* Do not use ordinary steel wool or steel brushes. Small bits of steel may adhere to the surface causing rust.
- \* Do not allow salt solutions, disinfectants, bleaches, or cleaning compounds to remain in contact with stainless steel for extended periods. Many of these compounds contain chemicals that may be harmful. Rinse with water after exposure and wipe dry with a clean cloth.
- \* Painted surfaces should be cleaned with warm water and mild detergent only.

