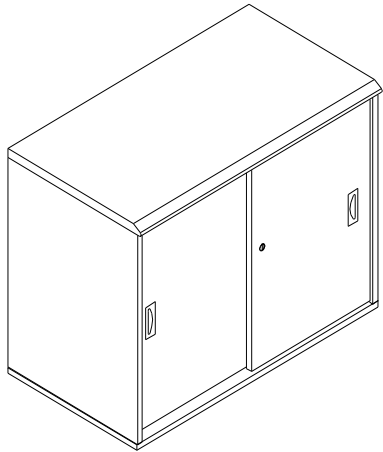
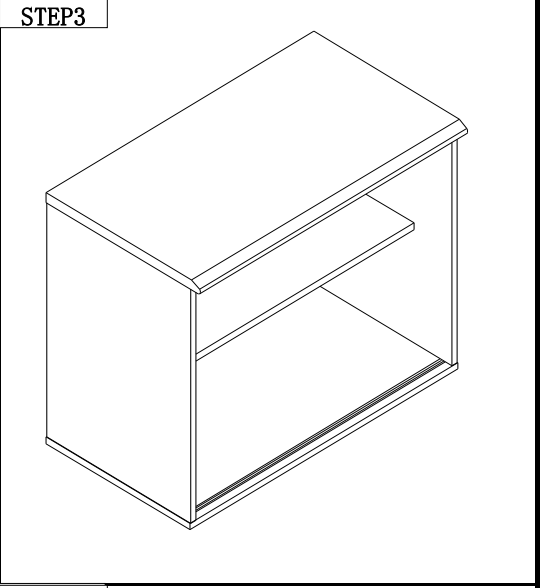
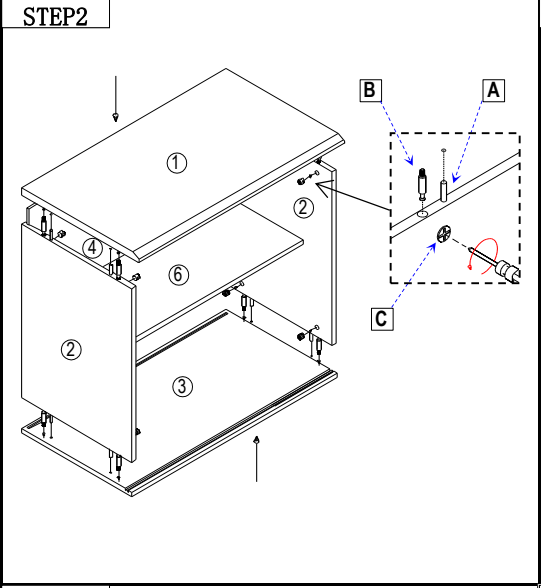
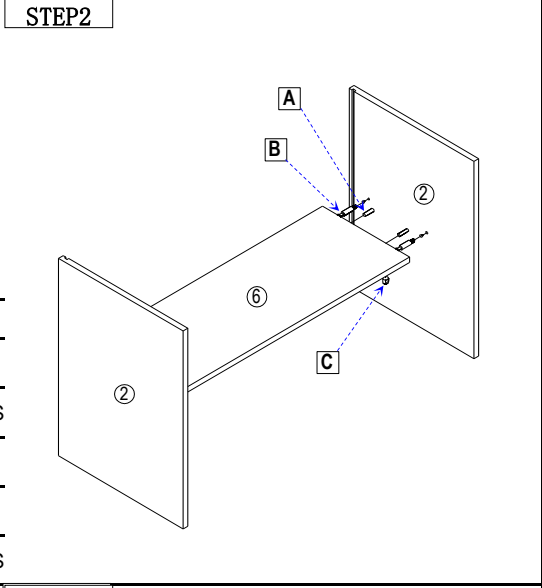


MODEL : BD 888S
 DIMENSION : 800W x 410D x 800mmH
 DESCRIPTION : SWINGING DOOR CABINET

ASSEMBLY INSTRUCTION



A	B	C	D	E	F	G	H	I	J	K	
12 PCS	12 PCS	12 PCS	1 PC	4 PCS	34 PCS	PCS	PCS	PCS	PCS	PCS	PCS



	BOARD NAME	DIMENSION
①	Table top	840 x 410 x 25 =1PC
②	side panel	759 x 388 x 16 =2PCS
③	bottom panel	796 x 389 x 16 =1PC
④	back panel	772 x 769 x 9 =1PC
⑤	wood door	751 x 389 x 16 =2PCS
⑥	move shelf	762 x 300 x 16 =1PC

