

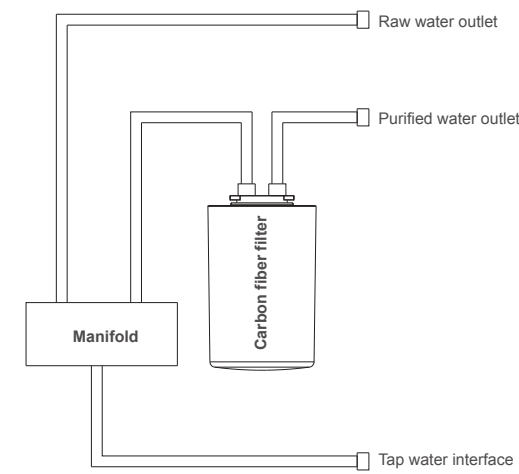
## User Guide Water Purifier

### Troubleshooting

Abnormal condition	Possible causes	Solutions
Main unit head leaks	Is it properly installed on the faucet?	Re-install
	Is front end of the faucet aging?	Repair the faucet
	Is the seal aging?	Change the seal
Water pipe port leaks	Is the water pipe firmly connected?	Reconnect correctly
Main unit body leaks	Is the cartridge hose securely connected?	Reconnect correctly
	Water purifier main unit machine whether there is water?	Please wipe with a dry towel
Main unit head leaks	Is the head lock hose nut tight?	Reconnect correctly
	Is the main unit head seal washer damaged?	Change the seal
The flow of raw water is less and not uniform	Is there any dirt in the filter screen?	Please rinse with a clean toothbrush disinfected in hot water.
	Is raw water outlet clean?	
Flow of purified water is less	Is the water supply hose bent?	Please restore the water supply hose.
	It is possible that the filter is clogged.	Please replace the filter (the flow of water will be reduced when water pressure is low).
Smell	Is the filter in place?	Please carry out installation in the correct method.
	Is the filter in place?	Please replace the filter.

### Water treatment process map

MC122-2



### Filter configuration

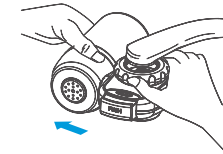
Filter name	Recommended life expectancy	Effect	Quantity
Carbon fiber filter	6-12 months	Efficient filtration of impurities in water, heterochrome, odor and residual chlorine	1 pc

### Basic parameters

Product model	MC122-2
Purified water flow	2L/min
Rated total purified water	1200L
Applicable water quality	Municipal tap water
Appearance difference	White body, blue trim strip
Work pressure	0.1-0.4MPa

### Filter replacement

1. Rotate the filter cartridge 90 degrees backward to remove the filter.



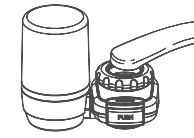
2. Open the filter cartridge cover, take out the old filter, peel off the new filter film, and reinstall the filter into the filter cartridge.



3. Insert the filter cartridge into the main unit interface and fix the filter after rotating it 90 degrees upward.



4. Complete.

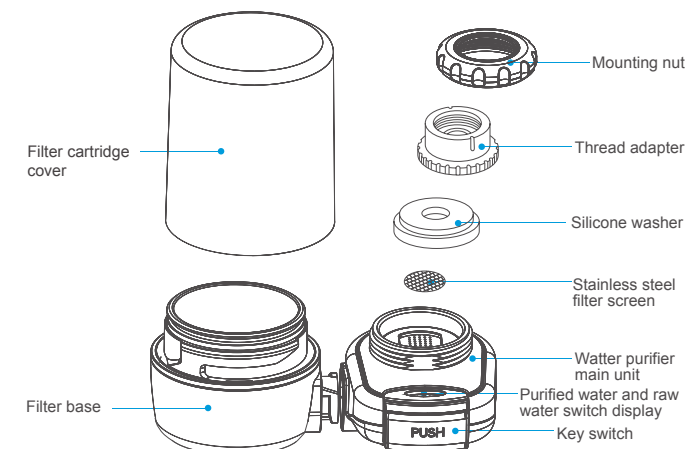


### Carbon Fiber Water Purifier MC122-2

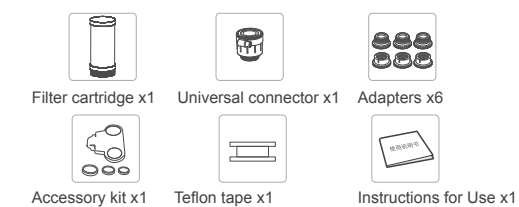
Foshan Midea Chunggho Water Purification Equipment Co., Ltd.  
2/2F, No.1 Workshop, 68 Guangle Road, Guangjiao Community Neighborhood Committee, Beijiao Town, Shunde District, Foshan City  
P.C.: 528311  
Http://www.midea.com

### Product profile

#### Product components



#### List of parts



### Installation precautions

Before using the water purifier, please read this Manual carefully and keep it for future reference.

- To avoid damage to your body, use municipal tap water;
- During initial use, please let the purified water flow for at least 60 seconds;
- Before use every day, please let the purified water flow for at least 10 seconds before use (to drain stagnant water);
- When the water purifier is not used for more than two days, please let the purified water flow for at least 60 seconds before use (to keep the water outlet clean);
- Please use "Contained Purified Water" as soon as possible. Because there is no residual chlorine in purified water, the bacteria may breed easily, put it into a clean container with a cover and store it in the refrigerator;
- Please do not touch the "Purified Water" outlet to avoid bacterial growth;
- If there is a lot of turbidity in tap water (e.g. the water tank is cleaned or tap water is not used for a long time, etc.), please allow the tap water to flow for some time before use of "purified water" to shorten the life of filter cartridge;
- This product is a household water purifier, please never use it for any purpose other than cooking or drinking;
- Never connect a special faucet to other machines such as gas water heaters to avoid damage to other machines;
- Please do not install the machine near flame or high temperature;
- When the flow of purified water becomes less, please replace the filter. The filter shall be replaced regularly;
- Please press slowly when adjusting the raw water and purified water buttons to avoid damage to the machine body;
- When used in areas with high water pressure, please turn down the water flow before using. In case of large flow of water, water purification capacity may be affected, and too high water pressure can cause damage and leakage. The conventional water pressure of the product is 0.1-0.4MPa;
- To avoid damage to the container, never freeze the product;
- When using "purified water", never use hot water exceeding 38 degrees. If hot water passes through the water purifier accidentally, there may be temporary smell in water sometimes;
- Do not plug the water outlet, or have it connected with other device to avoid damage to the water purifier body;
- Do not use steel balls, cleaning agents or aggressive liquids (such as gasoline or alcohol) for scrubbing. These substances may cause product rupture, scars, discoloration or deformation;
- Please do not disassemble the water purifier body and the filter (if there is any abnormality, please refer to the catalog, Page 9: Abnormal condition and troubleshooting).

### Precautions in use

- Some faucets can not be installed;  
Six adapters and 1 universal connector supplied with the water purifier may be easily mounted on majority of threaded faucets;  
Faucets that cannot be installed are: sprinkler pull-out faucets, faucets with rectangular or elliptical outlets, sensing faucets, or faucets in diameter out of 15-24mm with a throat depth less than 15mm;
- The replacement period of a filter may vary with water amount consumed, water quality and water pressure;
- It shall not be installed on a hot and cold faucet;
- The water purifier shall not be in a position exposed to direct sunlight, as this may cause deformation and discoloration;
- Hard water cannot be converted into soft water, and salt (sea water) or metal ions dissolved in water cannot be removed;
- The filter cartridge shall be cleaned and replaced on a regular basis.

### Installation method

Before installing the water purifier, make sure you have the required faucet mounting adapter.

Install Type A adapter for threaded faucets in diameter of 19.5mm, 21.5mm or 23.5mm.

- Remove the mounting nut from the main unit.
  - Remove the faucet bubbler, and select the appropriate adapter.
- 

- With the mounting nut facing up, attach the external thread adapter to the faucet.
  - Tighten the mounting nut to secure the body. Complete.
- 

Install Type B adapter for threaded faucets in diameter of 20.5mm, 21mm or 22.5mm.

- Remove the mounting nut from the main unit.
  - Remove the faucet bubbler, and select the appropriate adapter.
  - With the mounting nut facing up, attach the internal thread adapter to the faucet.
  - Tighten the mounting nut to secure the body. Complete.
- 

Install the universal connector for faucets in diameter of 15-24mm.

- Remove the faucet bubbler, and select the appropriate adapter.
  - With the mounting nut facing up, attach the internal thread adapter to the universal connector.
  - Put the universal connector into the faucet and tighten the steel rim with a screwdriver.
  - Tighten the mounting nut to secure the body. Complete.
- 

Install the water purifying filter.

- Open the filter cartridge cover, peel off the filter film and reinstall the filter into the filter cartridge.
  - Align the filter cartridge connector with the main unit interface.
- 

- Insert the filter cartridge into the main unit interface and fix the filter after rotating it 90 degrees upward.
  - Complete.
- 

### Instructions for use

After installation of the faucet, the tap water is opened, and the water purifier key is switched to the water purification level, with the filtered purified water discharged from the water outlet; after the water purifier key is switched to the raw water level, the unfiltered tap water is discharged from the raw water outlet.

