

The diagram above is just for reference. Please take the appearance of the actual product as the standard.

WATER PURIFIER

Instruction Manual

Model: JL1645T-Z

Before installing and operating your water purifier, please read the instruction manual carefully and keep it for future reference.

1.PRECAUTION

1-1 Safety Issues

Please note the following brief icons and rules for safe use of this product



Troubleshooting

When the machine fails, please disconnect the power and water source immediately



Maintenance

Never remove the parts on the machine to avoid leakage or damage



Avoid contact with children

Never have the machine operated by a child



Temperature

Please use the product in a dry place with the temperature of 4-43°C



Electricity prevention

To avoid leakage of electricity.



Accessories and filters

To maintain the normal operation of the machine, be sure to use accessories and filters supplied by original company



Emergency call

For any help, please call the local sale service center or the national service hotline



Correct repair service

This machine can only be repaired by qualified personnel designated by this company



Avoid direct sunshine

Do not install the machine in a place exposed to direct sunshine



Anti-freeze

Never store or expose the product in an environment less than 0°C

- 1.This appliance is not intended for use by persons (including children) with reduced physical, sensory or mental capabilities, or lack of experience and knowledge, unless they have been given supervision or instruction concerning use of the appliance by a person responsible for their safety.
- 2.Children should be supervised to ensure that they do not play with the appliance.
- 3.If the supply cord is damaged, it must be replaced by the manufacturer, its service agent or similarly qualified persons in order to avoid a hazard.
- 4.Do not store explosive substances such as aerosol cans with a flammable propellant in this appliance.
- 5.This appliance is intended to be used in household and similar applications such as staff kitchen areas in shops, offices and other working environments; farm houses and by clients in hotels, motels and other residential type environments; bed and breakfast type environments; catering and similar non-retail applications.
- 6.The appliance is suitable for indoor use only.
- 7.WARNING: Keep ventilation openings, in the appliance enclosure or in the built-in structure, clear of obstruction.
- 8.WARNING: Do not use mechanical devices or other means to accelerate the defrosting process, other than those recommended by the manufacturer.
- 9.The appliance must not be immersed.
- 10.WARNING: To avoid a hazard due to instability of the appliance, it must be fixed in accordance with the instructions.
- 11.This machine is applicable to the water environment with TDS value less than 250 in case of the high water hardness lead to incrustation even breakdown of the hot tank.
- 12.The appliance must not be cleaned by a water jet.

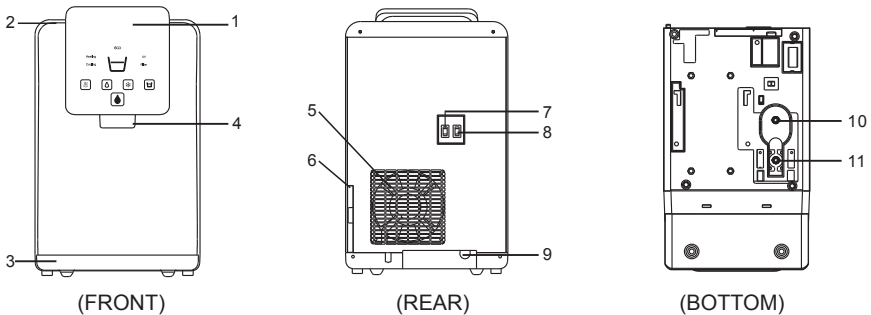
13. WARNING: Do not operate the UV-C emitter when it is removed from the appliance enclosure.
14. This appliance contains a UV-C emitter.
15. Unintended use of the appliance or damage to the housing may result in the escape of dangerous UV-C radiation. UV-C radiation may, even in little doses, cause harm to the eyes and skin.
16. Appliances that are obviously damaged must not be operated. the replacement of the UV-C emitter by the user is not allowed, the appliance is to be supplied through a residual current device (RCD) having a rated residual operating current not exceeding 30 mA.
 38°C±1 C on appliances of subtropical (ST) class.
 43°C ±1°C on appliances of tropical (T) class.

1-2 packing list

Packing box	Water Purifier (1 set) 1/4"PE pipe (3m)
Materials bag	User's Manual (1copy)
Materials bag	6/8"-2/8" connector(1PC)

2. YOUR DIRECT DRINKING WATER PURIFIER

2-1 Part Name of Water Purifier



NO.	PART NAME	NO.	PART NAME
1	Display screen	7	Cooling switch
2	Top cover	8	Heating switch
3	Drip tray	9	Water inlet
4	Water outlet	10	Cold water drainpipe lid
5	Fan	11	Hot water drainpipe lid
6	Dust gauze		

NOTE:

Please use the product in a place with temperature of 4-43°C and relative humidity less than 90%. TO enhance produce performance, product parts may be changed without notice.

2-2 Model and Major Parameters

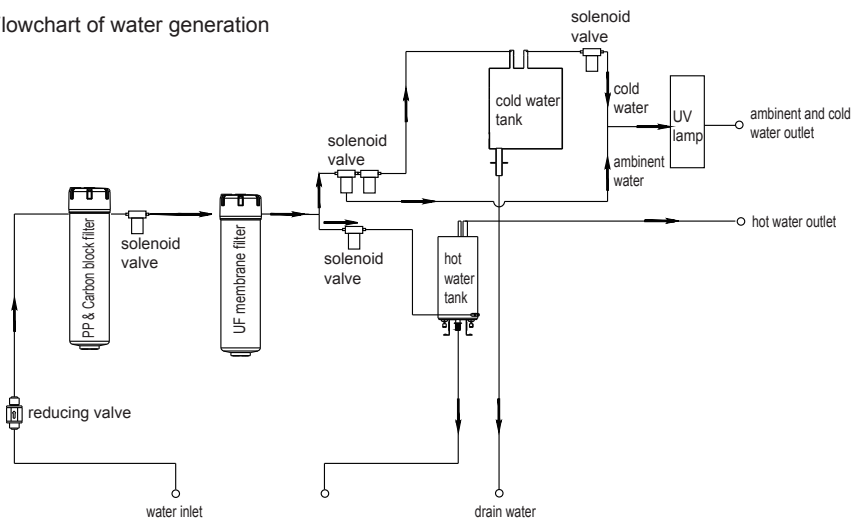
Model	JL1645T-Z
Rated power	555W
Heating power	420W
Cooling current	1.0A
Rated pure water flow	1.2L/min(0.3MPa)
Hot water capacity	4L/h($\geq 85^{\circ}\text{C}$)
Cold water capacity	3L/h($\leq 10^{\circ}\text{C}$)
Applicable environment	4-38 $^{\circ}\text{C}$ humidity $\leq 90\%$
Applicable water pressure	0.1-0.4MPa
Applicable water	Tap water
Stage 1	PP & Carbon block filter
Stage 2	UF membrane filter
Product size	260(W)x435(D)x425(H)mm
Packing size	322(W)x514(D)x510(H)mm

2-3 Product Features

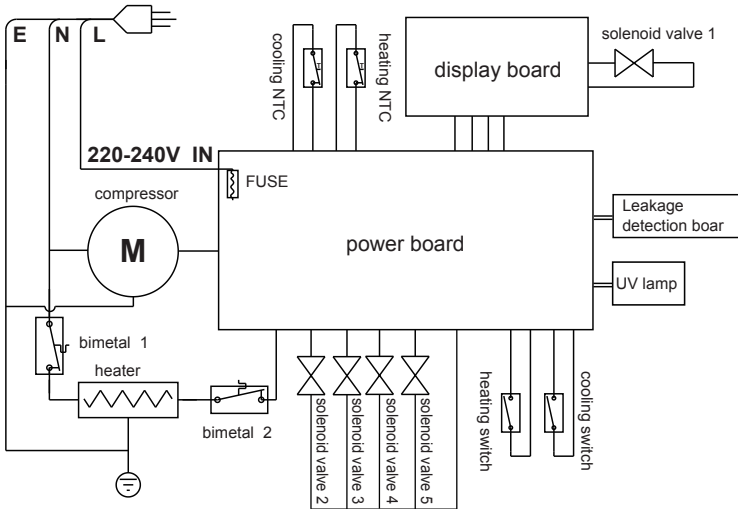
1. 3 Temperature Selection.
2. Filter life time reminder.
3. Post UV Sterilize water just before you drink.
4. ECO Mode automatically power off the heating and cooling system at night by SMART detector.
5. Fixed water volume function. Set your hands free
6. PP & Carbon filter reduces odor, chlorine, smell
7. UF filter reduce Colloid, Organism, bacteria.
8. Compressor for cooling: adopt stable, high-efficiency and low noise compressor.

2-4 Working principle

1. Flowchart of water generation



2. Circuit diagram



2-5 Filter function introduction

Stage	Filter	Function
Stage 1	PP & Carbon block filter	Carry out coarse filtration of original water, and filter out mud, sand, impurity, iron rust and suspension, etc. Absorb unusual colors and odors, Remove residual chlorine and organic substances in water.
Stage 2	UF membrane filter	Remove bacteria, iron rust, colloids and impurities in water

3. Use Guide and Maintenance

WARNING: Please cut off water source before replacing filters. Never plug filters in water running state.

3.1 Guidance on Unpacking and Installation

1. Open the top of the packing case, take out the top foam and its accessories.
2. Put the accessories aside.
3. Unpack the product, install the water collector.
4. Before installation, To study the use of the quick connector.

Connect the tubing

The system includes push-in fittings for quick tubing connection. Review the following instructions before connecting the tubes in the next step.

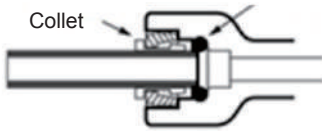
Cut tube to length:

- 1) Use a sharp cutter or knife to cut the end of tubing. Always cut the tubing square.
- 2) Inspect the end (about 30 mm) of the tubing to be sure there are no nicks, scratches or other rough spots. If needed, cut the tubing again.

Connect tubes:

- 1) Push tubing through collet until it engages the o-ring. Continue pushing until the tube bottoms out against the back of the fitting. A common mistake is to stop pushing when the tube engages the o-ring. This will lead to future leaks. When a 3/8" tubing is fully engaged, 20 mm of the tube has entered the fitting (Figure 4).
- 2) If using tubing other than that supplied with the system, be sure it is of high quality, exact size and roundness with a smooth surface.

Tube partially engaged with fitting



Tube fully engaged with fitting

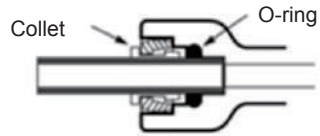
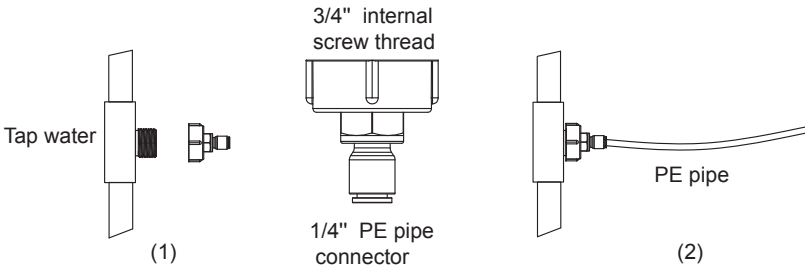


Figure4

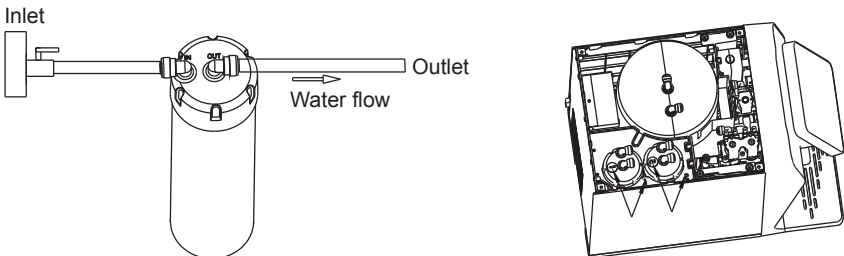
Disconnect tube:

- 1) Push the collet inward with finger tips and hold it.
- 2) Pull the tubing out.

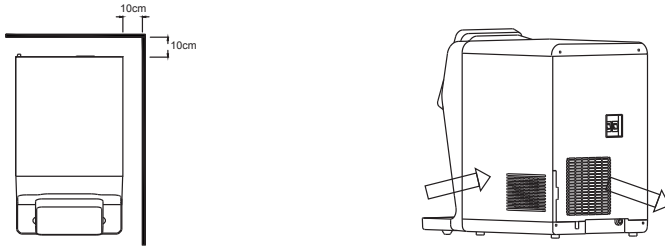
5. Take out the quick joint, and install it on the water pipe.



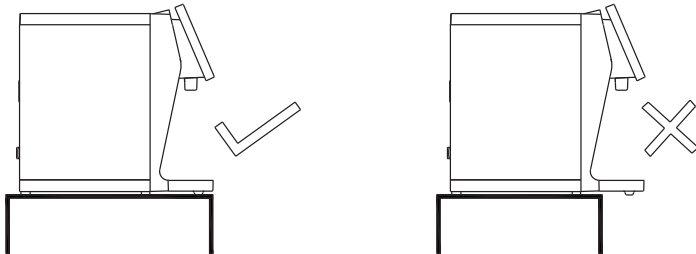
6. Filter should be cleaned for the first use. Remove the top cover, take out the filter and then connect to PE tube (press IN for let water in, OUT for outlet water). Turn on the faucet to flush the filter for 10 minutes, and then install it back to the machine, and placed the filter according to the serial number.



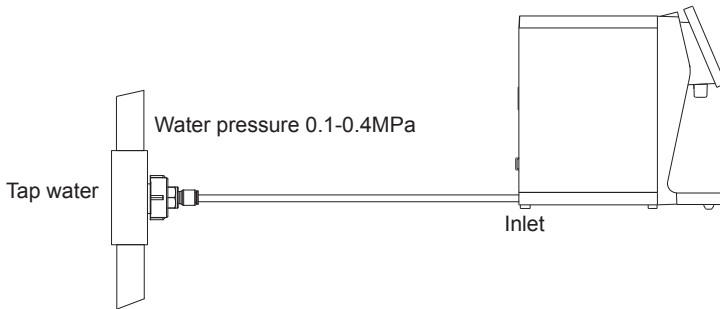
7. When installing the machine, please pay attention to the installation dimension in case of the blocking of air inlet and outlet.



8. Drip tray cover must be properly placed inside the machine. No suspending in midair in case of falling off.



9. Take out the pin of the quick joint at the rear of the product's base plate, and then take out the blue plug.



- 10. Insert the water inlet PE pipe in the quick joint, and tighten the pin.
- 11. The water cooler plug cord into a ground fault interrupter receptacle.
- 12. When installing filter and replace filter please turn off the water and power supply before installation and replacement.
- 13. After installing ,supply power, and begin to use the Water purifier.

3-2 Using The Product

Start up

1. Power on, start to use the product.
2. When using it for the first time, press the cold water output and hot water output buttons till discharging cold water and hot water from the faucet, ensure to remove the air from the hot tank and cold tank, ensure the dry burning indicator of the product is under normal state.
3. After step 2, then turn on the heating and cooling switches on the rear side according to the actual requirement, start the heating and cooling functions, the green one is the cooling switch and the red one is the heating switch.

Control Panel



Icon	Decription	Icon	Description
	Hot Water Button. Touch the Hot Water Button, this icon lights up, It means you Select the hot water.	Heating	Heating Indicator When heating, the heating icon is on, after heating or when the product is not heating, it is off.
	Ambient Water Button. Touch the Ambient Water Button, this icon lights up, It means you Select the ambient water.	Cooling	Cooling Indicator When cooling, the cooling icon is on, after cooling or when the product is not cooling, it is off.
	Cold Water Button. Touch the Cold Water Button.,this icon lights up, It means you Select the cold water.	UV	UV Working Indicator When the UV sterilizing is enabled, UV icon turns on.
	Quantitative Water Output Button. Touch the Quantitative Water Output Button, this icon lights up, It means you Select the the quantitative water output function.	Filter	Filter Life Indicator When the filter life is not expired, the indicator is on; after the filter life expires, the indicator flashes.
	Taking Water Button Press this button to get water.		After power on, the Cup icon keeps on.
eco	ECO Button. Touch to turn on / off Eco Mode in which the heating and cooling function is disabled and energy is being saved.		

After power on, the Cup icon keeps on Operation Requirements Instructions

1 taking water function

1.1 Water output after selecting water temperature

Press the water temperature button, corresponding indicator turns on, within 5s, press the "Taking Water button" to output water (5s later, the water temperature selection will automatically switch to ambient water), during the water output process, press the "Taking Water" button again, the

indicator turns off, and the product stops outputting water. After stopping water, the water temperature selection automatically switches to “Ambient Water” 5s later. During the water output process, the Water Temperature Selection button and the Quantitative Water Output button are unavailable.

1.2 Quantitative water output after selecting water temperature

Select the Water Temperature button, corresponding indicator turns on, then select the Quantitative Water Output button, Quantitative Water Output indicator turns on, within 5s, press the “Taking Water” button to output water, after outputting water for 10S, the water output is automatically stopped, the Quantitative Water Output indicator turns off. During the water outputting process, press the “Taking Water” button again to stop outputting water, the Quantitative Water Output indicator turns off. After stopping water, the water temperature selection automatically switches to “Ambient Water” 5s later. During the water output process, the Water Temperature Selection button and the Quantitative Water Output button are unavailable.

2 ECO Function

Under the state that ECO function is enabled, if it detects that the light diminished, it will turn off the heating and cooling function. If it detects that the light turned bright, the heating and cooling function will be recovered automatically.

3-3 Filter Replacement Cycle

PP&Carbon block filter	UF membrane filter
6-12 month	18 month

Special hints:

The data above are for references only. It is based on 10 L per daily drinking water. The specific cycle for replacement of filters varies with local water quality and water amount consumed. while the "Filter" is twinkling, it indicates the filter should be changed as the schedule. After you replace new cartridges, please long press "ECO" button until "Filter" stops twinkling to reset the filter indicator.

3-4 Maintenance

1. Keep this machine in a dry and cool place and avoid direct sunshine. Never put the machine on paper or foam, which may store water and then cause creepage. Never put anything flammable beside this machine. Do not use the machine outdoors or in a place that can be splashed by water.
2. For the water purifier, the installation and replacement of filters must be carried out by qualified personnel.
3. In case the machine is not in use for a long time, turn off the heating switch or the refrigerating switch to save power.
4. In case the machine is not needed for a long time, please take off the plug, turn off the water inlet and drain off the remaining water through the outlet. Before drain off the remaining water, please turn off the Cooling switch and the Heating switch and taking out hot water form water outlet. After that, please pull the plug and then drain off the remaining water. When drain off the cold tank water, it can accelerate the draining speed by taking off the top cover and pull out the cold tank quick connector. For another use, discharge water for 10 min, In the event that the machine is blocked by ice due to the environment below ice point, keep the refrigerating switch closed for 4 hours and then turn it on continue the operation.
5. In case the water supply is cut off, please close the feed water ball valve and cut off the power. After water re-supply, please open the other faucets to discharge sediment and then turn on the feed water ball valve.

6. The machine must use an earthed three-pin socket and a reliable creepage protection switch.
7. Never use organic solvents such as gasoline to clean the machine; strictly prohibit washing the machine with water or splashing water to the machine.
8. Never turn on (off) the machine by inserting the plug into (pulling the plug out from) the socket. Never increase the length of the supply cord to avoid fire.
9. If the supply cord is damaged, it must be replaced by the manufacturer or qualified person so as to avoid a hazard.
10. The water source for the water purifier is civil tap water.
11. Never dismantle spare parts of the machine to avoid water leakage or damage.
12. Never turn the machine upside down or lean it more than 45° when moving it so as to avoid any damage to it or any accident.
13. Limited warranty: electrical components and water system are warranted for 12 months from date of purchasing.

3-4 Troubleshooting

In case of failure, please carry out inspection according to the requirements below. If unresolved, please contact the local service agency.

Failure	Cause	Solution
Small water flow	Low water pressure	Check the tap water
	Filter not replaced in time, beyond the use time	Please contact the local service agency to replace the filter
Unsuitable water temperature	Over consumption of water in a short time	Just wait a moment, and water is available again
	Power supply not put through	Switch on power supply
	Corresponding functions not started	Press a corresponding function key to start the function
Water leakage	Pipe not connected properly	Inspect the connector to connect the pipe properly
	Water pipe and PE pipe bursting	Replace the water pipe and PE pipe
"△" light flashing	There should be leakage.	Check the PCB on the base plate. Repair the machine and dry the PCB, and then power on again.
Electric leakage	Machine in poor contact with ground	Use a three-pin socket with earth wire, making the machine grounded properly
Noisy operation	Not installed steadily	Place the machine on a steady & solid surface
Machine fails to run	Power supply not put through	Switch on power supply

It is a normal state that the following circumstances occur when the water purifier is used.

1. During the heating, the heating tube may generate slight noises. This is a normal state.
2. When the heating tank is being heated without water, the anti dry-burning device will disconnect automatically and can not reset by its own. The reset must be completed by a professional technician. The design is in accordance with the national safety requirements.
3. When an ambient temperature is higher, the cooling capacity may be slower, which is a normal state.

The product is subject to change without notice.
Please keep this manual properly.

**Foshan Midea Chunggho Water purification
Equipment Co., Ltd**

No.68 GuangLe Road, BEIJIAO, SHUNDE, FOSHAN,
GUANGDONG, R.P.CHINA