

The diagram above is just for reference. Please take the appearance of the actual product as the standard.

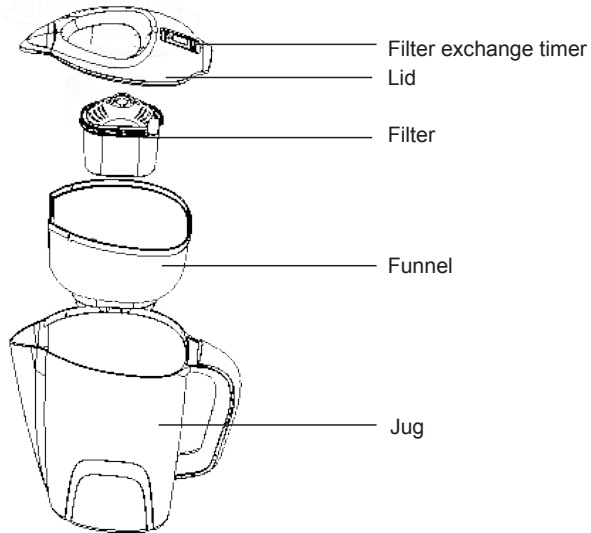
WATER FILTER JUG

Instruction Manual

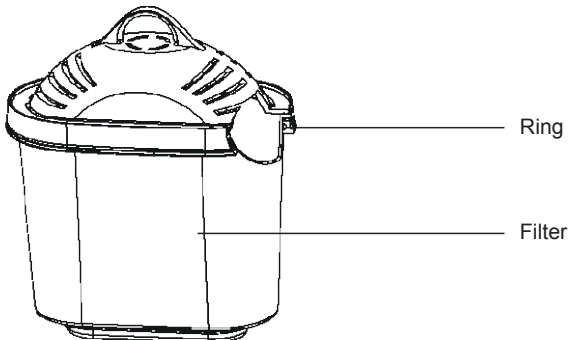
Model: QC1548

Before installing and operating your water purifier, please read the instruction manual carefully and keep it for future reference.

A: PART NAME



B: INSTRUCTION OF FILTER



1. Rated Service Flow: 0.1L/min
2. Model number of Replacement filter: MP I Cartridge
3. Where to get replacement component: Contact the seller

C. LIFETIME OF FILTER

The lifetime of filter depends on local water quality, such as water hardness.

To keep the intended performance, we recommends to exchange your water filter, approximately once every 8 weeks for an average family (about 150L water).

To remind you of the next filter change, water filter jug is equipped with a filter exchange timer.

To ensure that you get the intended results from the water filter, please follow the instructions carefully.

1. Lid funnel and jug

Cleaning the lid funnel and jug before first use and every filter exchange, but the max water temperature is 38°C.

2. Preparation of the filter

Remove the protective wrapper from the filter, First, the cartridge is immersed in a container filled with pure water for 20 minutes. Then replace the water, Shake and flushing in a container filled with pure water for about 10 minutes until no black water leave. At last, install the cartridge into the water filter, filter and flush with pure water for one hour. (pure water=Reverse osmosis water)

Note: the ring must be the right position in the filter.

3. Insert the filter

Before insert the filter, it is sure the ring just be right position in the funnel.

Place the filter into the funnel and push downwards (FIG.1) until it is positioned firmly and no water seepage (FIG.2).

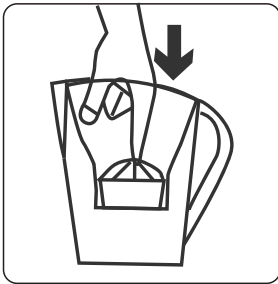


FIG.1

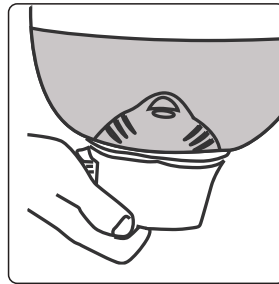


FIG.2

4. Filling of the water filter jug

Fill your water filter directly under the tap with cold water, when the water in the funnel is about 90%, stop filling.

5. Cleaning the filter

Before drink the filter water, the first two fillings must be discard.

6. Filter exchange timer adjustment

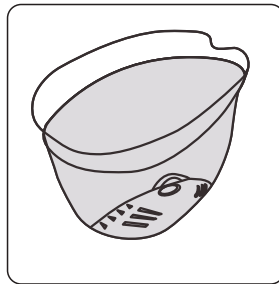
The timer is in the lid of water filter jug.

To ensure a constant performance and the hygienic impeccability of the filter, we recommends to exchange it every eight weeks.

Before you drink the filter water, press "START" button for approx three seconds until all four bars appear in the display. A small flashing dot at the button right corner of the display shows the timer is working. Each bar refers to a lifetime of approx. two weeks. After each two weeks one bar will disappear to shows the remaining filter life.

7. Exchange of the filter

Pull the ring on the top of the filter, follow the instructions from step 1 to 6.



D: IMPORTANT NOTES

1. Ideal use

Do not expose your water filter to direct sunlight. Keep your water filter away from heating elements, store your water filter in a shady, cool place.

1) Filtered water is dedicated for human consumption only. It is a perishable drinking water and such please consume it within one day.

2) Over the lifetime of the water filter you may notice limescale build-up on the water inlet of the lid. This is due to the fact that it always comes into contact with unfiltered water which contains carbonate hardness (limescale).

We recommend that you clean and descale your lid.

3) Should your water filter not be in use for a prolonged period (e.g. holiday), we recommend that you discard any water left inside the water filter.

4) If your water filter has been in contact with food that is likely to cause discoloration (e.g. tomato) clean your water filter.

2. Optimum performance

Please filter municipal tap water

3. Filter first, and then boil

For certain groups of people (e.g. patients and babies), it is generally recommended that filtered water should be boiled.

4. Natural traces

Like each other product, because of abrasion, it leads to small carbon into your filtered water, noticeable as black bits. They will not harm the human body. In case you observe carbon particles, we recommend to flush the filter several times or until the black bits disappear.

Statement:

- a. The system and installation shall comply with applicable state and local regulations.
- b. Do not use with water that is microbiologically unsafe or of unknown quality without adequate disinfection before or after the system.
- c. The product is subject to change without notice.
Please keep this manual properly.

The product is subject to change without notice.
Please keep this manual properly.

**Foshan Midea Chungho Water purification
Equipment Co., Ltd**

No.68 GuangLe Road, BEIJIAO, SHUNDE, FOSHAN,
GUANGDONG, R.P.CHINA