
VACUUM CLEANER

OPERATION INSTRUCTIONS MANUAL

VCS38A13L



Jiangsu Midea Cleaning Appliances Co.,Ltd

No.39 Caohu Avenue, Xiangcheng Economic
Development Zone, Suzhou , Jiangsu Province, 215131, P.R.C
<http://www.midea.com/global>



Please read this Instruction Manual carefully before operating, and keep it properly.

Contents

Safety Introduction	2
Product Introduction	4
Product Operation	6
Product Maintenance	8
Trouble Shooting	11

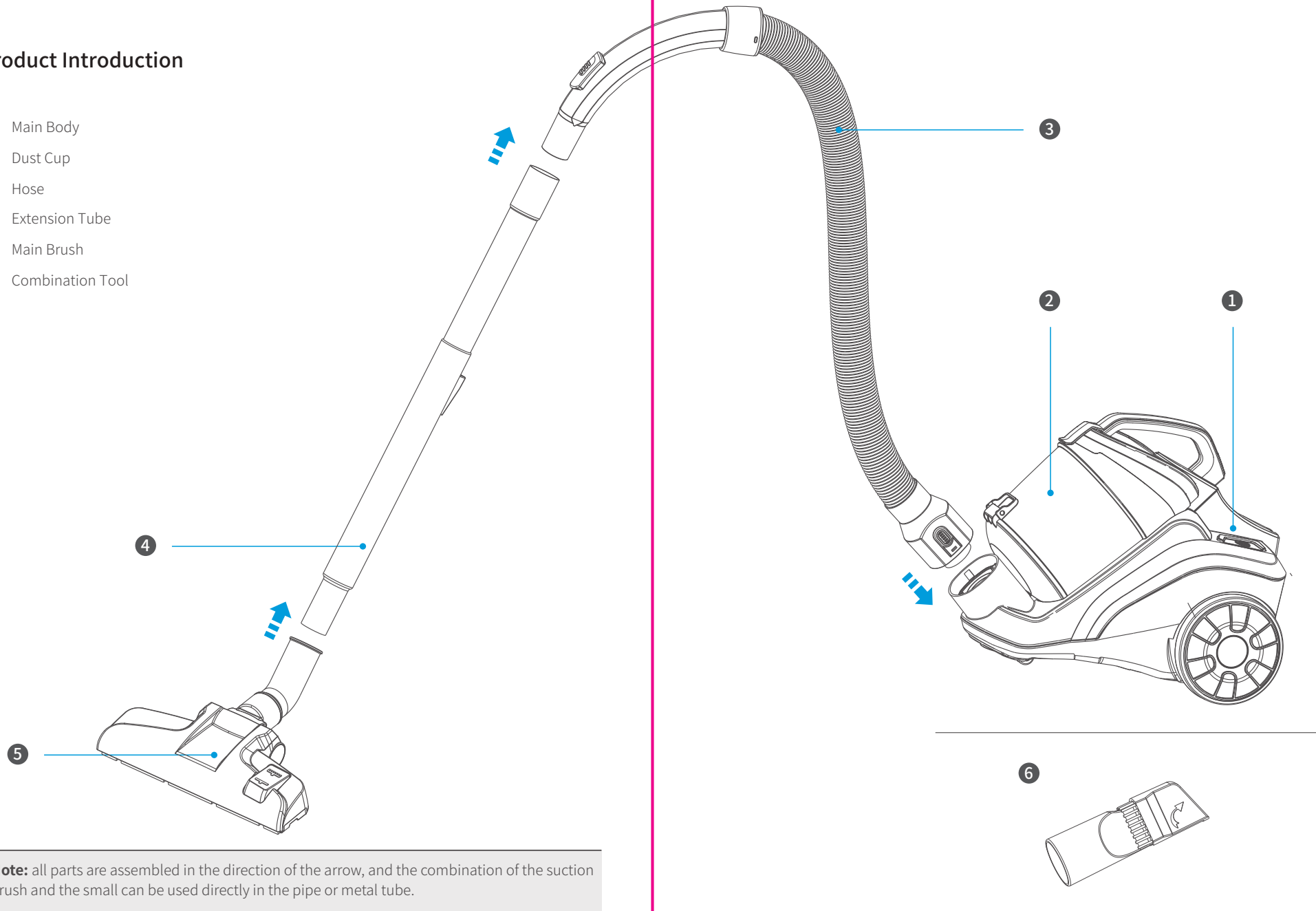
Safety Introduction

1. Do not place the vacuum cleaner close to heat sources, radiation, or burning cigarette, Do not use the appliance to remove the following objects:
 - All liquids such as water and solvents.
 - Lime, cement, ash and other construction dust and garbage.
 - Hot objects, such as cigarette butts.
 - Sharp objects, such as glass shards, etc.
 - Inflammable and explosive articles, such as gasoline or alcohol products.
2. Do not let children play with or operate the vacuum cleaner to prevent accidents.
3. Your vacuum cleaner is an electric appliance: It must be used appropriately.
4. Do not leave the operating vacuum cleaner unattended.
5. The power must be turned off during cleaning, maintenance or when in storage.
6. Do not pull the power plug to turn off the vacuum cleaner. Hold the plastic part of the plug to remove it from the power socket.
7. The power supply voltage must correspond to that of the vacuum cleaner charging voltage.

8. Keep the power cord away from sharp objects to prevent it from being damaged.
9. To prevent fires do not immerse the vacuum cleaner in water, do not expose it to any heating appliances.
10. Do not drag the power cord when moving the charging station.
11. In the case of below situations do not use the vacuum cleaner and send it immediately to the nearest approved maintenance facility if:
 - The vacuum cleaner fell and consequently damaged.
 - The power cord is damaged.
12. Stop operating the vacuum cleaner if the suction inlet is blocked to prevent damages (such as overheating) to the motor or deformations to the vacuum plastic parts occasioned by overheating motor.
13. Do not press the dust cup button during handling to prevent the machine from falling off.

Product Introduction

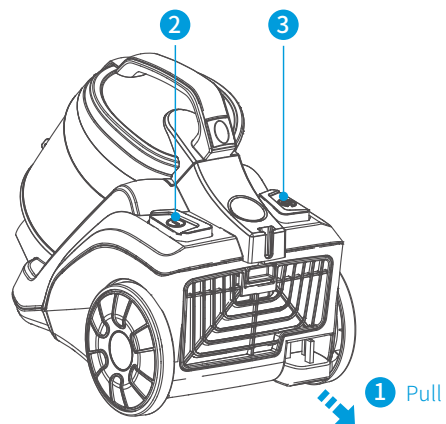
- ① Main Body
- ② Dust Cup
- ③ Hose
- ④ Extension Tube
- ⑤ Main Brush
- ⑥ Combination Tool



Note: all parts are assembled in the direction of the arrow, and the combination of the suction brush and the small can be used directly in the pipe or metal tube.

Product Operation

Product use



01. Pull out the power cord to connect the power supply:

When you see the red mark on the power cord, do not pull out the cord outward.

02. Press the ON/OFF button:

Control the start and stop of the vacuum cleaner.

03. Press the receiving button:

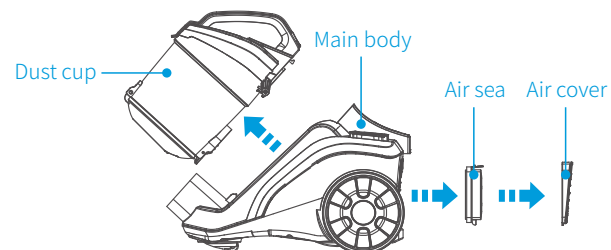
the power line is automatically rolled back into the fuselage.

Caution

Please slowly take up the cord, to avoid the power cord or power plug bruising human body or furniture in the process of taking up.

04. Machine dismantlement:

Dust cup, main body, air sea and air cover can be disassembled, convenient to clean and replace with loss accessories.



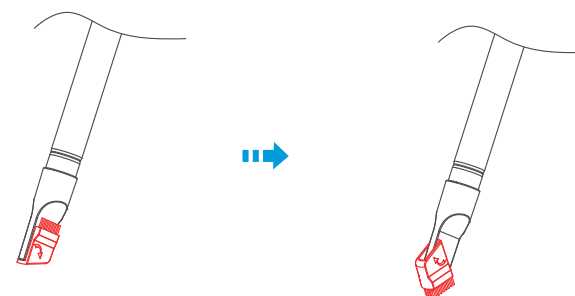
05. Brush use:

Press the pedal button and the bristles will stick out.



06. Composite brush use:

According to the direction of arrow, 45° rotating brush out.



07. Attachment:

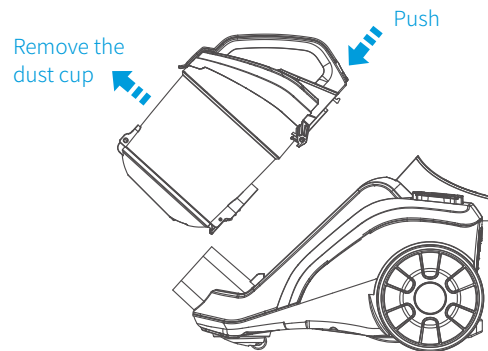
The attachment can be used as follows.



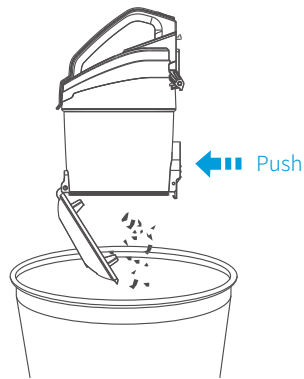
Product Maintenance

Dust cup cleaning

01. Remove the dust cup: Press the dust bucket release button, gently pull the dust bucket handle, then remove the dust bucket.



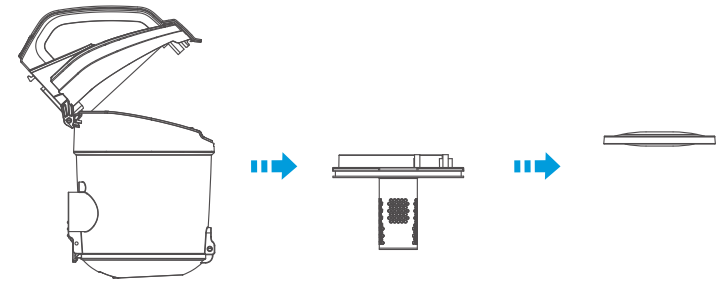
02. Dump garbage: Gently push the dust button and dump the garbage.



Product Maintenance

Dust cup maintenance

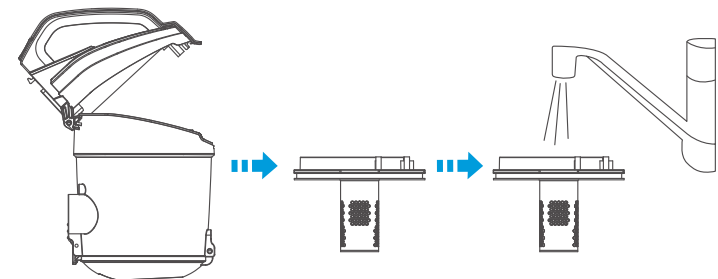
01. Open the dust cup:
Lift the lid on the release button to open the lid, then take out the internal parts.



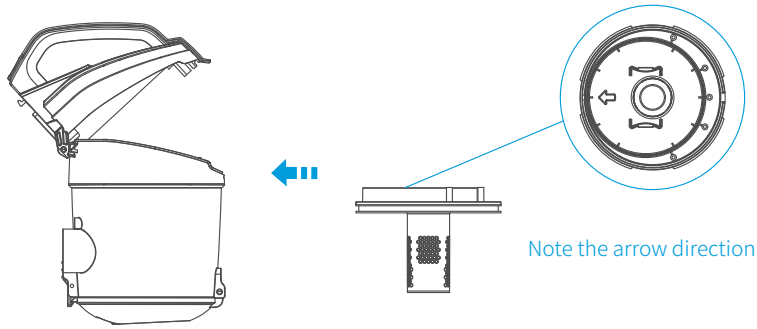
02. Remove the filter cotton cleaning:
After opening the dust cup, the filter cotton shall be cleaned.



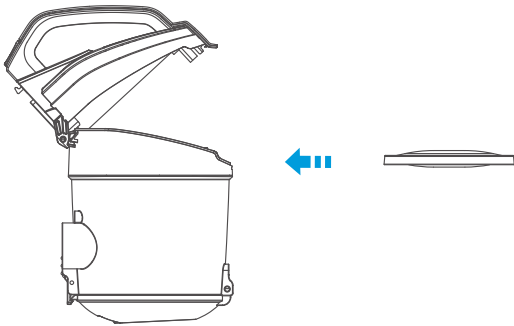
03. Remove and clean the filter core:
Put the filter up and wash the filter under the tap.



04. Install the filter core:
After cleaning, put the filter into the dust cup and notice the direction of the arrow.



05. Load the filter cotton.



Caution

1. The filter parts can be put back for use only after being cleaned and dried. It is recommended to have sun exposure for 24 hours to ensure it is thoroughly dried.
2. All parts must be ensured to be properly installed, otherwise it will cause product failure.
3. Water is not allowed to penetrate into the vacuum cleaner electrical components, or otherwise may cause product failure.

TROUBLESHOOTING

In case of malfunction, please refer to the following table

Problem	Possible reason	Solution
The vacuum cleaner does not work	<ul style="list-style-type: none"> - The power plug is not properly plugged into the socket - No electricity on the power socket - The vacuum cleaner switch is not turned on - Motor thermal protector acts 	<ul style="list-style-type: none"> - Reinsert the plug - Check the circuit breaker - Press the machine's power switch - Unplug the plug and wait for the thermal protector to recover
Suction becomes weaker	<ul style="list-style-type: none"> - The main brush or accessories are clogged - Dust in the dust barrel is too full - Dust in the dust cup filter cotton is too much 	<ul style="list-style-type: none"> - Clean up the stemming - Timely clean up garbage - Clean the filter cotton

If the problem still can't be solved, please contact local service center.