

The diagram above is just for reference. Please take the appearance of the actual product as the standard.

Instant Electric Water Heater

Instruction Manual

Model: DSK70035-J

Thank you very much for purchasing our water heater.
Before installing and operating your water heater, please
read this manual carefully and keep it for future reference.



Sincerely thank you for selecting our electric water heater. Please read this manual carefully before use; correctly grasp the methods for installation and use of this electrical water heater, to make full use of its excellent performances. Please do preserve the instruction manual for future reference.

TABLE OF CONTENTS

<u>TITLE</u>	<u>PAGE</u>
1.Cautions	(2)
2.Product introduction	(3)
3.Unit installation	(4)
4.Methods of using	(7)
5.Maintenance	(8)
6.Troubleshooting	(8)

1. CAUTIONS

To prevent personal injury, injury to others and property damage, the instructions below must be followed. Incorrect operation due to failure to follow instructions will cause harm or damage.

Special Cautions

- This water heater is for household, and it can be installed wherever place that need hot water.
- Plug is not used for this water heater; this water heater must be connected directly with power switch that comes with leakage-protection. Please distinguish live line (red/brown), neutral line (blue) and earth line (green/yellow) during installation.
- Do check whether the amperes of the household wiring enough before installation, and dedicated circuit must be used when installation.
- Before installing this water heater, check and confirm the earth electrode on the socket is reliably earthed, without electricity.
- The hot water from the water heater may cause scald, please test the temperature of the hot water before use.
- The distance between water heater installed and water output should be as nearby as possible to avoid loss of heat.
- The electric water heater may be damaged if the water hardness is too high. To ensure longer product lifespan, please install and put it into use on condition that the local water hardness is less than 450mg/L (CaCO₃)
- In time of lightning/thunder, switch "Off" the Miniature Circuit Breaker (MCB) in advance to protect the water heater against possible damage.
- Inspection on the built-in ELCB (once a month) to avoid a hazard to users such as damage to property, serious injury or death.
- Do cut-off power supply before any maintenance. Any maintenance or adjustment towards this product by non-professional is highly prohibited.
- The damage power cord must be replaced by a good power cord provided by the manufacturer, and the replacement should be done by a qualified technician or engineer or professionals of the similar products.
- In order to avoid a hazard due to inadvertent resetting of the Earth Leakage Circuit Breaker (ELCB), this appliance must not be supplied through an external switching device, such as timer or connected to a circuit that is regularly switched "On" and "Off" by the utility.
- Water heater is equipped with adjustable flow capacity safety valve. For safety use, please do not change its installation location and do not block its water outlet.
- For any improper installation and incorrect operation of this product, our company will not be liable for any responsibility.
- This water heater can be used for other purpose, eg. Washing hands, dishes or foods, and so on. (Multi directional water supply is not available).
- When the shower is used by someone such as child, old person, sick person and physical handicapped person, the concern person is kindly requested to pay attention and check the shower temperature by using hand from time to time.



WARNING

The water heater should be earthed before use. Please ensure that the resistance of household earth wire is $<4\Omega$. Using water heater without earthed is highly prohibited.

2. PRODUCT INTRODUCTION

2.1 Nomenclature

DS **K** ******* ***** - *****
① ② ③ ④ ⑤

- ① is the product code of the domestic Instant electric water heater;
- ② K is the outlet type (F:sealed K: open);
- ③ represents the extension of pattern (eg : 680,670..);
- ④ represents the rated power (*100W);
- ⑤ represents the pattern code (eg : J,K,L...);



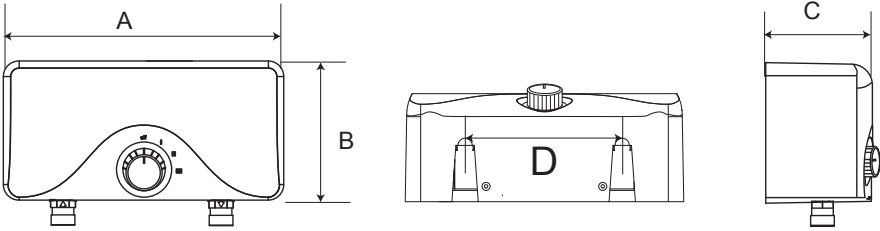
NOTE

This manual is applicable to the instant electric water heaters (DSK *** *-*) manufactured by this company. The nomenclature of the product is complied according to the Chinese standard.

2.2 Technical Performance Parameters

Model	DSK70035-J
Rated Voltage	220-240V~
Rated Frequency	50/60Hz
Rated Power	3500W
Rated Current	15.2A
Dia. Of Wire Code	1.5mm ²
Air Switch	≥20A
Rated Pressure	0 MPa
Minimum Flow Rate	2.5 Liters/minute
Minimum Pressure	0.03 MPa
Maximum Pressure	0.6 MPa
Protection Class	I
Water Proof Class	IPX4
Products Size	272×142×109 mm

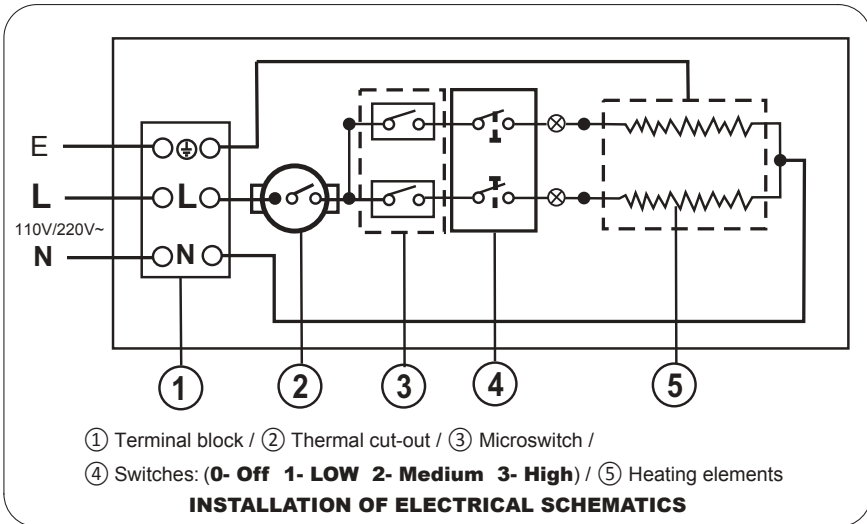
2.3 Brief introduction of product structure



DSK67035-J	
A	272
B	142
C	109
D	155

(Note: All dimensions are in mm)

2.4 Internal Wire Diagram



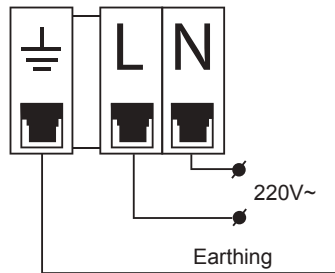
3. UNIT INSTALLATION

3.1 Installation Instruction

- ① Check the capacity of power circuit;
- ② Power cord installation;
- ③ Water heater installation;
- ④ Plumbing connection;
- ⑤ Water Supply.

3.2 Power Cord Installation

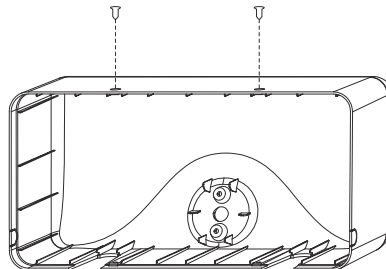
- It is necessary to increase wire section, if the water heater and electric cable itself are located on a thermally insulated or heating wall.
- The water heater shall be connected to the electric mains stationly (except DSK***35-J).
- Install an external circuit breaker for protection of the electric circuit(16/25/30A depending on series of the water heater).
- Lead the electric cable into the water heater.
- Fix bare ends of the electric cable in a connection box, tightening them with screws and in strict correspondence with the box marking. The wires of L, N and E should be identified by different colors and ensure the yellow/green earthing wire connected correctly and reliably (See Fig.1). A single-phase water heater will need a single-phase switch to be connected with a single power supply and a multiple-phase water heater will need a multiple-phase switch to be connected with a multiple power supply .
- Check connection tightness of all internal electric contacts including removable contact groups and bolt contact connections on heating elements. If there are loose connections,they shall be fixed and tightened.
- Connect the electric cable with the fixed method (except DSK***35-J) to the 220V AC power supply source using a circuit breaker(16/25/30A depending on series of the water heater) with obligatory electric grounding.
- Install the enclosure of the water heater and tighten three mounting screws.
- Switch on the 220V AC power supply and check operability of the water heater with the practical method in all operation modes.



(Fig.1)

3.3 Water Heater Installation

- ① Remove the upper enclosure from the water heater: first loosen the three screws which fix the upper enclosure with the lower enclosure, then haul the upper enclosure in the vertical direction of the underside of the water heater and demount the upper enclosure (See Fig.2).



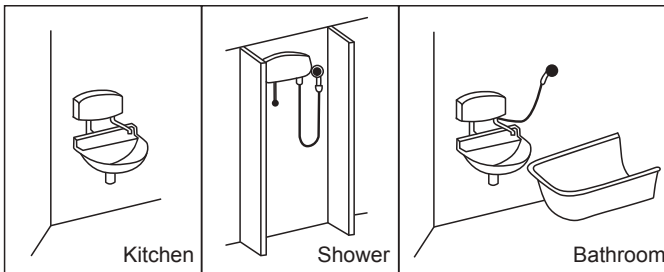
(Fig.2)



NOTE

The film exists respectively at the two side of the upper enclosure. A user can get rid of one film according to the indicated arrows by scissors.

- ② Remove the film at the power cord's entrance on the opposite of the upper enclosure and connect the approved power cord to the corresponding holes in the terminal block. When install the plug wire, you should fix the safety switch, in circuitry. There is more than 3mm distance between the two poles when turn off the safety switch.
- ③ Select the electric cable entry place. If necessary, cut the thin wall on the enclosure in the proper place using a knife.
- ④ Selection the water heater installation place. (See Fig.3)



(Fig.3)



NOTE

The water heater for bath is fixed on the wall at a height more than a person's height. When using the water heater, be care not to let water splash on it.

- ④ Install the appliance on the wall horizontally with its connections strictly downward securing it with screws from the set of installation fixtures included by the manufacturer to the package.

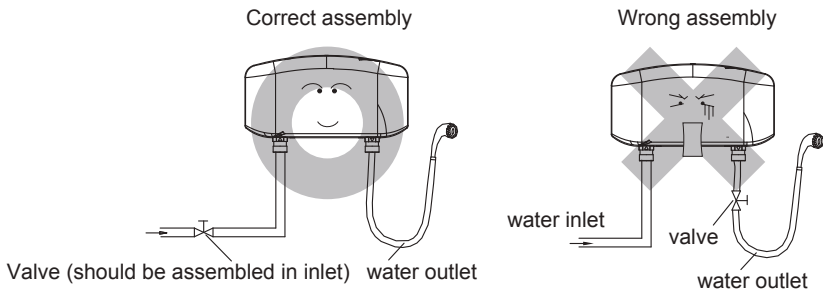
3.4 Plumbing Connection

- ① Fix the bottom enclosure on the wall by tightening the three screws. The water heater should be placed horizontally. The water inlet and outlet should be centripetal.
- ② Connect the hose into the water inlet and ensure that no leakage exists. The water heater is an open-outlet water heater; please ensure there is no valve or the like in the outlet pipe. (See Fig.4)



NOTE

Blue marker stands for water inlet, red marker stands for water outlet. Do not overexert to avoid damaging the water heater.



(Fig.4)



WARNING

Metallic / chromed hose and conductive control valve shall not be used.

3.5 Water Supply

After all the plumbing is finished connecting, open water inlet valve of the product and supply water to the unit to drain away air inside until there is stable water flow comes out from shower head. Check whether there is leakage at joints or not. If there is, check whether the connecting parts are fastened or not, then re-supply water.

4. METHODS OF USING

- To make the water heater work automatically, the water pressure at inlet should be no less than 0.2atm and water flux should be no less than 1.5L/min.
- The water heater begins to work after the inlet valve and the power switch being switched on, Whereas, the water heater stop working after the inlet valve and the power switch being switched off. We can change the water temperature at outlet by adjusting the valve. Before closing the valve, we must shut off the power switch.



NOTE

The electric water heater may be damaged if the water hardness is too high. To guarantee the normal service life, please install and put it into use on condition that the local water hardness is less than 450mg/L (CaCO₃).

5. MAINTENANCE

- This electric water heater should be installed at the place without sunshine or rain spray. Please cut off power supply if not use for long time.
- If long time no use the unit, check the water heater first before use. Make sure no filth in water inlet hose, water outlet hose and sprayer, electrify after the water flows out stably.
- Do not spray water to switch or heater body directly, to avoid moist.
- Please cut off the power in the weather of thunder and rain to avoid damaging the water heater.
- Check the power cord connecting terminals frequently to make sure that they are well and reliably contacted, no overheating phenomenon, and grounding is good or not.
- You'd better often clean the water heater and sprayer. After close the valve and shut off the power switch, wipe off all the dirty with clean cloth, if necessary the outer casing can be washed, you must dry the housing after you finish cleaning. If water flows not smoothly, please loosen the screw to clean the sprayer and the filter in water heater.

DECLARATION: this water heater can only be maintained by authorized service personnel, incorrect installation and using method may cause serious injury or loss of property.



WARNING

Do cut off power supply before maintenance, to avoid danger like electric shock.

6. TROUBLESHOOTING

SYMPTOMS	REASONS	SUGGESTIONS
The heating indicator light is off	Failures of the temperature controller	Contact with the professional personnel for repair
No water coming out of the hot water outlet	<ol style="list-style-type: none">1. The running water supply is cut off.2. The hydraulic pressure is too low.3. The inlet valve of running water is not open.	<ol style="list-style-type: none">1. Wait for restoration of running water supply.2. Use the heater again when the hydraulic pressure is increased.3. Open the inlet valve of increased.
The water temperature is too high.	Failures of the temperature control system.	Contact with the professional personnel for repair
Water leak	Seal problem of the joint of each pipe.	Seal up the joints

The product is subject to change without notice.
Please keep this manual properly.