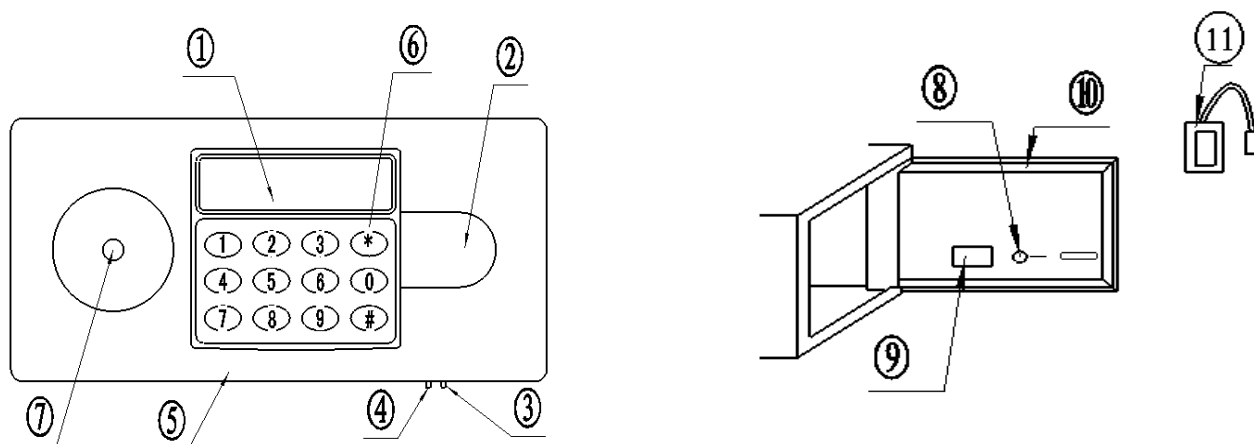


ELECTRONIC HOME/OFFICE SAFE USER GUIDE

1. LCD display
2. The cover for emergency lock
3. Jack for emergency battery box
4. The hole to remove the cover
5. Fascia
6. Key
7. key(or knob)
8. Reset button
9. Battery compartment cover
10. Door
11. Emergency box



PRODUCT FEATURES

1. The intelligent electronic safes use the advanced digit circuit technology for the opening system.
2. High-performance chips imported are used with high standard of the intelligence including the function of time reading and memory of previous opening.
3. Two codes of 4-8 digits are provided for security and easy to operate. LCD digital display provides digits for operation procedures, codes on the display can be erased with ease, which adds to security.

PREPATION

1. This safe serves to protect your valuables, please install the safe on the wall or floor, or keep it in a secret and safe place.
2. Open the door by emergency key or emergency battery box.
3. Uncover the battery compartment cover on the back of door, and put in four LR3(AM3, A4)/ 1.5V batteries. (suggest to use alkaline battery). Please pay attention to the polarity the batteries. For normal use, the batteries could last for over one year.
4. When batteries are installed, the display will flash "ALL READY" for 1 second, and then the system is actuated to scan the circuit. After that, it will be in standby mode, while showing year, month, date and day.
5. The preset code of safe on delivery is "1234", the user may open the door with the preset code when batteries are placed and tested normal.

CAUTION: For security of your property, you will need to change the preset code prior to use.

SET USER CODE

1. First press "#" the background light shines yellow, and then the display will read "....". Enter factory preset code (or your own code using if the factory code has been changed), and press key "#" to confirm, if the buzzer sounds, and the display read "OPEN" with the background light shining blue, the code confirmation is successful.
2. Please press key "*" within 7 seconds and the display will read "....". Now enter 4-8 digit code and confirm it by pressing key "#". At this time, The display will read "INTO", So now you have successfully set use code, which can be used to open the door.

3. Another code is used for management and is suitable for hotel use. You may consult your local dealer for use method.

OPEN THE DOOR

1. Press key “#” (the background light shines yellow).
2. Enter the correct 4-8 digits management code or 4-8 digits user code, then following 3 beeps, the display will read “OPEN” with the background light shining blue, that is, the code is correct, if you enter the wrong code, the display will read “ERROR”.
3. Turn the key (or knob) clockwise or counter clockwise to open the door.

CAUTION: You may press the key “*” to clear any incorrect digits you have entered. One digit will be cleared each time you press the key. If the wrong code is entered 3 times consecutively, the key pad will automatically lock and the alarm will sound for 60 seconds. If press key “0”, the display read “BELL ON” into alarming mode, the alarm will sound for 60 seconds when vibration, shaking, striking and moving. The sound will stop in 60 seconds but alarming mode can't be cancelled. When alarm sounds, if the correct code is entered, it will stop alarming.

EMERGENCY KEY

Upon first receipt of the safe, or either the electronic circuit malfunction or codes unknown. You could also use the emergency key to open the safe.

1. Insert the emergency battery box into the hole to remove the cover that contacts the emergency lock and you will find a key lock hole.
2. Fully insert the emergency key into the key hole.
3. Turn the emergency key counter clockwise.
4. Keep the emergency key the position and meanwhile turn the key (or knob) clockwise or counter clockwise to open the door.

CAUTION: For your total security, duplicates of emergency key are not available, please take good care of the same emergency key. In case it is lost or damaged, please consult the local locksmith...

TURN OFF DISPLAY

Press the key “#” and press the key “*” before opening the door, and the display will no longer indicate the code and letters you have entered. Other instruction will remain the same. After opening the door, the function will be cancelled.

SET DATE AND TIME

1. The first time batteries are installed, the date and time on the display will read 00-01-01 and 00:00 respectively.
2. When the standby mode, press the key “*” and the display will read date 00-01-01 at first, and then changes to “SLEEP” in three seconds.
3. When date or time appears on the display, you may press the key “#” once to switch between year, month, and date or hour, minute and day. The year, month, and date or the hour, minute and day selected for change will start to flash.
4. Use digit key “0” and “8” to change year, month and date or hour minute and day that is flashing. Each time you press the key “0” the digit on display will decrease by one; Each time you press the “8”, the digit will increase by one.

TRACK THE RECORD OF DOOR OPENING

1. Enter the correct code to open the door. Press “0” once when “OPEN” disappears from the display but the background light remains on.
2. The display will now show when the door was last opened (year, month and date followed by hour, minute and day, code used to open).
“PASS 1” means the door was opened using the management code.
“PASS 2” means the door was opened using the user code.
3. Press the key “0” again before “PASS 1” and “PASS 2” disappears from the display, and the display will further show the door opening record of the time before the last. In this moment, the records of last 14 times of door opening may be tracked.

LOW BATTERY

1. If the display reads “■” when opening the safe, it means the battery are full, if the display read “■ LO-BATTE”, it means the batteries are low.
2. If power of batteries located inside the safe has been used up, there are two ways to open the safe:

- 1). By emergency key (please referring to EMERGENCY KEY)
- 2). By emergency battery boxplug the emergency battery box jack to power.

RESET BUTTON

If your code is forgotten, press RESET BUTTON on the back of door to recall the factory preset code "1234".