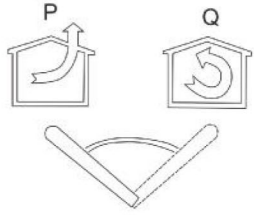
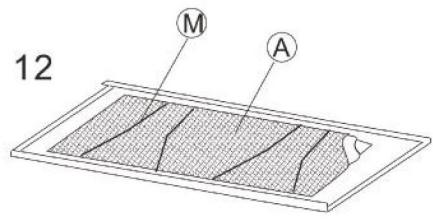


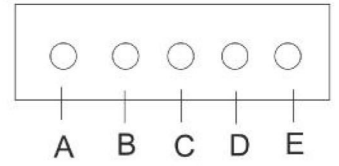
11



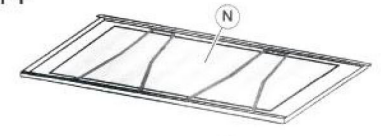
12



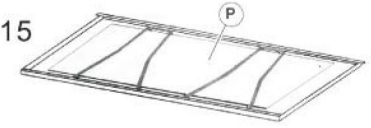
13



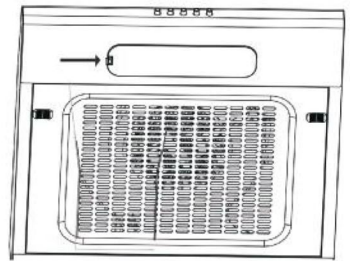
14



15



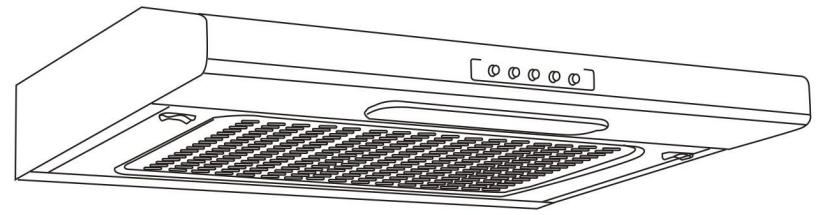
16



# vatti

## SLIM COOKER HOOD

### INSTRUCTION MANUAL



## DESCRIPTION

The hood may be installed in the filtering or the ducting version.

**Filtering version** (Fig.1): The hood aspirates the kitchen air saturated with fumes and odour. Purifies it through the grease filters and charcoal filters and returns clean air into the room. For constant efficiency, the carbon filters must be replaced periodically.

**Ducting version** (Fig.2): The hood aspirates the kitchen air saturated with fumes and odour, passes it through the grease filters and expels it to the outside through an outlet pipe. With this version the carbon filters are not required.

Decide from the outset on the type of installation (filtering or ducting). For greater efficiency, we recommend you install the hood in the ducting version (if possible).

## INSTALLATION

Before beginning installation, to better handle the hood, we advise removing the metal grid or the metal filter/s (depending on the model purchased by you).

To remove the metal grid (Fig.3), push the two stops towards the inside of the hood and turn the grid until this can be removed.

### INSTALLATION IN DUCTING VERSION:

Before fixing, the outlet pipe for air evacuation to the outside must be installed. Use an outlet pipe with: - minimum indispensable length; -Minimum possible bends (maximum angle of bend:90°); -certified material (according to the state); - an as smooth as possible inside. It is also advisable to avoid any drastic changes in pipe cross-section (recommended diameter: 125mm). For air evacuation to the outside, follow all the instructions given on the: "Warnings" sheet.

Decide on the position of the hole for the air outlet: The hole may be in the wall or the ceiling, according to your requirements, but must be in vertical line with your hood. Bear in mind that the hood can expel air through the rear opening B (Fig.4) or through the top opening A.

Select the type of most suited to your needs and proceed by mounting the cap (Fig.5) on the opening, If selected for air evacuation B: make the cap on the opening A and turn anti-clockwise until it locks, otherwise, selected opening A no need to mounting the cap.

Drill the hole in the wall for the air outlet (125 mm diameter) referring to Fig.6 where the measurements for the various possibilities are indicated.

Prepare a suitable power supply. For the electrical connection, follow all the other instructions on the other instructions on the "Warning" sheet.

Proceed with fixing the hood: Based on your requirements, you can fit the hood on the wall or on a wall unit of your kitchen. IMPORTANT: Respect the distance between the hob and lower part of the hood which must be at least 650 cm.

**Fixing to the wall:** If you use the top opening A for the air outlet through the wall unit, before fixing the hood to the wall, drill a hole of 125 mm diameter in the wall unit (Fig.6). In any case, check the position of the power outlet and consider where the power cable will run, since a hole might have to be made in the wall unit to accommodate it. Draw a line on the wall in vertical line with your hob. Mark the 4 holes to be drilled in the wall, respecting the distances indicated in Fig. 8; Make the 4 holes and fit the 4 screw anchors provided. Take 2 of the screws provided (Fig.9G) and insert them in the topmost screw anchors without however screwing them

down completely. Hang the hood on the 2 screws; Working from inside the hood, tighten the 2 screws completely. Now proceed with final fixing by fitting the other 2 screws H (Fig.10). Connect a flexible tube to the hood flange, using a metal hose clamp. Tube and hose clamps are not provided. Make the electrical connection.

**Fitting under wall unit:** If you use the top opening B for the air outlet through the wall unit, before fixing the hood to the unit, drill a hole of 125mm diameter in the wall unit (Fig.7). In any case, check the position of the power outlet and consider where the power cable will run, since a hole might have to be made in the wall unit to accommodate it. Drill 4 holes in the wall unit, respecting the distance indicate in Fig.7. Push the hood up against the wall unit and insert the 4 screws operating from inside the wall unit (the 4 screws are not provided). Connect a flexible tube to the hood flange, using a metal hose clamp. Tube and hose clamps are not provided. Make the electrical connection.

Installation is now complete. We recommend you:

·CHECK THAT THE DUCTING-FILTERING LEVER IS IN THE RIGHT POSITION.: The lever is found on the motor unit and must be positioned on the symbol (P) in the case of installation in ducting version (Fig.11).

·Also remember that the use of charcoal filter/s is not necessary with the ducting version; if these are fitted, remove them and proceed as following according to the model type purchased:

- The hood features a panel type charcoal filter (Fig.12A), remove the charcoal filter by first of all removing the two filter retains M.

### INSTALLATION IN FILTERING VERSION:

Prepare a suitable power supply. For the electrical connection, follow all the instructions on the "warnings" sheet.

The 2 openings (A and B) on the hood (Fig.5) must be closed, since the air is re-circulated into the room through the front vents.

Proceed with fixing the hood: Based on your requirements, you can fit the hood on the wall or on a wall unit of your kitchen. IMPORTANT: Respect the distance between the hob and lower part of the hood which must be at least 650 cm.

**Fixing to the wall:** before fixing the hood to the wall, check the position if the power outlet and consider where the power cable will run, since a hole might have to be made in the wall unit to accommodate it. Draw a line in the wall in vertical line with your hob. Mark the 4 holes to be drilled in the wall, respecting the distances indicated in Fig.4; Make 4 holes and fit the 4 holes and fit the 4 screw anchors provided. Take 2 of the screws provided (Fig.9G) and insert them in the topmost screw anchors without however screwing them down completely. Hang the hood on the 2 screws; Working from inside the hood, tighten the 2 screws completely. Now proceed with final fixing by fitting the other 2 screws H (Fig.10). Make the electrical connection.

**Fitting under wall unit:** Before fixing the hood to the wall unit, check the position of the power outlet and consider where the power cable will run, since a hole might have to be made in the wall unit to accommodate it. Drill 4 holes in the wall unit, respecting the distance indicated in Fig.7. Push the hood up against the wall unit and insert the 4 screws operating from inside the wall unit (the 4 screws are not provided). Make the electrical connection.

Installation is now complete. We recommend you:

·CHECK THAT THE DUCTING-FILTERING LEVER IS IN THE RIGHT POSITION:

The lever is found on the motor unit and must be positioned on the symbol (Q) in the case of installation in filtering version (Fig.11).

- Also remember that charcoal filter/s must be used in the case of the filtering version;
- check to see whether such filters are already fitted; if necessary, proceed to fit as follows, depending on the model type purchased;
- The hood features a panel type charcoal filter/s(Fig.12), position the charcoal filter and fit the two filter retainers to secure the charcoal filter.

**Notice:**

- Exhaust air must not be discharged into a flue which is used for exhausting fumes from appliance burning gas or other fuels.
- If the instructions for installation for the gas hob specify a greater distance than 650mm, this have to be taken into account.
- The regulations concerning the discharge of exhaust air have to be fulfilled.

**OPERATION**

Depending on the model, the unit is equipped with the following controls:

**Controls as in Fig.13:** A = Light switch; B = Fan speed I; C = Fan speed II; D = Fan speed III; E = On/off.

**Grease filter/s:** Depending on the version, the hood features different types of grease filter:

**Aluminium type metal filter** (as shown in Fig.14N): This is a metal filter and is positioned inside the metal grid; the filter must be periodically cleaned, depending on extent of operation ( at least every two months). Wash the filter with neutral detergent. To remove the filter, first of all remove the metal grid by pushing the two stops towards the inside of the hood (Fig.3); subsequently remove the two filter retainers inside the metal grid and remove the panel type metal filter.

**Panel type synthetic filter** (as shown in Fig.15P): this filter is made of white synthetic fibre and is located inside the metal grid; It cannot be cleaned, but must be replaced from time to time according to use (at least every two months). To remove the filter, first of all remove the metal grid, push the two stops towards the inside of the hood (Fig.3); next, remove the two filter retainers inside the metal grid and remove the panel type synthetic filter.

**Carbon filter/s:** the carbon filters must be periodically replaced depending on extent of operation-on average every 6 months. To remove the carbon filters, proceed as follows, depending on the model purchased:

- The hood features a panel type carbon filter(Fig.12), remove the carbon filter by first of all removing the two filter retainers M.

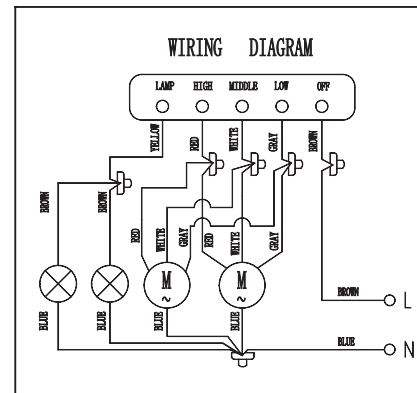
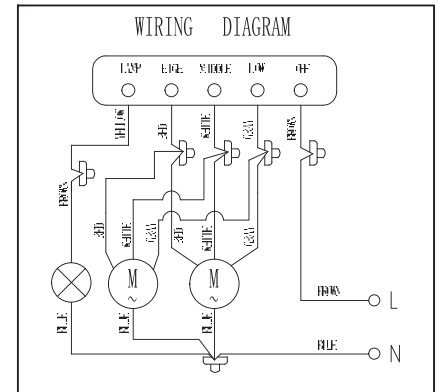
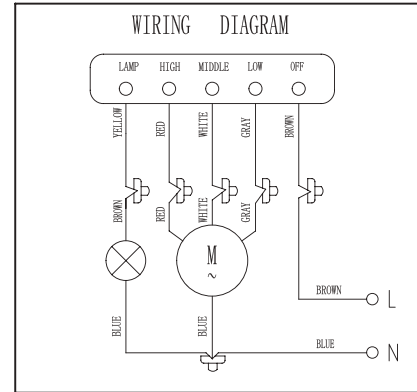
**Lighting:**

To access the incandescent lamps, Push the catch(Fig.16) to remove the lamp cover then Replace the lamps.

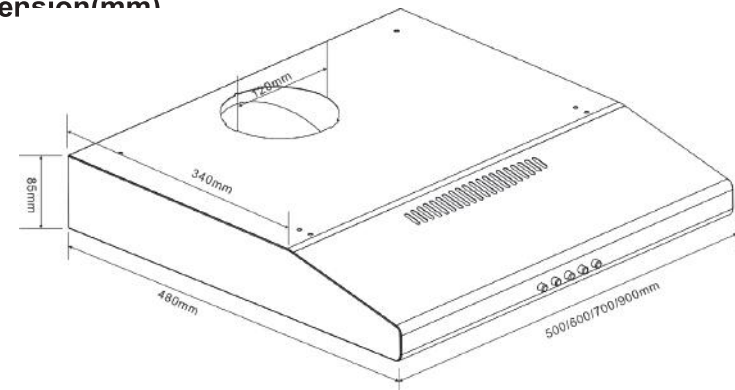
**Warning:**

- The appliance is not intended for use by young children or infirm persons without supervision.
- Young children should be supervised to ensure that children do not play with the appliance.
- Do not flambé under the range hood.
- If the supply cord is damaged, it must be replaced by the manufacturer, its service agent or similarly qualified persons in order to avoid a hazard.

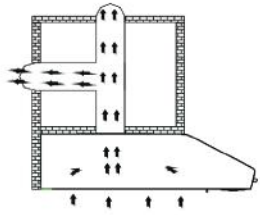
**Wiring Diagram**



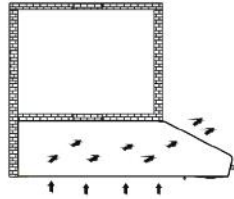
**Dimension(mm)**



1



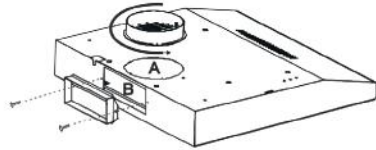
2



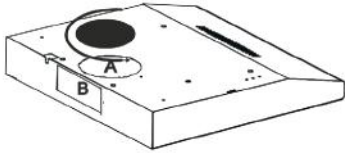
3



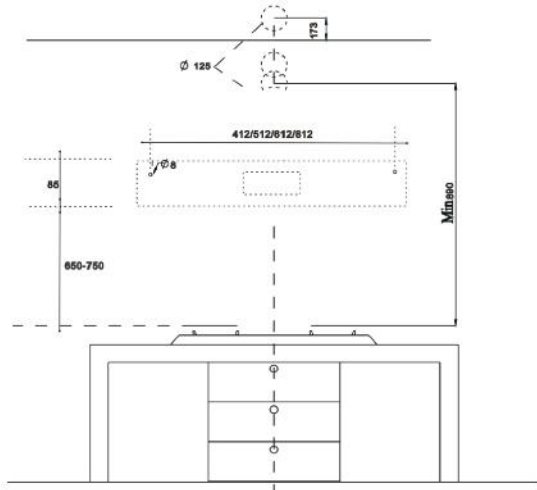
4



5

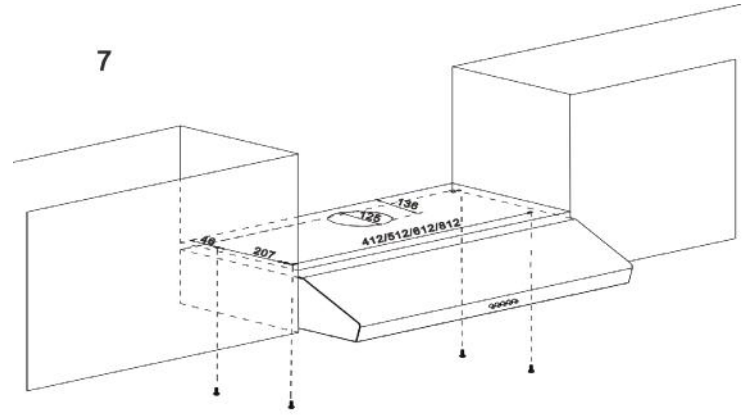


6

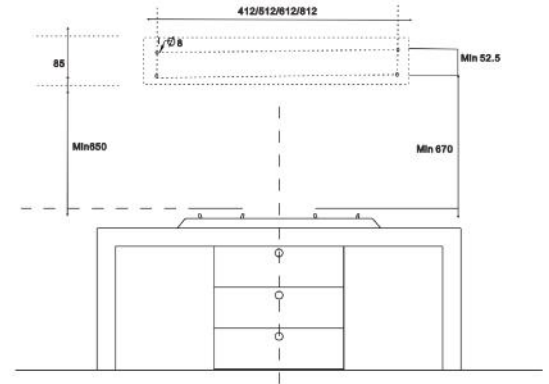


5

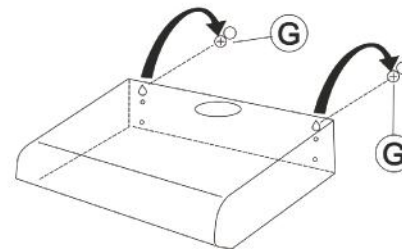
7



8



9



6

1

10

