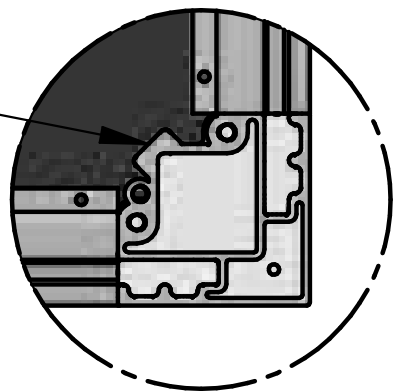


ITEM NUMBER	QTY.	DESCRIPTION	SKU	NOTE
1	1	CORNER_SB_842315050611	842315050611	MUST BE GLUED WITH A HIGH ADHESIVE GLUE THAT CLAIM TO BE RESISTANT TO IMPACT AND VIBRATION SUCH AS LOCTITE 380
2	1	DTG-T4X6-001_842314059462	842314059462	
3	1	DTG-T4X6-002_842314059479	842314059479	
4	1	DTG-T4X6-003_842314059486	842314059486	
5	1	PLYWOOD SHEET TRIANGLE 4' X 6'_WITH HEXAGRIP FINISH_842314059295	842314059295	REAL SIZE : 5'-11.25" X 3'-11.5" X 7'-1.632"
6	1	LEG_BRACKET_T4X6_001_842314059592	842314059592	
7	1	LEG_BRACKET_T4X6_002_842314059608	842314059608	
8	1	I-BEAM_T4X6_001_842314059677	842314059677	

DECK THICKNESS : 3.730"



DETAIL A

**REPRODUCTION FORBIDDEN**  
PATENT PENDING

ANY REPRESENTATION, REPRODUCTION, INTEGRAL OR PARTIAL USE, DONE WITHOUT THE WRITTEN CONSENT OF INFRASTRUCTURES TO/GO INC. IS PROHIBITED, UNLAWFUL AND ILLEGAL. THIS DOCUMENT IS PROTECTED BY LAW. ANY NON-AUTHORIZED REPRESENTATION OR REPRODUCTION BY ANY METHOD WHATSOEVER, CONSTITUTES AN INFRINGEMENT WHICH WILL BE SANCTIONED, AS PROVIDED BY LAW.

927 Gaudette Street  
Saint-Jean-sur-Richelieu (Quebec)  
Canada J3B 7S7

Phone : (450) 359-4000  
Fax : (450) 359-4242  
www.decktogo.com



MATERIAL	DO NOT MEASURE	SCALE	MASS
	THE DIMENSIONS ARE IN INCHES	1:20	63.826 lbm
	REMOVE CUTTING EDGES	DATE	DRAWN BY
		2018-06-21	DESIGN
		DECK TYPE	
		N/A	
		TITLE	
		SB_SERIES_4'X6'_TRIANGLE DECK_842315058242	