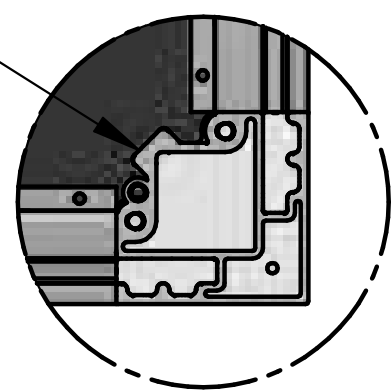
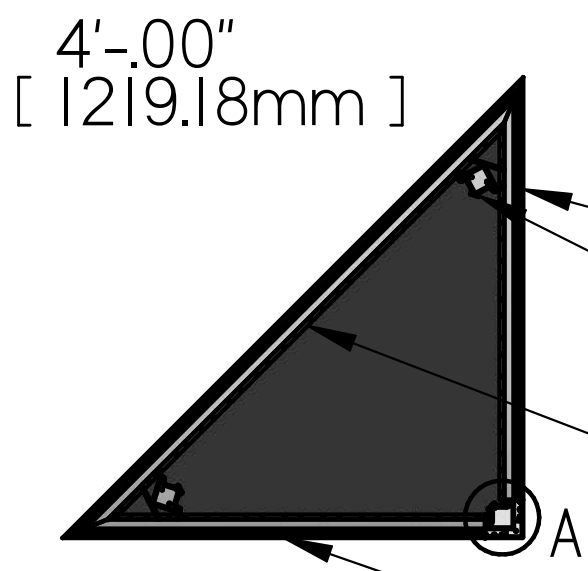


ITEM NUMBER	QTY.	DESCRIPTION	SKU	NOTE
1	1	CORNER_SB_842315050611	842315050611	MUST BE GLUED WITH A HIGH ADHESIVE GLUE THAT CLAIM TO BE RESISTANT TO IMPACT AND VIBRATION SUCH AS LOCTITE 380
2	1	DTG-T4X4-001_842314059431	842314059431	
3	1	DTG-T4X4-002_842314059448	842314059448	
4	1	DTG-T4X4-003_842314059455	842314059455	
5	1	PLYWOOD SHEET TRIANGLE 4' X 4'_WITH HEXAGRIP FINISH_842314059288	842314059288	
6	2	LEG_BRACKET_T4X4_001_842314059585	842314059585	

DECK THICKNESS : 3.730"



DETAIL A

**REPRODUCTION FORBIDDEN**  
PATENT PENDING

ANY REPRESENTATION, REPRODUCTION, INTEGRAL OR PARTIAL USE, DONE WITHOUT THE WRITTEN CONSENT OF INFRASTRUCTURES TO/GO INC. IS PROHIBITED, UNLAWFUL AND ILLEGAL. THIS DOCUMENT IS PROTECTED BY LAW. ANY NON-AUTHORIZED REPRESENTATION OR REPRODUCTION BY ANY METHOD WHATSOEVER, CONSTITUTES AN INFRINGEMENT WHICH WILL BE SANCTIONED, AS PROVIDED BY LAW.

927 Gaudette Street  
Saint-Jean-sur-Richelieu (Quebec)  
Canada J3B 7S7

Phone : (450) 359-4000  
Fax : (450) 359-4242  
www.decktogo.com



MATERIAL	DO NOT MEASURE	SCALE	MASS
	THE DIMENSIONS ARE IN INCHES	1:20	44.172 lbm
	REMOVE CUTTING EDGES	DECK TYPE	DRAWN BY
		N/A	DESIGN
		TITLE	DATE
		SB_SERIES_4'X4'_TRIANGLE DECK	2018-06-21