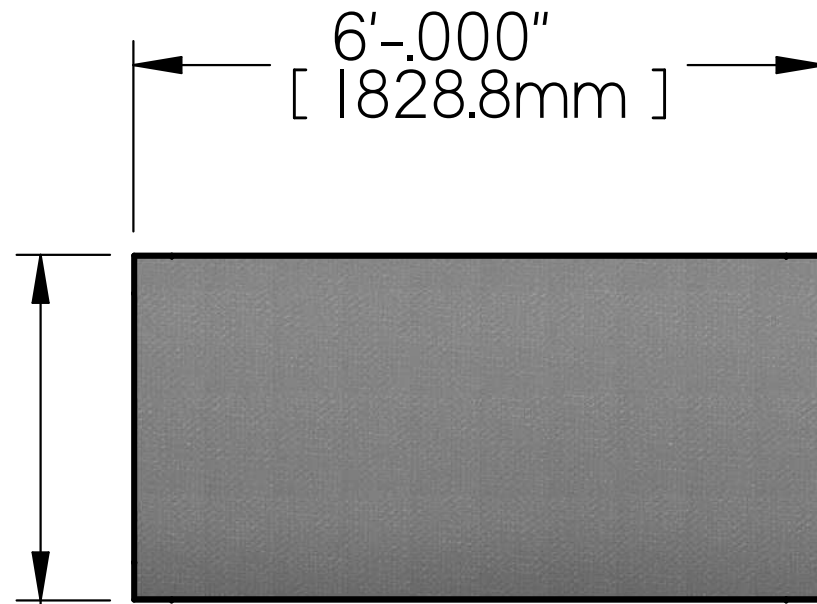
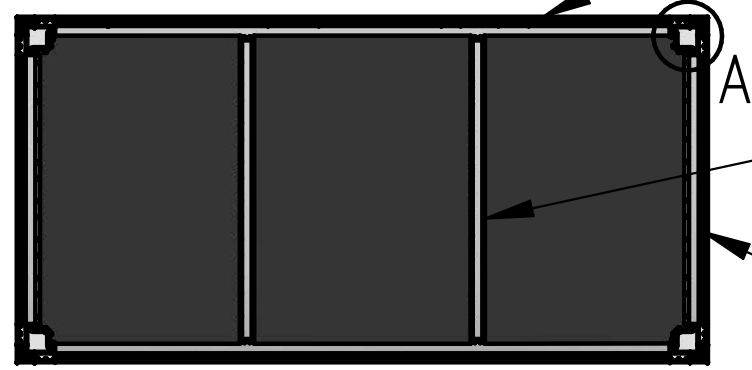


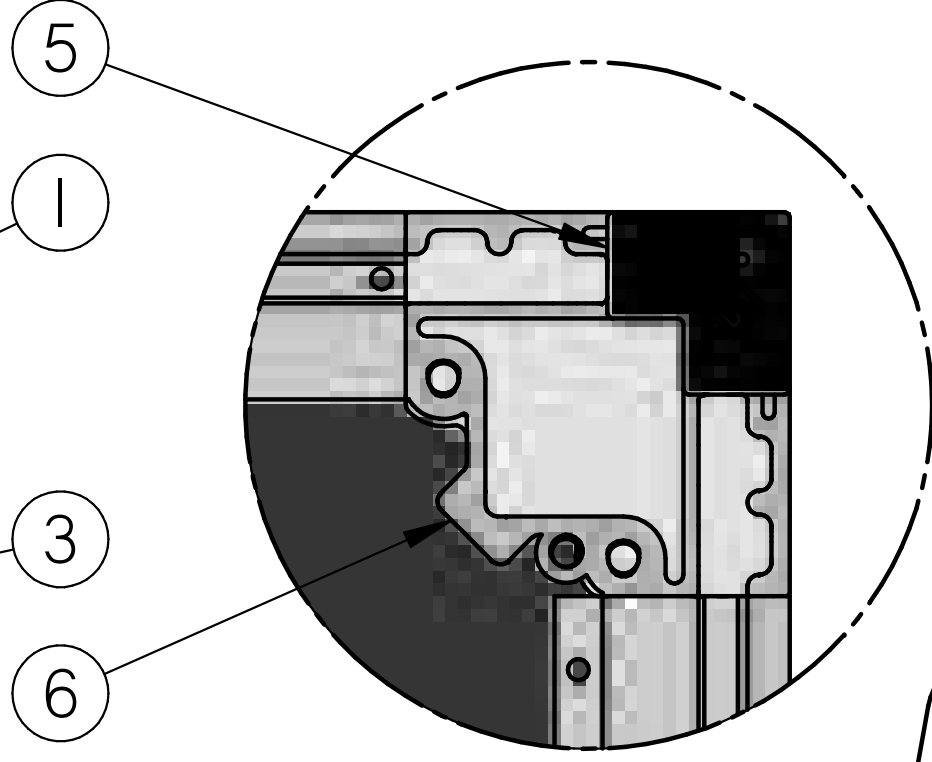
ITEM NUMBER	QTY.	DESCRIPTION	SKU	NOTE
1	2	EXTRUSION I-BEAM_LIP 6'_842315050772	842315050772	REAL LENGTH : 5'-4"
2	2	EXTRUSION PLY_LIP 3'_842315059171	842315050703	REAL LENGTH : 3'-4"
3	2	I-BEAM 3'_842315059096	842315050697	REAL LENGTH : 3'-8.1"
4	1	PLYWOOD SHEET 3' X 6'_WITH HEXAGRIP FINISH_842315059072	842315059072	REAL SIZE : 2'-11.625" X 5'-11.625"
5	4	RUBBER CORNER_842315050512	842315050512	MUST BE GLUED WITH AN INSTANT ADHESIVE GLUE SUCH AS LOCTITE QUICKTITE (PART NO. 39202)
6	4	CORNER_SB_842315050611	842315050611	MUST BE GLUED WITH A HIGH ADHESIVE GLUE THAT CLAIM TO BE RESISTANT TO IMPACT AND VIBRATION SUCH AS LOCTITE 380



3'-0.000"
[914.4mm]



4 DECK THICKNESS : 3.860"



DETAIL A

REPRODUCTION FORBIDDEN
PATENT PENDING

ANY REPRESENTATION, REPRODUCTION, INTEGRAL OR PARTIAL USE, DONE WITHOUT THE WRITTEN CONSENT OF INFRASTRUCTURES TO/GO INC. IS PROHIBITED, UNLAWFUL AND ILLEGAL. THIS DOCUMENT IS PROTECTED BY LAW. ANY NON-AUTHORIZED REPRESENTATION OR REPRODUCTION BY ANY METHOD WHATSOEVER, CONSTITUTES AN INFRINGEMENT WHICH WILL BE SANCTIONED, AS PROVIDED BY LAW.

927 Gaudette Street
Saint-Jean-sur-Richelieu (Quebec)
Canada J3B 7S7

Phone : (450) 359-4000
Fax : (450) 359-4242
www.decktogo.com



MATERIAL	DO NOT MEASURE	SCALE	MASS
	THE DIMENSIONS ARE IN INCHES	1:20	85.537 lbm
	REMOVE CUTTING EDGES	DECK TYPE	DRAWN BY
		N/A	DESIGN
		TITLE	DATE
		SB_SERIES_3'X6'_DECK_842315058174	2018-06-21