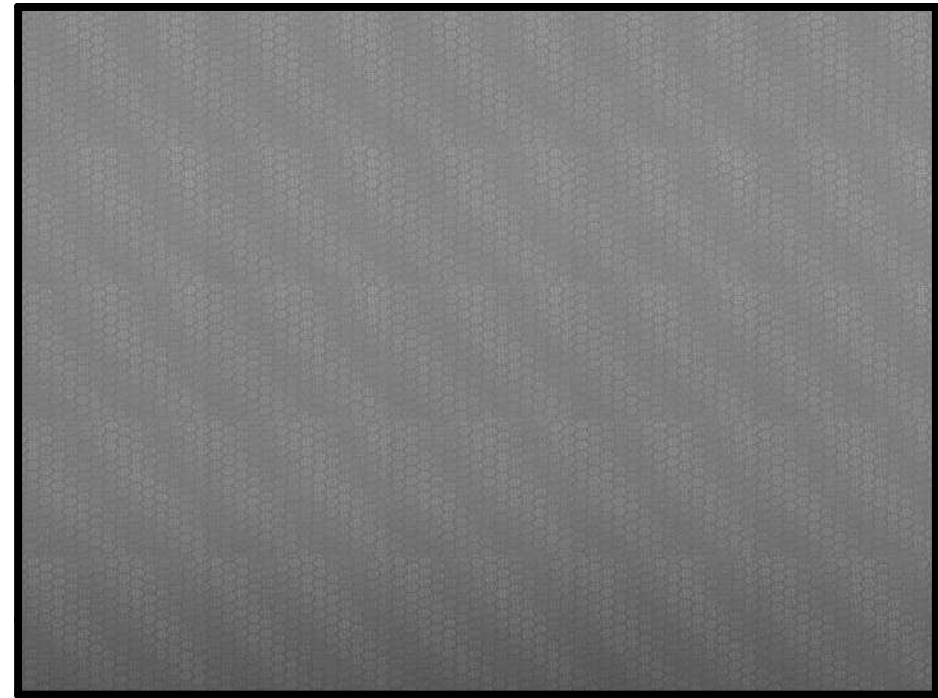
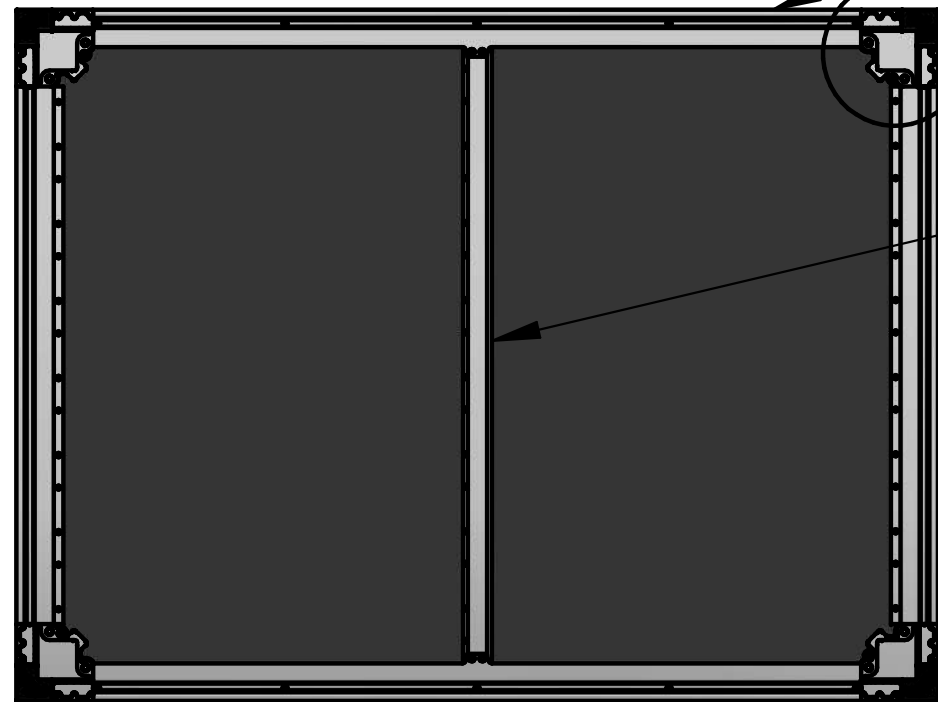


4'-.000"
[1219.2mm]

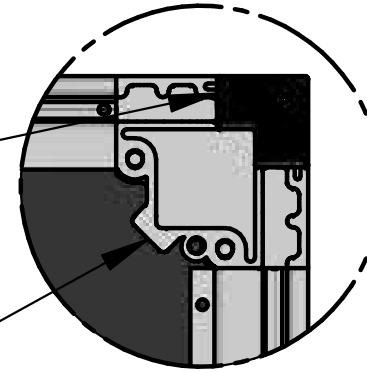


3'-.000"
[914.4mm]



ITEM NUMBER	QTY.	DESCRIPTION	SKU	NOTE
1	4	CORNER_SB_842315050611	842315050611	MUST BE GLUED WITH A HIGH ADHESIVE GLUE THAT CLAIM TO BE RESISTANT TO IMPACT AND VIBRATION SUCH AS LOCTITE 380
2	2	EXTRUSION PLY_LIP 3'_842315059171	842315050703	REAL LENGTH : 3'-4"
3	1	PLYWOOD SHEET 3' X 4'_WITH HEXAGRIP FINISH_842315059065	842315059065	REAL SIZE : 3'-11.625" X 2'-11.625"
4	4	RUBBER CORNER_842315050512	842315050512	MUST BE GLUED WITH AN INSTANT ADHESIVE GLUE SUCH AS LOCTITE QUICKTITE (PART NO. 39202)
5	2	EXTRUSION I-BEAM_LIP 4'_842315050710	842315050710	REAL LENGTH : 3'-4"
6	1	I-BEAM 3'_842315059096	842315050697	REAL LENGTH : 3'-8.1"

DECK THICKNESS : 3.860"



DETAIL A

REPRODUCTION FORBIDDEN
PATENT PENDING

ANY REPRESENTATION, REPRODUCTION, INTEGRAL OR PARTIAL USE, DONE WITHOUT THE WRITTEN CONSENT OF INFRASTRUCTURES TO/GO INC. IS PROHIBITED, UNLAWFUL AND ILLEGAL. THIS DOCUMENT IS PROTECTED BY LAW. ANY NON-AUTHORIZED REPRESENTATION OR REPRODUCTION BY ANY METHOD WHATSOEVER, CONSTITUTES AN INFRINGEMENT WHICH WILL BE SANCTIONED, AS PROVIDED BY LAW.

927 Gaudette Street
Saint-Jean-sur-Richelieu (Quebec)
Canada J3B 7S7

Phone : (450) 359-4000
Fax : (450) 359-4242
www.decktogo.com



MATERIAL		MASS	60.715 lbm
DO NOT MEASURE	SCALE	DRAWN BY	DESIGN
	1:10	DATE	2018-06-21
THE DIMENSIONS ARE IN INCHES	DECK TYPE		
	N/A		
REMOVE CUTTING EDGES	TITLE		
	SB_SERIES_3'X4'_DECK_842315058150		