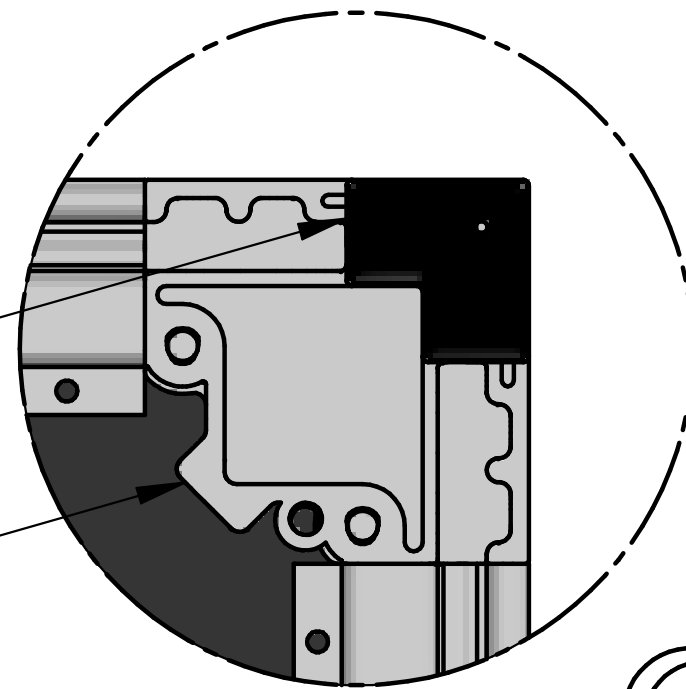


ITEM NUMBER	QTY.	DESCRIPTION	SKU	NOTE
1	4	CORNER_SB_842315050611	842315050611	MUST BE GLUED WITH A HIGH ADHESIVE GLUE THAT CLAIM TO BE RESISTANT TO IMPACT AND VIBRATION SUCH AS LOCTITE 380
2	2	EXTRUSION PLY_LIP 2'_842315050833	842315050833	REAL LENGTH : 1'-4"
3	2	EXTRUSION PLY_LIP 3'_842315059171	842315050703	REAL LENGTH : 3'-4"
4	1	PLYWOOD SHEET 3' X 2'_WITH HEXAGRIP FINISH_842315059195	842315059195	REAL SIZE : 2'-11.625" X 1'-11.625"
5	4	RUBBER CORNER_842315050512	842315050512	MUST BE GLUED WITH AN INSTANT ADHESIVE GLUE SUCH AS LOCTITE QUICKTITE (PART NO. 39202)

DECK THICKNESS : 3.860"

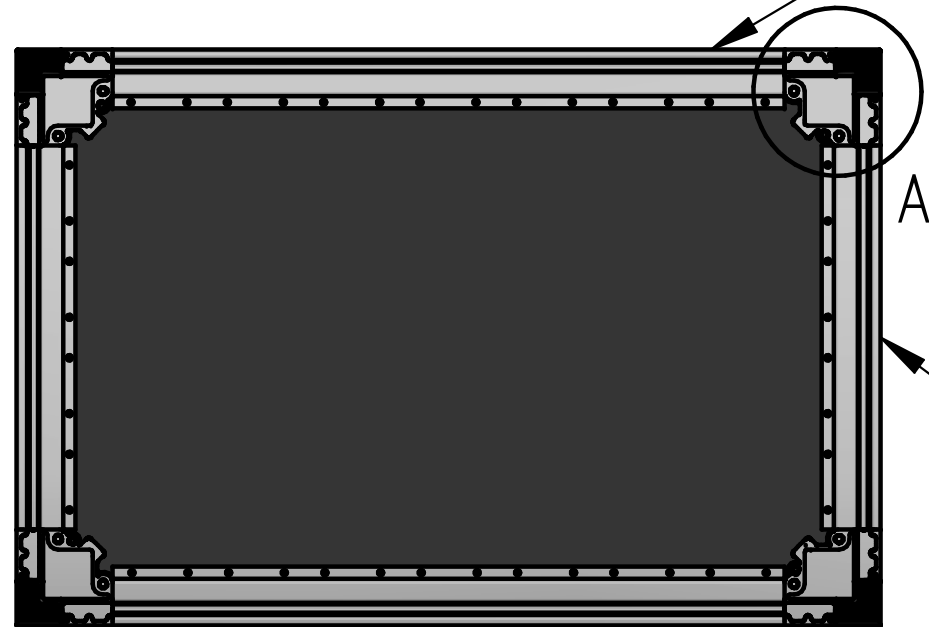


REPRODUCTION FORBIDDEN
PATENT PENDING

ANY REPRESENTATION, REPRODUCTION, INTEGRAL OR PARTIAL USE, DONE WITHOUT THE WRITTEN CONSENT OF INFRASTRUCTURES TO/GO INC. IS PROHIBITED, UNLAWFUL AND ILLEGAL. THIS DOCUMENT IS PROTECTED BY LAW. ANY NON-AUTHORIZED REPRESENTATION OR REPRODUCTION BY ANY METHOD WHATSOEVER, CONSTITUTES AN INFRINGEMENT WHICH WILL BE SANCTIONED, AS PROVIDED BY LAW.

927 Gaudette Street
Saint-Jean-sur-Richelieu (Quebec)
Canada J3B 7S7

Phone : (450) 359-4000
Fax : (450) 359-4242
www.decktogo.com



MATERIAL	DO NOT MEASURE	SCALE	MASS	36.015 lbm
THE DIMENSIONS ARE IN INCHES	1:8	DRAWN BY	DESIGN	
REMOVE CUTTING EDGES		DATE	2018-06-21	
		DECK TYPE	N/A	
		TITLE	SB_SERIES_3'X2'_DECK_842315058143	