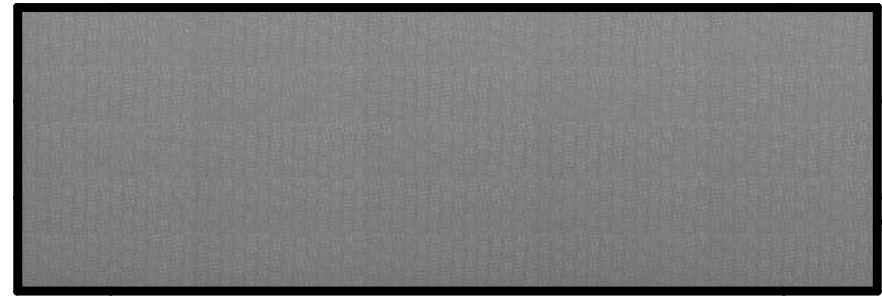
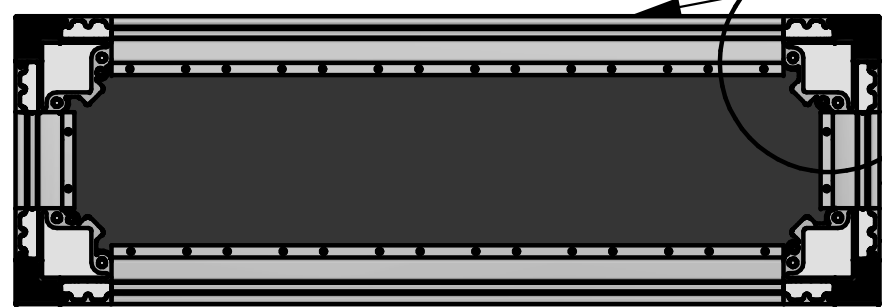


ITEM NUMBER	QTY.	DESCRIPTION	SKU	NOTE
1	2	CUSTOM I'_CORNER_SB_LEFT_842315050918	842315050918	MUST BE GLUED WITH A HIGH ADHESIVE GLUE THAT CLAIM TO BE RESISTANT TO IMPACT AND VIBRATION SUCH AS LOCTITE 380
2	2	CUSTOM I'_CORNER_SB_RIGHT_842315050901	842315050901	MUST BE GLUED WITH A HIGH ADHESIVE GLUE THAT CLAIM TO BE RESISTANT TO IMPACT AND VIBRATION SUCH AS LOCTITE 380
3	2	EXTRUSION PLY_LIP I'_842315050895	842315050895	REAL LENGTH : 4"
4	2	EXTRUSION PLY_LIP 3'_842315059171	842315050703	REAL LENGTH : 3'-4"
5	4	RUBBER CORNER_842315050512	842315050512	MUST BE GLUED WITH AN INSTANT ADHESIVE GLUE SUCH AS LOCTITE QUICKTITE (PART NO. 39202)
6	1	PLYWOOD SHEET 3' X 1'_WITH HEXAGRIP FINISH_842315059188	842315059188	REAL SIZE : 2'-11.626" X 11.626"

3'-.000"
[914.4mm]



1'-.000"
[304.8mm]



5

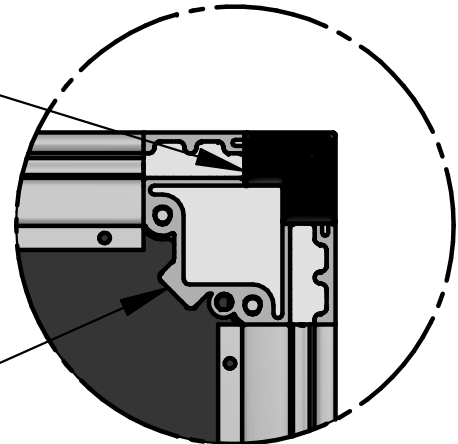
6

4

2

3

1



DETAIL A

DECK THICKNESS : 3.860"

REPRODUCTION FORBIDDEN
PATENT PENDING

ANY REPRESENTATION, REPRODUCTION, INTEGRAL OR PARTIAL USE, DONE WITHOUT THE WRITTEN CONSENT OF INFRASTRUCTURES TO/GO INC. IS PROHIBITED, UNLAWFUL AND ILLEGAL. THIS DOCUMENT IS PROTECTED BY LAW. ANY NON-AUTHORIZED REPRESENTATION OR REPRODUCTION BY ANY METHOD WHATSOEVER, CONSTITUTES AN INFRINGEMENT WHICH WILL BE SANCTIONED, AS PROVIDED BY LAW.

927 Gaudette Street
Saint-Jean-sur-Richelieu (Quebec)
Canada J3B 7S7

Phone : (450) 359-4000
Fax : (450) 359-4242
www.decktogo.com



MATERIAL		MASS	24.400 lbm
DO NOT MEASURE	SCALE	DRAWN BY	DESIGN
	1:2	DATE	2018-06-20
THE DIMENSIONS ARE IN INCHES	DECK TYPE		
	N/A		
REMOVE CUTTING EDGES	TITLE		
	SB_SERIES_3'X1'_DECK_842315058136		