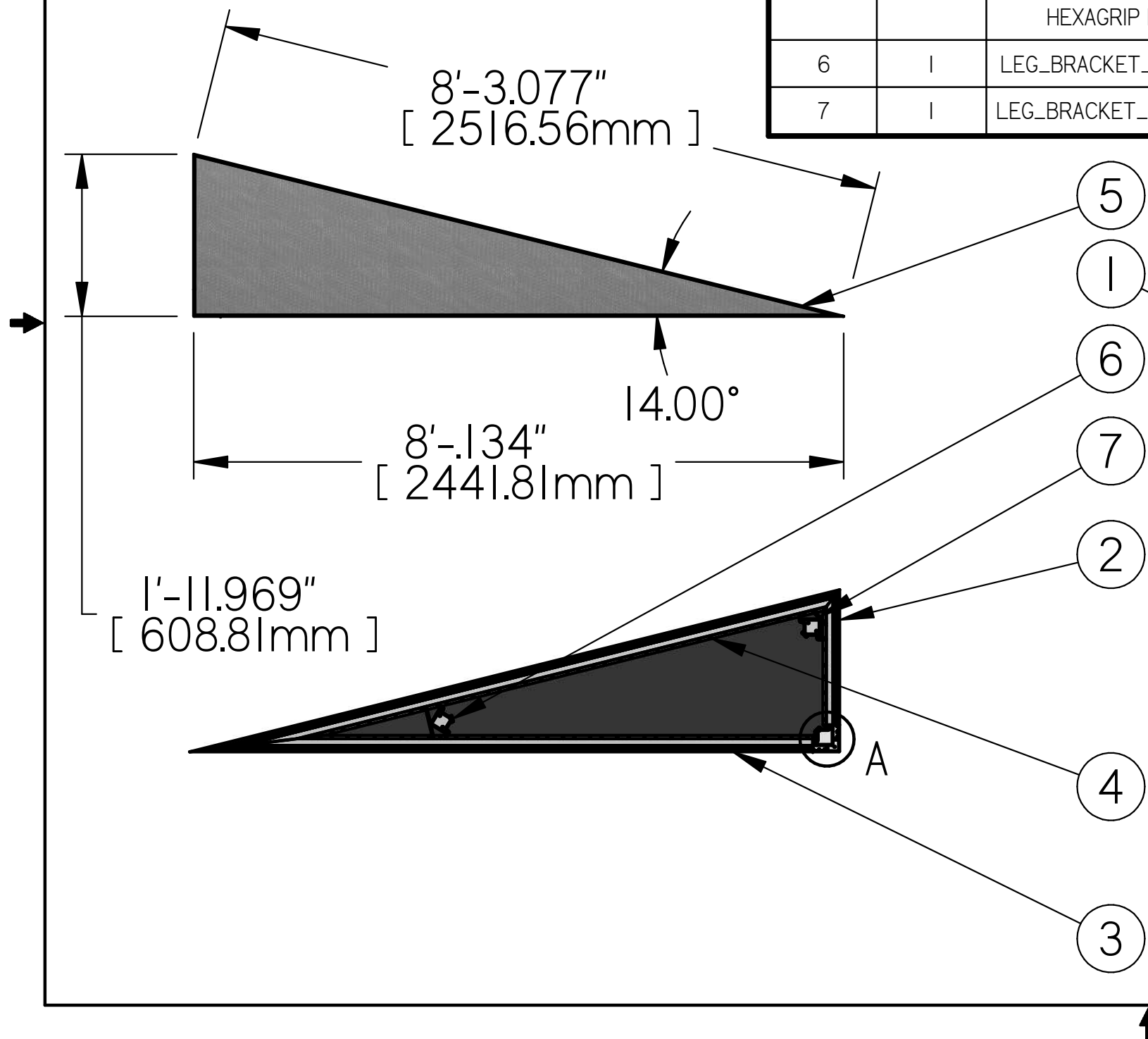
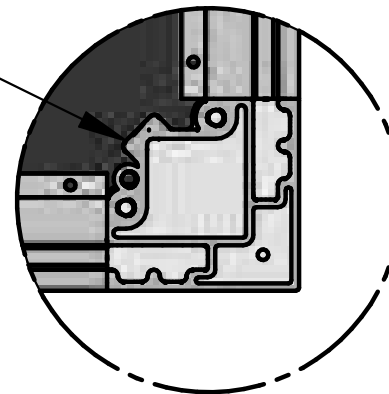


ITEM NUMBER	QTY.	DESCRIPTION	SKU	NOTE
1	1	CORNER_SB_842315050611	842315050611	MUST BE GLUED WITH A HIGH ADHESIVE GLUE THAT CLAIM TO BE RESISTANT TO IMPACT AND VIBRATION SUCH AS LOCTITE 380
2	1	DTG-T2X8-001_842314059400	842314059400	
3	1	DTG-T2X8-002_842314059417	842314059417	
4	1	DTG-T2X8-003_842314059424	842314059424	
5	1	PLYWOOD SHEET TRIANGLE 2' X 8'_WITH HEXAGRIP FINISH_842314059271	842314059271	REAL SIZE : 7'-10.5" X 1'-11.561" X 8'-1.393"
6	1	LEG_BRACKET_T2X8_001_842314059561	842314059561	
7	1	LEG_BRACKET_T2X8_002_842314059578	842314059578	



DECK THICKNESS : 3.730"



DETAIL A

**REPRODUCTION FORBIDDEN**  
PATENT PENDING

ANY REPRESENTATION, REPRODUCTION, INTEGRAL OR PARTIAL USE, DONE WITHOUT THE WRITTEN CONSENT OF INFRASTRUCTURES TO/GO INC. IS PROHIBITED, UNLAWFUL AND ILLEGAL. THIS DOCUMENT IS PROTECTED BY LAW. ANY NON-AUTHORIZED REPRESENTATION OR REPRODUCTION BY ANY METHOD WHATSOEVER, CONSTITUTES AN INFRINGEMENT WHICH WILL BE SANCTIONED, AS PROVIDED BY LAW.

927 Gaudette Street  
Saint-Jean-sur-Richelieu (Quebec)  
Canada J3B 7S7

Phone : (450) 359-4000  
Fax : (450) 359-4242  
www.decktogo.com



MATERIAL	DO NOT MEASURE	SCALE	MASS
	THE DIMENSIONS ARE IN INCHES	1:20	49.955 lbm
REMOVE CUTTING EDGES			DRAWN BY DESIGN
			DATE 2018-06-21
		DECK TYPE	N/A
		TITLE	SB_SERIES_2'X8'_TRIANGLE DECK