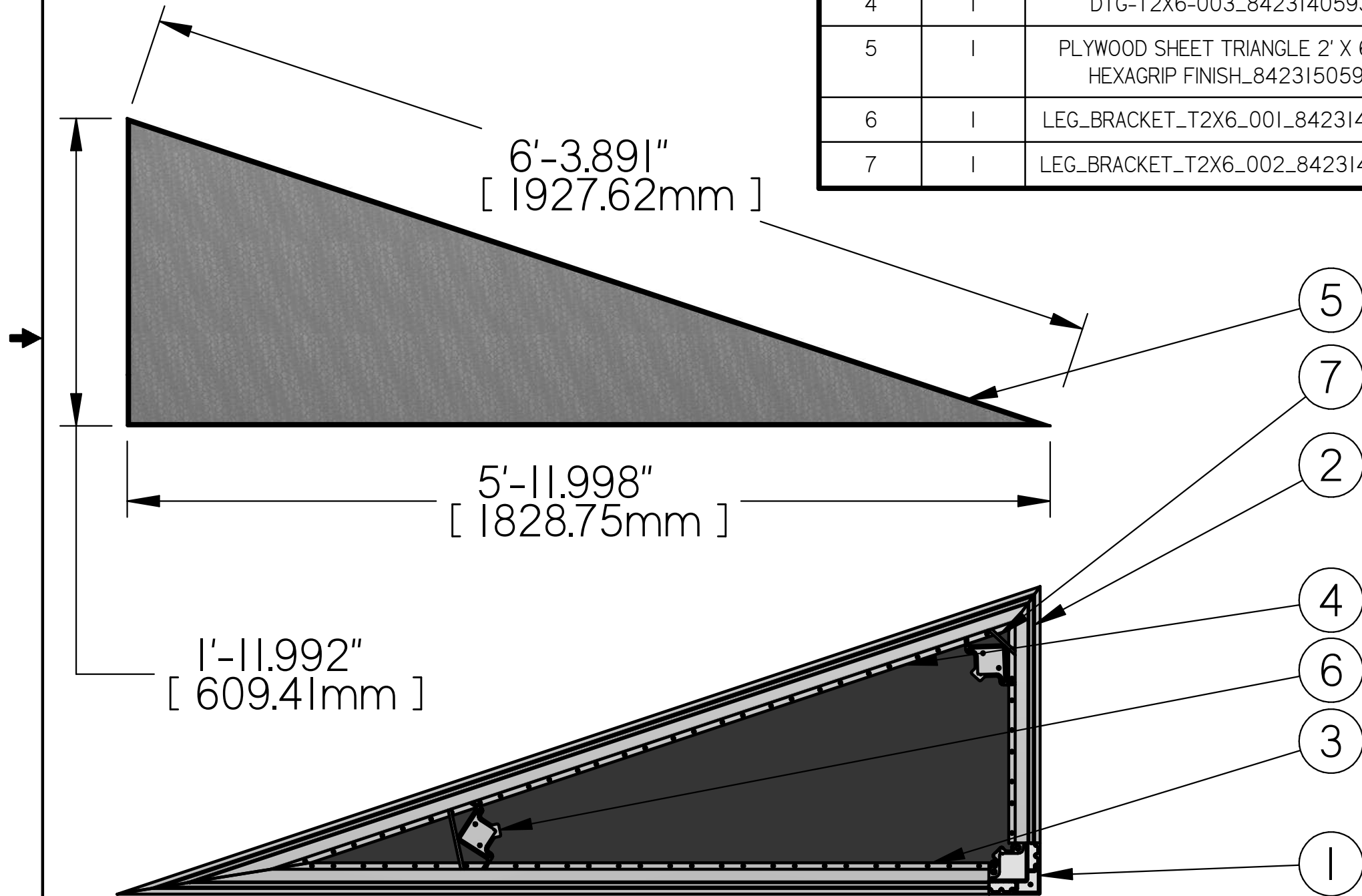


ITEM NUMBER	QTY.	DESCRIPTION	SKU	NOTE
1	1	CORNER_SB_842315050611	842315050611	MUST BE GLUED WITH A HIGH ADHESIVE GLUE THAT CLAIM TO BE RESISTANT TO IMPACT AND VIBRATION SUCH AS LOCTITE 380
2	1	DTG-T2X6-001_842314059370	842314059370	
3	1	DTG-T2X6-002_842314059387	842314059387	
4	1	DTG-T2X6-003_842314059394	842314059394	
5	1	PLYWOOD SHEET TRIANGLE 2' X 6'_WITH HEXAGRIP FINISH_842315059126	842315059126	REAL SIZE : 5'-10.65" X 1'-11.543" X 6'-2.649"
6	1	LEG_BRACKET_T2X6_001_842314059547	842314059547	
7	1	LEG_BRACKET_T2X6_002_842314059554	842314059554	



DECK THICKNESS : 3.730"

**REPRODUCTION FORBIDDEN**  
PATENT PENDING

ANY REPRESENTATION, REPRODUCTION, INTEGRAL OR PARTIAL USE, DONE WITHOUT THE WRITTEN CONSENT OF INFRASTRUCTURES TO/GO INC. IS PROHIBITED, UNLAWFUL AND ILLEGAL. THIS DOCUMENT IS PROTECTED BY LAW. ANY NON-AUTHORIZED REPRESENTATION OR REPRODUCTION BY ANY METHOD WHATSOEVER, CONSTITUTES AN INFRINGEMENT WHICH WILL BE SANCTIONED, AS PROVIDED BY LAW.

927 Gaudette Street  
Saint-Jean-sur-Richelieu (Quebec)  
Canada J3B 7S7

Phone : (450) 359-4000  
Fax : (450) 359-4242  
www.decktogo.com



MATERIAL	DO NOT MEASURE	SCALE	MASS	39.024 lbm
	THE DIMENSIONS ARE IN INCHES	1:10	DRAWN BY	DESIGN
	REMOVE CUTTING EDGES		DATE	2018-06-21
		DECK TYPE	N/A	
		TITLE	SB_SERIES_2'X6'_TRIANGLE DECK	