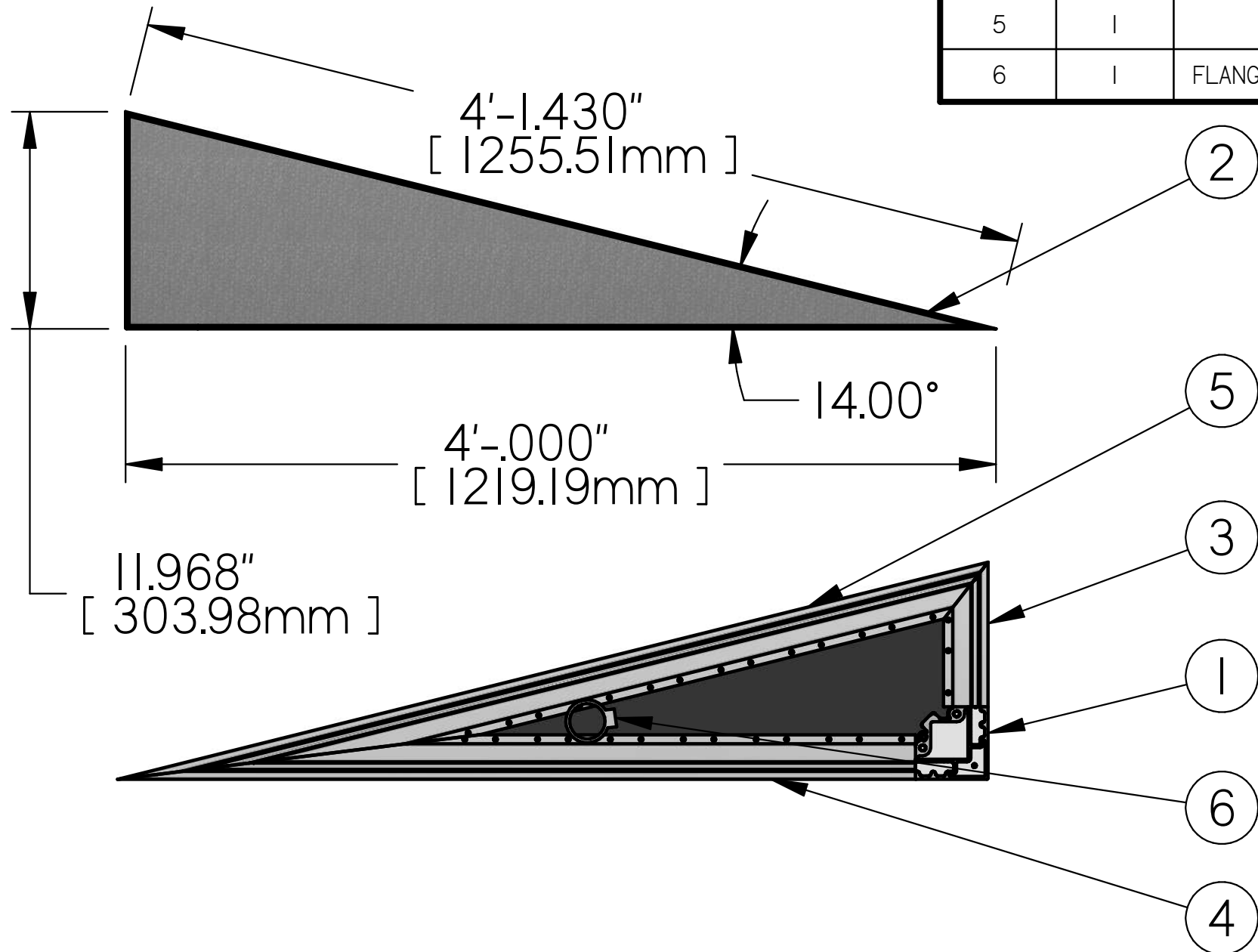


ITEM NUMBER	QTY.	DESCRIPTION	SKU	NOTE
1	1	CORNER_SB_842315050611	842315050611	MUST BE GLUED WITH A HIGH ADHESIVE GLUE THAT CLAIM TO BE RESISTANT TO IMPACT AND VIBRATION SUCH AS LOCTITE 380
2	1	PLYWOOD SHEET TRIANGLE 1' X 4'_WITH HEXAGRIP FINISH_842315059102	842315059102	REAL SIZE : 3'-10.3" X 11.544" X 3'-11.717"
3	1	DTG-TIX4-001_842314059318	842314059318	
4	1	DTG-TIX4-002_842314059325	842314059325	
5	1	DTG-TIX4-003_842314059332	842314059332	
6	1	FLANGE_LEG_BRACKET_TIX4_001_842314059639	842314059639	



DECK THICKNESS : 3.730"

REPRODUCTION FORBIDDEN
PATENT PENDING

ANY REPRESENTATION, REPRODUCTION, INTEGRAL OR PARTIAL USE, DONE WITHOUT THE WRITTEN CONSENT OF INFRASTRUCTURES TO/GO INC. IS PROHIBITED, UNLAWFUL AND ILLEGAL. THIS DOCUMENT IS PROTECTED BY LAW. ANY NON-AUTHORIZED REPRESENTATION OR REPRODUCTION BY ANY METHOD WHATSOEVER, CONSTITUTES AN INFRINGEMENT WHICH WILL BE SANCTIONED, AS PROVIDED BY LAW.

927 Gaudette Street
Saint-Jean-sur-Richelieu (Quebec)
Canada J3B 7S7

Phone : (450) 359-4000
Fax : (450) 359-4242
www.decktogo.com



MATERIAL		MASS	18.338 lbm
DO NOT MEASURE	SCALE	DRAWN BY	DESIGN
	1:8	DATE	2018-06-21
THE DIMENSIONS ARE IN INCHES	DECK TYPE N/A		
REMOVE CUTTING EDGES	TITLE SB_SERIES_1'X4'_TRIANGLE DECK_842315058198		