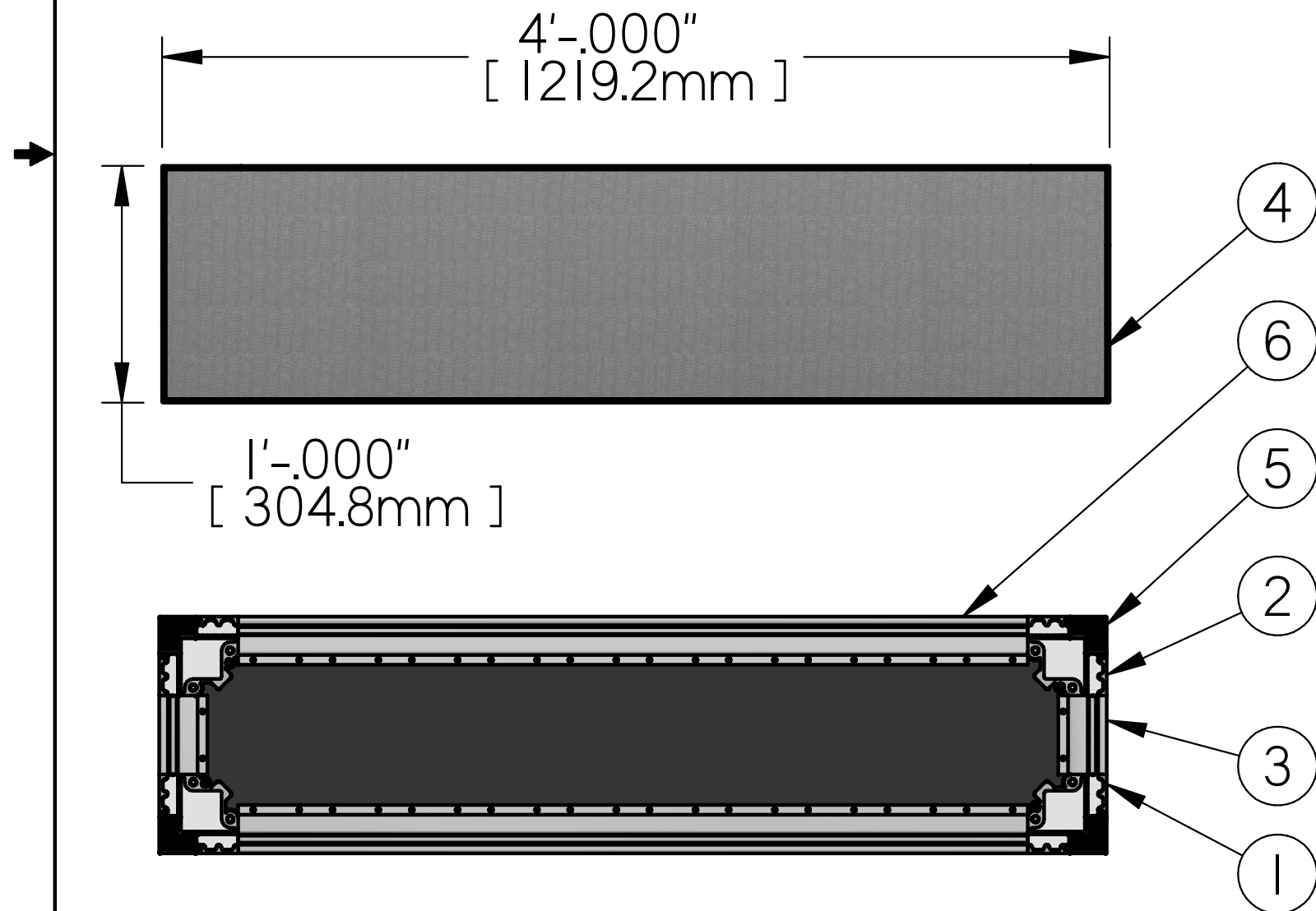


ITEM NUMBER	QTY.	DESCRIPTION	SKU	NOTE
1	2	CUSTOM I'_CORNER_SB_LEFT_842315050918	842315050918	MUST BE GLUED WITH A HIGH ADHESIVE GLUE THAT CLAIM TO BE RESISTANT TO IMPACT AND VIBRATION SUCH AS LOCTITE 380
2	2	CUSTOM I'_CORNER_SB_RIGHT_842315050901	842315050901	MUST BE GLUED WITH A HIGH ADHESIVE GLUE THAT CLAIM TO BE RESISTANT TO IMPACT AND VIBRATION SUCH AS LOCTITE 380
3	2	EXTRUSION PLY_LIP I'_842315050895	842315050895	REAL LENGTH : 4"
4	1	PLYWOOD SHEET 1' X 4'_WITH HEXAGRIP FINISH_842315059164	842315059164	REAL SIZE : 3'-11.625" X 11.625"
5	4	RUBBER CORNER_842315050512	842315050512	MUST BE GLUED WITH AN INSTANT ADHESIVE GLUE SUCH AS LOCTITE QUICKTITE (PART NO. 39202)
6	2	EXTRUSION PLY_LIP 4'_842315050703	842315050703	REAL LENGTH : 3'-4"



DECK THICKNESS : 3.860"

**REPRODUCTION FORBIDDEN**  
PATENT PENDING

ANY REPRESENTATION, REPRODUCTION, INTEGRAL OR PARTIAL USE, DONE WITHOUT THE WRITTEN CONSENT OF INFRASTRUCTURES TO/GO INC. IS PROHIBITED, UNLAWFUL AND ILLEGAL. THIS DOCUMENT IS PROTECTED BY LAW. ANY NON-AUTHORIZED REPRESENTATION OR REPRODUCTION BY ANY METHOD WHATSOEVER, CONSTITUTES AN INFRINGEMENT WHICH WILL BE SANCTIONED, AS PROVIDED BY LAW.

927 Gaudette Street  
Saint-Jean-sur-Richelieu (Quebec)  
Canada J3B 7S7

Phone : (450) 359-4000  
Fax : (450) 359-4242  
www.decktogo.com



MATERIAL	DO NOT MEASURE	SCALE	MASS
	THE DIMENSIONS ARE IN INCHES	1:8	30.068 lbm
REMOVE CUTTING EDGES			DRAWN BY DESIGN
			DATE 2018-06-18
			DECK TYPE N/A
			TITLE SB_SERIES_1'X4'_DECK_842315002887