

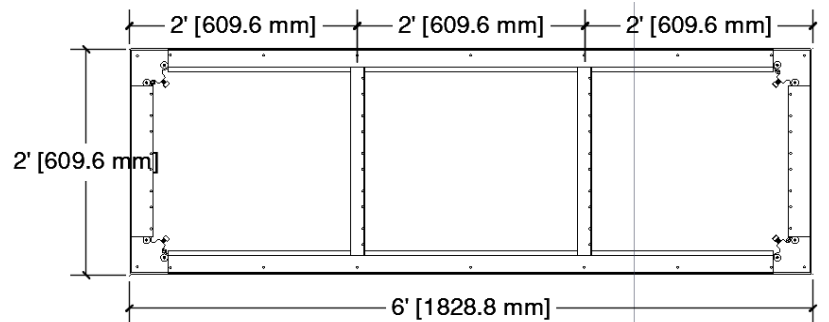
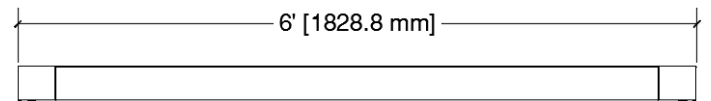
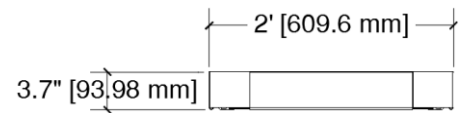
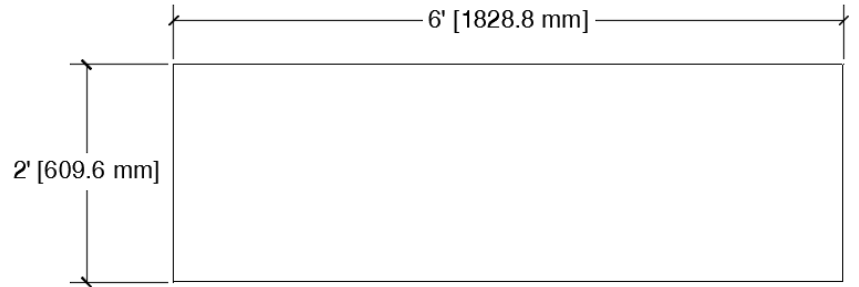


**TO GO INFRASTRUCTURES INC.**  
 927 GAUDETTE STREET  
 SAINT-JEAN-SUR-RICHELIEU, QUÉBEC  
 J3B 7S7 Canada

**PHONE** (01) 450.359.4000  
**TOLL FREE** 1 844.2GO.2014  
**FAX** (01) 450.359.4242

**INFO@TOGOCORP.COM**

**HEAVY DUTY PREMIUM ALUMINUM DECK WITH HEXAGRIP FINISH 2'x6'**



<b>SKU</b>	842315002573
<b>Dimensions</b>	2' x 6' x 3.7"   609.6mm x 1828.8mm x 93.98mm
<b>Weight</b>	62.5 lbs - 28.35 kg
<b>Load Capacity</b>	300 lbs/sq.ft.
<b>Material</b>	Aluminium 6063 Hexagrip Plywood (outdoor grade)
<b>Leveling</b>	Threaded hole in each corner 3/8-16 or M10
<b>Tool(s) needed</b>	5/16" Allen key
<b>Color/paint</b>	Natural Mill Finish
<b>Link to website</b>	<a href="#">(Click here)</a>
<b>Description</b>	The heavy duty premium deck series offers ratings from 100 lb/sqft to 300 lb/sqft. This is the ultimate product for stages, tiered seatings, heavy duty event floorings and rolling risers. The premium aluminium deck will not rust. This deck is very versatile, durable, safe and cost effective. Available in different sizes. This product utilizes our patented Union Clips. Roto locks are no longer needed. If you are looking for a cheaper solution, see our SB44LC deck module.