

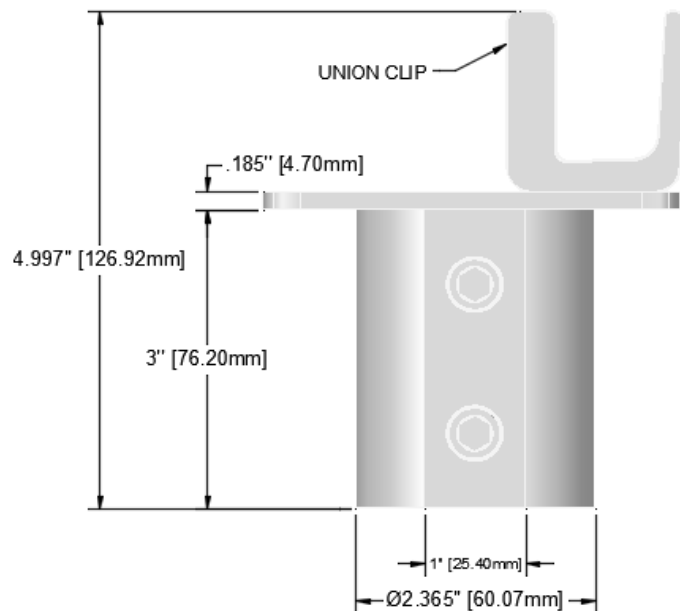
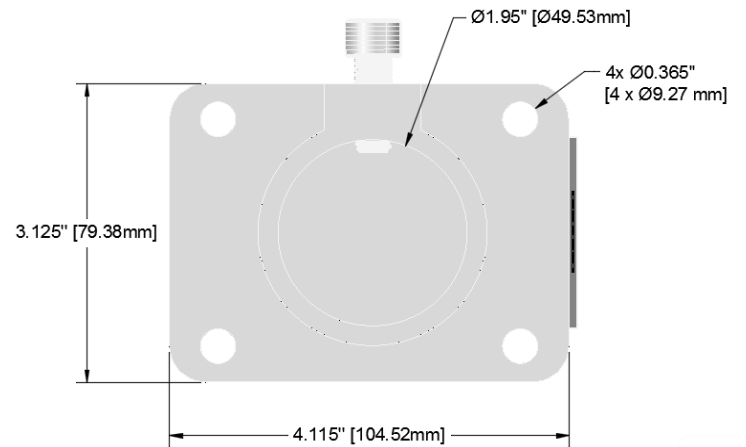
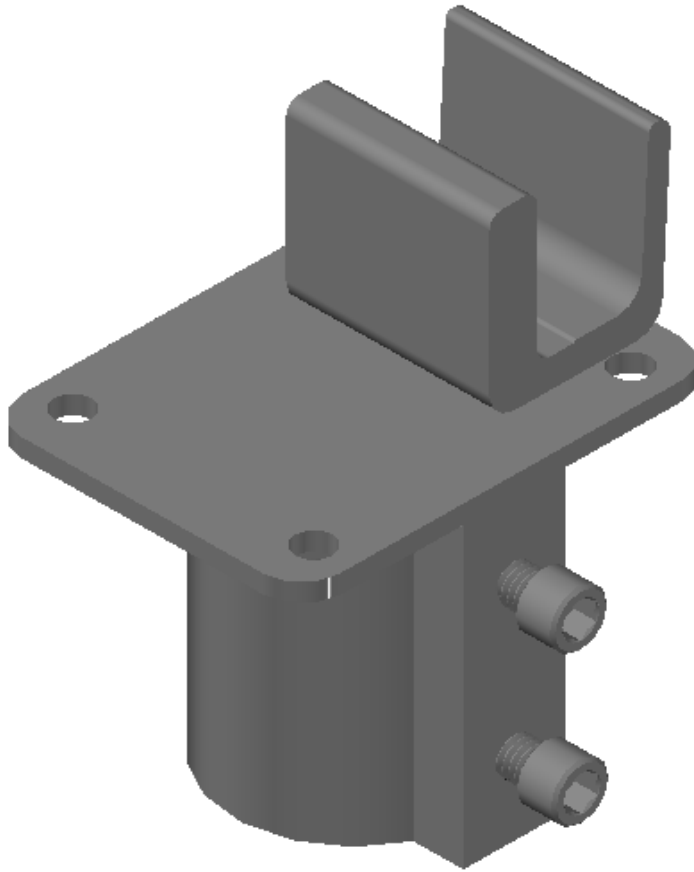


**TO GO INFRASTRUCTURES INC.**  
927 GAUDETTE STREET  
SAINT-JEAN-SUR-RICHELIEU, QUÉBEC  
J3B 7S7 Canada

**PHONE** (01) 450.359.4000  
**TOLL FREE** 1 844.2GO.2014  
**FAX** (01) 450.359.4242

**INFO@TOGOCORP.COM**

## CLIP ON LEG BRACKET



SKU	842315053322
Dimensions	3.125" x 4.115" x 4.997"   79.38mm x 104.52mm x 126.92mm
Weight	1.2 lbs - 0.54 kg
Load Capacity	2000 lbs
Material	Aluminium 6063
Leveling	N/A
Tool(s) needed	5/16" Allen key
Color/paint	Natural Mill Finish
Link to website	<a href="#">(Click here)</a>
Description	Allows you to create a leg anchor for any OL, SB and Cassette Deck system. Useful to add reinforcement. This can also be used with Helical pile and Cassette Deck to link the Pile to the Cassette Deck.