

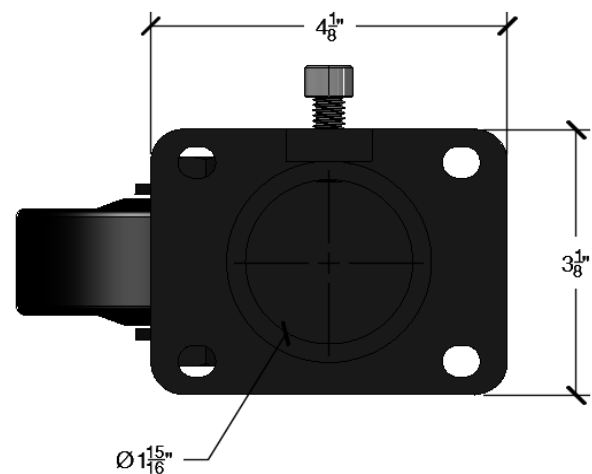
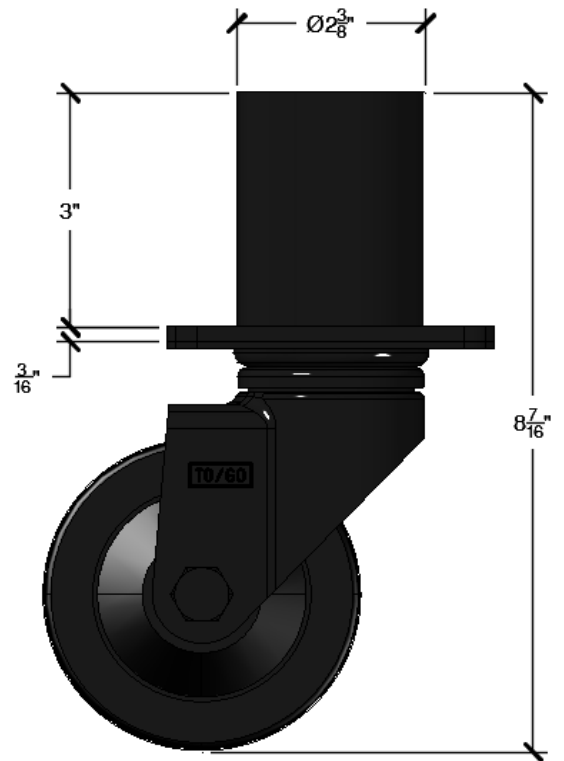
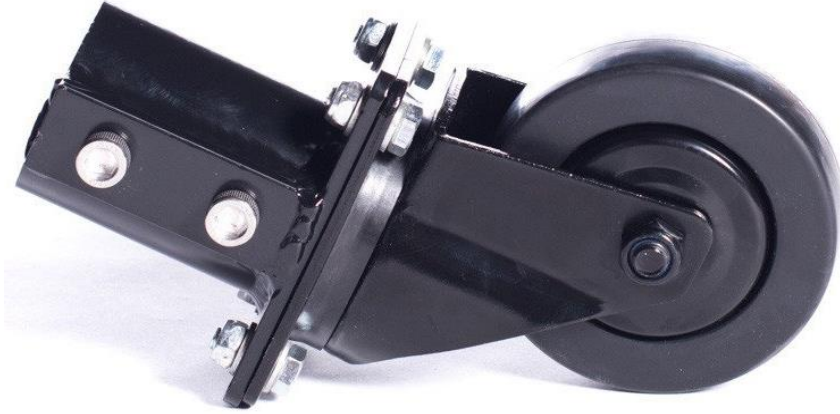


**TO GO INFRACTURES INC.**  
927 GAUDETTE STREET  
SAINT-JEAN-SUR-RICHELIEU, QUÉBEC  
J3B 7S7 Canada

**PHONE** (01) 450.359.4000  
**TOLL FREE** 1 844.2GO.2014  
**FAX** (01) 450.359.4242

**INFO@TOGOCORP.COM**

## BLACK WHEEL BRACKET NON LOCKING (INCLUDES WHEEL)



SKU	842315020256
Dimensions	3.125" x 4.125" x 3.1875"   79.375mm x 104.775mm x 80.9625mm
Weight	3.5 lbs - 1.59 kg
Load Capacity	400 lbs
Material	Aluminium 6063 Steel Plastic
Leveling	N/A
Tool(s) needed	5/16" Allen key
Color/paint	Black
Link to website	<a href="#">(Click here)</a>
Description	This all black wheel bracket, which includes the wheel, is available in a locking or non-locking version. Fits any length of 2" pipe, or the aluminium legs.