

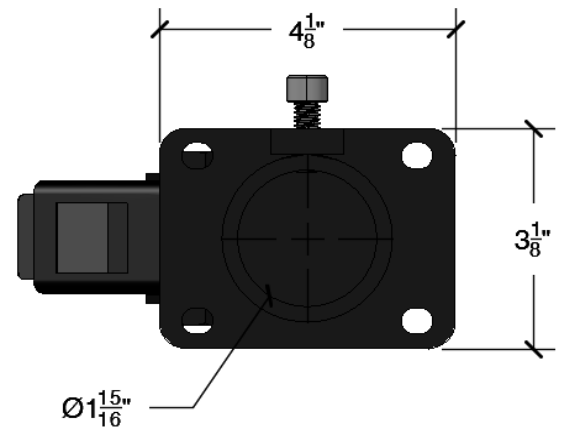
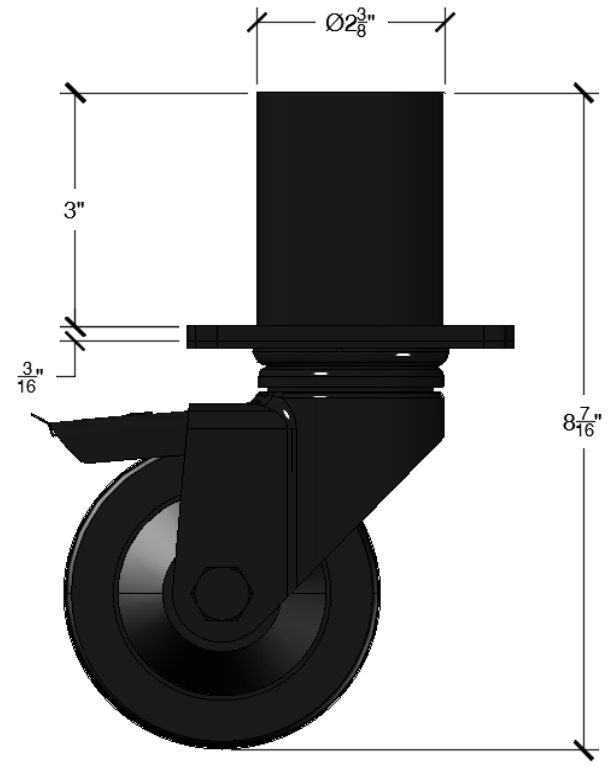


**TO GO INFRACTURES INC.**  
 927 GAUDETTE STREET  
 SAINT-JEAN-SUR-RICHELIEU, QUÉBEC  
 J3B 7S7 Canada

**PHONE** (01) 450.359.4000  
**TOLL FREE** 1 844.2GO.2014  
**FAX** (01) 450.359.4242

**INFO@TOGOCORP.COM**

**BLACK WHEEL BRACKET LOCKING (INCLUDES WHEEL)**



<b>SKU</b>	842315020294
<b>Dimensions</b>	3.125" x 4.125" x 3.1875"   79.375mm x 104.775mm x 80.9625mm
<b>Weight</b>	4 lbs - 1.81 kg
<b>Load Capacity</b>	400 lbs
<b>Material</b>	Aluminium 6063 Steel Plastic
<b>Leveling</b>	N/A
<b>Tool(s) needed</b>	5/16" Allen key
<b>Color/paint</b>	Black
<b>Link to website</b>	<a href="#">(Click here)</a>
<b>Description</b>	This all black wheel bracket, which includes the wheel, is available in a locking or non-locking version. Fits any length of 2" pipe, or the aluminium legs.