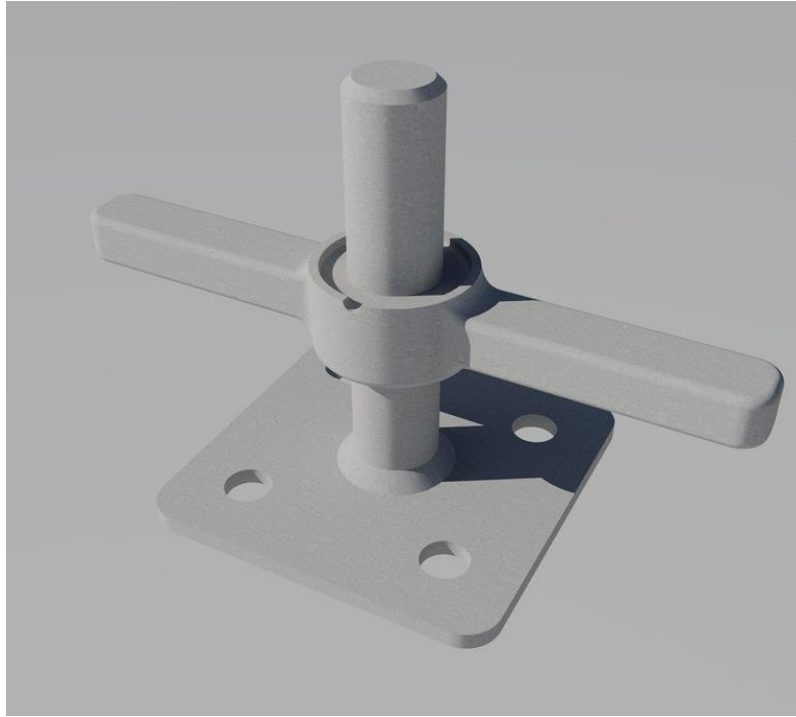




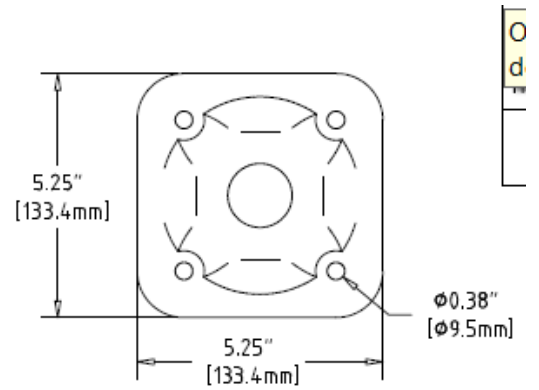
/TO GO INFRASTRUCTURES INC.
927 GAUDETTE STREET
SAINT-JEAN-SUR-RICHELIEU, QUÉBEC
J3B 7S7 Canada

/ INFO@DECKTOGO.COM
TOLL FREE 1 844.2GO.2014

Adjustment Jack



SKU	842315020089
Dimensions	6" total height
Weight	3 lbs
Load Capacity	51kn at 2:1 (11 465 lbs)
Material	Galvanized Iron Casting
Color/paint	Galvanized or Zinc plated
Link to website	(Click here)
Description	The adjustment jack allows for adjustments of the height of the riser or the deck. To be used with the aluminum legs. Available in different sizes. The usable adjustment is 4". Can be cut to size to smaller dimensions.



Part 3 details

