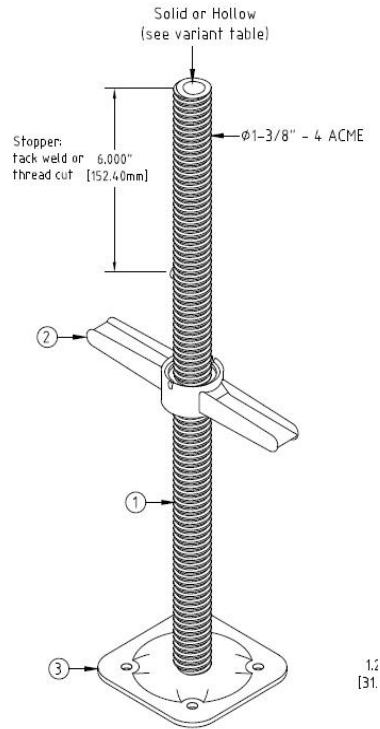
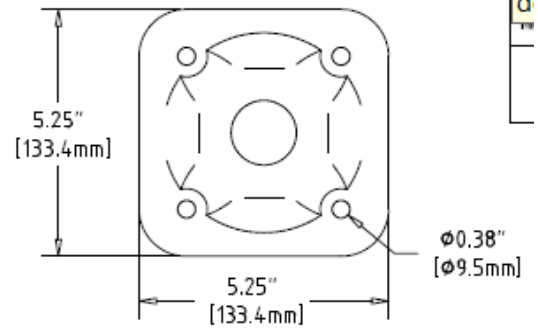


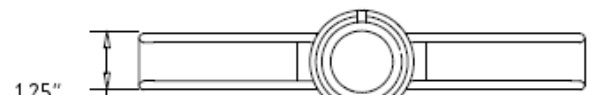
**24" Adjustment Jack**



|                 |   |
|-----------------|---|
| SKU             | 842315020096  |
| Dimensions      | 24" total height  |
| Weight          | 6.6 lbs   |
| Load Capacity   | 51kn at 2:1 ( 11 465 lbs)   |
| Material        | Galvanized Iron Casting   |
| Color/paint     | Galvanized or Zinc plated   |
| Link to website | <a href="#">(Click here)</a>  |
| Description     | The adjustment jack allows for adjustments of the height of the riser or the deck. To be used with the aluminum legs. Available in different sizes. The usable adjustment is 18". Can be cut to size to smaller dimensions. |



Part 3 details



TO GO