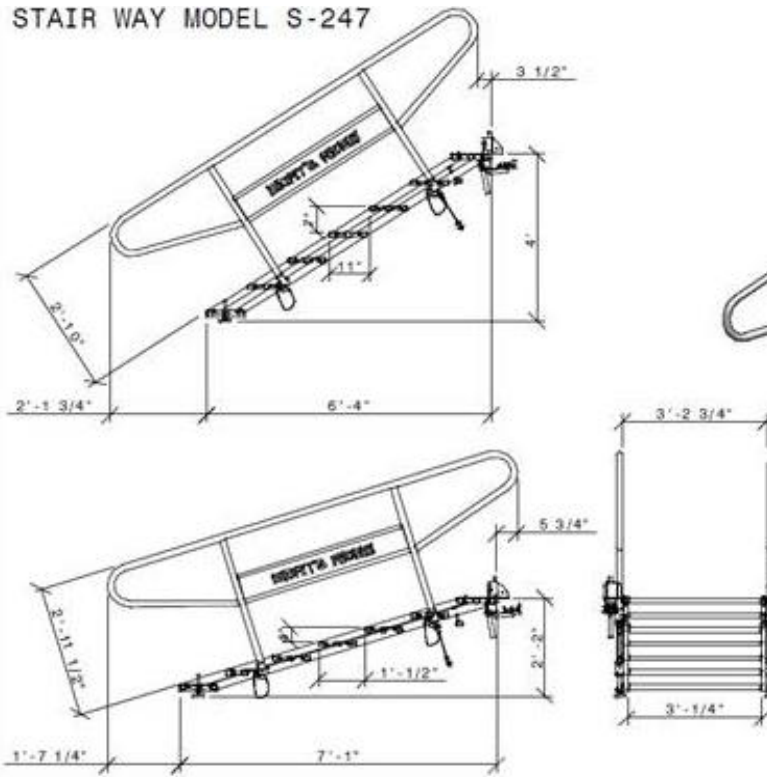


Adjustable Staircase 2' to 4'



SKU	842315002719
Dimensions	2' to 4'
Weight	206 lb
Load Capacity	100 psf
Material	Aluminum 6063
Used for	Stage access
Adjustable	No
Color/paint	Aluminum
Link to website	(Click here)
Description	Facilitates the access to stages or decks. The staircase can be installed at various angles and it is non-slippery. It is made of an alloy of aluminum and steel which increases the durability and strength. Available in different sizes.