

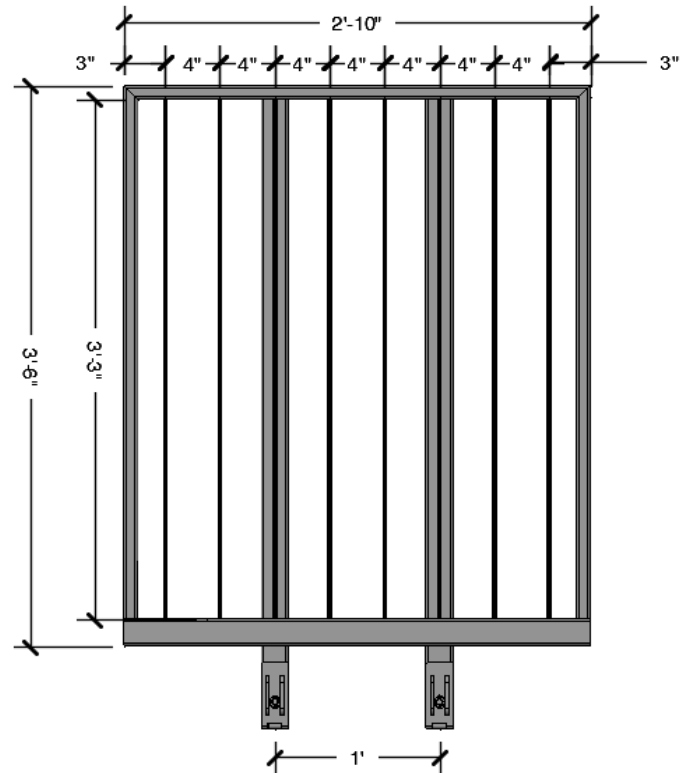


/ TO GO INFRASTRUCTURES INC.
927 GAUDETTE STREET
SAINT-JEAN-SUR-RICHELIEU, QUÉBEC
J3B 7S7 Canada

/ PHONE (01) 450.359.4000
TOLL FREE 1 844.2GO.2014
FAX (01) 450.359.4242

/ INFO@TOGOCORP.COM

ALUMINIUM GUARDRAIL FRAME (CODE COMPLIANT FOR PUBLIC USE) BLACK FINISH 3'x42"



SKU	842315051311
Dimensions	3' x 42" 914.4mm x 1066.8mm
Weight	22.5 lbs - 10.21 kg
Load Capacity	50 lbs/lin.ft. as per IBC
Material	Aluminium 6063
Leveling	N/A
Tool(s) needed	Ratchet with 3/4" box
Color/paint	Black Coating
Link to website	(Click here)
Description	These aluminium guardrails come in sizes 1'-4' X 36" and 1'-4' X42. These are designed for use with public. These guardrails are available in 2 different finishes; aluminium mill finish or aluminium black coating. Union links must be used (click here) .