



User Manual

WORKZONE[®] TITANIUM+

61865 220W 3 IN 1 MULTI PURPOSE SANDER



Product
Info



+ VIDEO

<https://help.tools/>

Read all safety warnings and all instructions thoroughly before operating this product.

Ensure you keep your manual in a safe place for future reference.

IM ed 7; 09/2018



QR codes take you where you want to go quickly and easily

Whether you require product information, spare parts or accessories, details on warranties or aftersales service, or if you want to watch a product demonstration video, our QR codes will take you there in no time at all.

What is a QR code?

A QR-code (QR=Quick Response) is a type of matrix that can be read with a smartphone camera and that contains a link to a website or contact details, for example.

Advantage: You are not required to manually enter a website address or contact details.

How it works

To scan the QR code, all you need is a smartphone with QR codes reader software and an Internet connection*. This type of software can be downloaded for free from your smartphone's app store.

Try it out now

Just scan the QR code with your smartphone and find out more about the Aldi product you have purchased*.



Contents

Pack Contents /Parts	2
Description of Symbols	3
General power tool safety warnings	4
Specific Safety Instructions	8
Parts List	10
Assembly	12
Fitting/changing the sander plates – Triangular Sander Plate	12
Fitting/changing the sander plates – Random Orbital Sander Plate	14
Preparation	14
Selecting the suitable sanding sheet	14
Fitting / Attaching the sanding sheet	15
Attaching sanding sheets using Velcro	15
Attaching sanding sheets without using Velcro	16
Dust extraction	16
Fitting the Dust collection box	17
Using the Reducer for external extraction appliances	17
Connecting the Reducer for external extraction appliance	17
Operation	18
Switching on and off	18
Setting the oscillating speed	18
Working procedures / Operating Tips	19
Maintenance	20
Cleaning the Dust collection box	20
Maintenance and Cleaning	20
Transport & Storage	20
Warranty	21
Environmental protection	21
What your 3 year warranty means	22
Accessories and After Sales parts	23
Troubleshooting	24
Technical Specifications	25

* Depending on your tariff you may be charged for the connection.

Pack contents / parts

Congratulations on the purchase of your WORKZONE® TITANIUM 220W 3 in 1 Multi Purpose Sander. When you open your packaging, first remove all items and check there are no parts damaged or missing. If you find anything wrong, do not operate the product until the parts have been replaced or the fault has been rectified. Failure to do so could result in serious personal injury.

Intended use of the 220W 3 in 1 Multi Purpose Sander

NOTE: This product is for private domestic DIY use only.

It is not suitable for commercial, industrial or trade use.

This product is suitable for private home use i.e suitable for dry sanding of wood, plastic, metal, and also painted surfaces. The sander is particularly suitable for corners, edges and hard-to-reach areas.

IMPORTANT INFORMATION.

NOTE: First time users or inexperienced operators pay particular attention to the operation of the 220W 3 in 1 Multi Purpose Sander, including details of assembling and preparation on pages 12-18, Operation on pages 18-19 and maintenance procedures on page 20.

Contents of carton

1 x 220W 3 in 1 Multi Purpose Sander (with rectangle base fitted)	4 x Screws + Washers (for base application)
3 x Bases (Random Orbit, Triangle & Rectangle) (rectangle fitted on unit)	1 x Carry Case
1 x Dust Extraction Adaptor	6 x Assorted Sanding Sheets
8 x Rubber pins (4 already fitted on the sander with the rectangle sander plate, 4 separate for the fitting of the triangular sanding plate)	1 x Instruction Manual
	1 x Warranty Card & Certificate

Description of symbols

The rating plate on your product may show symbols. These represent important information about the product or instructions on its use.



Conforms to relevant standards for electrical safety and electromagnetic compatibility.



Read these instructions for use carefully.



36 Month Warranty Period.



Wear Safety Gloves.



Wear breathing protection.



Wear hearing protection.



Wear eye protection.



This sander is double insulated. There are two independent barriers of insulation to protect you from the possibility of electric shock.



Warning.



Disconnect the product from mains power before undertaking any maintenance tasks.



DO NOT touch the sander base while in use.

General power tool safety warnings

This appliance is not intended for use by persons (including children) with reduced physical, sensory or mental abilities or lacking experience and/or knowledge, unless they are supervised by a person responsible for their safety or are instructed by these persons on the use of the appliance. Children should be supervised, to ensure that they do not play with the appliance.

Check the power cord and mains plug regularly for damage. If the supply cord or mains plug is damaged, discontinue use immediately and have it inspected and replaced by a qualified electrician in order to avoid a hazard.

Always unplug the appliance after use and before cleaning or changing the filters or accessories.



WARNING! Read all safety warnings, instructions, illustrations and specifications provided with this power tool.

Failure to follow all instructions listed below may result in electric shock, fire and/or serious injury.

Save all warnings and instructions for future reference.

The term “power tool” in the warnings refers to your mains-operated (corded) power tool or battery-operated (cordless) power tool.

1. Work area safety

- a. **Keep work area clean and well lit.** Cluttered or dark areas invite accidents. Rags, cloths, cord, string and similar items should never be left around the work area.
- b. **Do not operate power tools in explosive environments, such as in the presence of flammable liquids, gases, or dust.** Power tools create sparks, which may ignite the dust or fumes.
- c. **Keep children and bystanders away while operating a power tool.** Distractions can cause the operator to lose control.

2. Electrical safety

- a. **Power tool plugs must match the outlet. Never modify the plug in any way.** Do not use any adapter plugs with earthed (grounded) power tools. Unmodified plugs and matching outlets will reduce risk of electric shock.
- b. **Avoid body contact with earthed or grounded surfaces such as pipes, radiators, ranges and refrigerators.** There is increased risk of electric shock if your body is earthed or grounded.
- c. **Do not expose power tools to rain or wet conditions.** Water entering a power tool will increase the risk of electric shock.
- d. **Do not abuse the cord.** Never use the cord for carrying, pulling or unplugging the power tool. Keep cord away from heat, oil, sharp edges or moving parts. Replace damaged cords immediately.
Damaged or entangled cords increase the risk of electric shock.
- e. **When operating a power tool outdoors, use an extension cord suitable for outdoor use.** Use of a cord suitable for outdoor reduces the risk of electric shock.
- f. **If operating a power tool in a damp location is unavoidable, use a residual current device (RCD) protected supply.** Use of an RCD reduces the risk of electric shock.

3. Personal safety

- a. **Stay alert, watch what you are doing and use common sense when operating a power tool. Do not use a power tool while you are tired or under the influence of drugs, alcohol or medication.** A moment of inattention while operating power tools may result in serious personal injury.
- b. **Use personal protective equipment. Always wear eye protection.** Protective equipment such as dust mask, non-skid safety shoes, hard hat, or hearing protection used for appropriate conditions will reduce personal injuries.

General power tool safety warnings

- c. **Prevent unintentional starting. Ensure the switch is in the “off” position before connecting to power source and/or battery pack, picking up or carrying the tool.** Carrying power tools with your finger on the switch or energising power tools that have the switch on invites accidents.
- d. **Remove any adjusting key or wrench before turning the power tool on.** A wrench or key left attached to a rotating part of the power tool may result in personal injury.
- e. **Do not overreach. Keep proper footing and balance at all times.** This enables better control of the power tool in unexpected situations.
- f. **Dress properly. Do not wear loose clothing or jewellery. Keep your hair, clothing and gloves away from moving parts.** Loose clothes, jewellery or long hair can be caught in moving parts.
- g. **If devices are provided for the connection of dust extraction and collection facilities, ensure these are connected and properly used.** Use of dust collection can reduce dust-related hazards.
- h. **Do not let familiarity gained from frequent use of tools allow you to become complacent and ignore tool safety principles.** A careless action can cause severe injury in a fraction of a second.

4. Power tool use and care

- a. **Do not force the power tools. Use the correct power tool for your application.** The correct power tool will do the job better and safer at the rate for which it was designed.
- b. **Do not use the power tool if the switch does not turn it on and off.** Any power tool that cannot be controlled with the switch is dangerous and must be repaired.
- c. **Disconnect the plug from the power source and/or the battery pack, if detachable, from the power tool before making any adjustments, changing accessories, or storing power tools.** Such preventive safety measures reduce the risk of starting the power tool accidentally.

- d. **Store idle power tools out of the reach of children and do not allow persons unfamiliar with the power tool or these instructions to operate the power tool.** Power tools are dangerous in the hands of untrained users.
- e. **Maintain power tools and accessories. Check for misalignment or binding of moving parts, breakage of parts and any other condition that may affect the power tool’s operation. If damaged, have the power tool repaired before use.**

Many accidents are caused by poorly maintained power tools.

- f. **Keep cutting tools sharp and clean.** Properly maintained cutting tools with sharp cutting edges are less likely to bind and are easier to control.
- g. **Use the power tool, accessories and tool bits etc. in accordance with these instructions, taking into account the working conditions and the work to be performed.** Use of the power tool for operations different from those intended could result in a hazardous situation.
- h. **Keep handles and grasping surfaces dry, clean and free from oil and grease.**
Slippery handles and grasping surfaces do not allow for safe handling and control of the tool in unexpected situations.

5. Service

- a. **Have your power tool serviced by a qualified repair person using only identical replacement parts.** This will ensure that the safety of the power tool is maintained.

Specific Safety Instructions for Sanders

- Remove the plug from the socket before carrying out any adjustment, servicing or maintenance.
- Fully unwind cable drum extensions to avoid potential overheating.
- When an extension cable is required, you must ensure it has the right ampere rating for your power tool and is in a safe electrical condition.
- Ensure your mains supply voltage is the same as your tool rating plate voltage.
- Your tool is double insulated for additional protection against a possible electrical insulation failure within the tool.
- Always check walls, floors and ceilings to avoid hidden power cables and pipes.
- After long working periods external metal parts and accessories could be hot.
- Do not force the sander; let the tool do the work at a reasonable speed. Overloading will occur if too much pressure is applied and the motor slows resulting in inefficient sanding and possible damage to the sander motor.
- When sanding wood, always connect the dust extraction filter.
- Take special care to guard against harmful and toxic dusts when sanding lead-based painted surfaces, woods and metals, including the following:
 - All persons entering the work area must wear a mask specially designed for protection against toxic dust and fumes such as those arising from the sanding of lead paint.
 - Children and pregnant women must not enter the work area.
 - Do not eat, drink or smoke in the work area.
- Before using the sander with metal always remove the extraction filter from the outlet as sparks may ignite the dust or the internal bag.
- Do not continue to use worn, torn or heavily clogged sanding sheets.
- Do not touch the moving sanding sheet.
- Ensure that you have removed foreign objects such as nails and screws from the work before commencing sanding.
- Rags, cloths, cord, string and the like should never be left around the work area.

Appliance-specific safety instructions

- Secure the workpiece. A workpiece securely held by a clamping device is much safer than one held in your hand.
- Do not rest your hands next to or in front of the appliance and the area being worked as there is a risk of injury if you slip.
- In case of danger, remove the plug from the socket immediately.
- Always route the power cord towards the rear, away from the appliance.

RISK OF FIRE DUE TO FLYING SPARKS!

If you sand metal, sparks will be produced. Ensure that nobody can be put at risk and that no combustible materials are located in the immediate vicinity of where you are working.

WARNING! TOXIC VAPOURS!

- Working with the tool can produce harmful/ toxic dusts that represent a health hazard for the person operating the appliance and for any other people in the area.

WARNING! DANGER FROM DUST!

When working for extended periods of time on wood and, in particular, materials that produce dust that is hazardous to health, connect the appliance to an appropriate external dust extraction appliance. Wear safety goggles and a protective dust mask!

- Provide sufficient ventilation when working on plastics, paints, lacquers, etc.
- Do not soak the materials or the area to be processed with liquids containing solvents.
- Never work on moistened materials or damp surfaces.
- Avoid sanding lead paint or other harmful materials.
- Materials containing asbestos may NOT be processed. Asbestos is a known carcinogen.
- Avoid contact with the sanding sheet while the appliance is running!
- Do not use the appliance without a sanding sheet fitted.
- Never use the appliance for other purposes and only original parts/ accessories. Using attachments or accessory tools other than those recommended in the operating instructions can lead to a risk of injury.
- Always allow the appliance to come to a complete standstill before putting it down.
- The appliance must always be kept clean, dry and free from oil or grease.

Parts List

1. ON/OFF switch
2. Adaptor fitting port
3. Reducer for external extraction appliance
4. Power cord
5. Lid (dust box)
6. Dust collection box
7. Release button for dust box
8. Clamping lever(s)
9. Rectangle sander plate
10. Clamping rail(s)
11. Triangular sander plate
12. Screws + washers (8x)
(4 already fitted on the sander with the rectangle sander plate, 4 separate for the fitting of the triangular sanding plate)
13. Random orbital sander plate
14. Speed selector
15. Rubber pin (8x) (4 already fitted on the sander with the rectangle sander plate, 4 separate for the fitting of the triangular sanding plate)
16. Assorted sandpaper
17. Carry Case



Assembly

There is no pre-assembly required, other than fitting the base required for first use. The Sander is fitted with the rectangle sander plate (9). For changing the sander plate to the triangular sanding plate (11), or the random orbit sanding plate (13), refer to the following instructions.

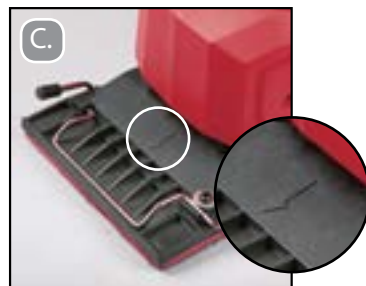
Fitting/changing the sander plates – Triangular Sander Plate

Changing from the fitted rectangle sander plate (9) to the triangular sander plate (11).

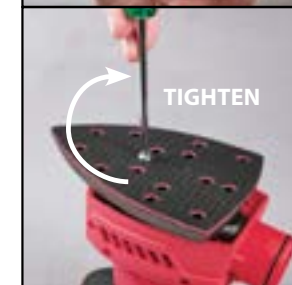
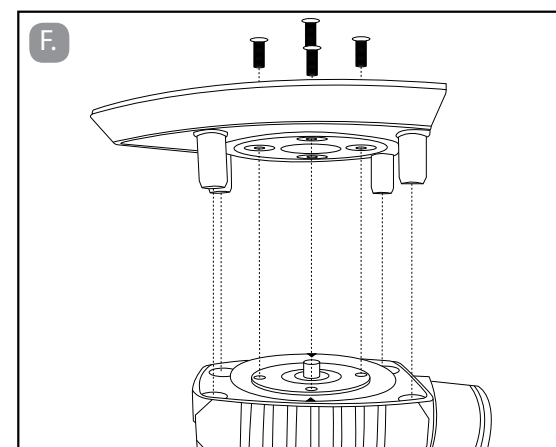
WARNING! Always remove the plug from the mains power socket before carrying out any work on the sander.

1. Always use the appropriate sander plate (9) / (11) / (13) for the correct application required.
2. Using a philips head screwdriver (not supplied), remove the four screws (12) visible on the underside of the rectangle sander plate (9) in an anti-clockwise direction (Fig A).
3. Once the 4 screws are all loose, remove the pre-fitted rectangle sander plate (9) (Fig B).
4. For re-fitting the rectangle sander plate (9), follow the instructions in reverse order.

NOTE: The rectangle sander plate (9) can only be fitted to the sander in one direction. Please pay attention to the arrow marks on the rectangle sander plate (9) when doing this. These must point forwards (Fig C).



5. To fit the triangular sander plate (11), first ensure the tip of the plate points forwards (Fig D).
6. Using the additional supplied 4 x rubber pins (15), prepare the base by inserting the 4 x rubber pins into the 4 x holes on the triangular sander plate (Fig E).
7. Ensure that the sander drive plate on the sander is aligned with the triangular sander plate such that the threaded holes of the sander drive plate are aligned with the mounting holes on the triangular sanding plate (11) (Fig F).
8. Push the triangular sander plate (11) on to the sander drive plate so the rubber pins engage with the holes on the sander housing, and using the 4 x screws + washers supplied in a separate bag, screw them in to secure the triangular sander plate into place onto the sander drive plate (Fig G).
9. Ensure the screws are tightened before use.

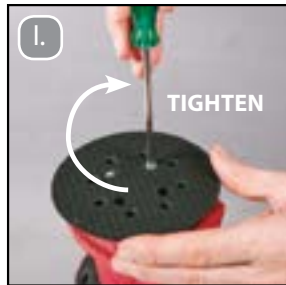
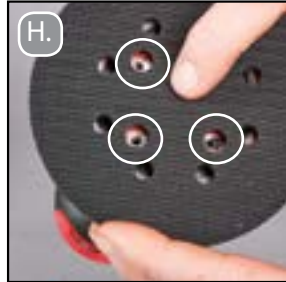


Fitting/changing the sander plates – Random Orbital Sander Plate

⚠ WARNING! Always remove the plug from the mains power socket before carrying out any work on the sander.

Changing from the fitted rectangle sander plate (9) to the Random Orbital Sander plate (13).

- Using a philips head screwdriver (not supplied), remove the four screws (12) visible on the underside of the rectangle sander plate (9) in an anti-clockwise direction (Fig A).
- Once the 4 screws are all loose, remove the pre-fitted rectangle sander plate (9) (Fig B).
- The random orbital sander plate (13) only requires fixing of the 4 x screws, and does not require the rubber pins to be used.
- Align the screw holes on the random orbital sander plate (13) underside (non Velcro side), with the threaded holes on the sander drive plate (Fig H).
- Using 4 x screw + washers from either of the other sander plates (9) / (11), secure the random orbital sander plate (13) onto the sander drive plate by screwing in a clockwise direction (Fig I).



Preparation

Selecting the suitable sanding sheet

The material removal rate and surface quality are determined by the grain strength of the sandpaper. Ensure you use a suitable grit (g) of sandpaper for working on different materials. The 80 grit (g) sandpaper supplied is used for more coarse / rougher sanding / removal. The 240 grit (g) is better suited for detail and fine sanding. This sander includes an 80g and 240g sandpaper sheet for each sander plate base.

It is best to make a trial run on a scrap piece of material to determine the optimum grades of sandpaper for a particular job. If there are still marks on your work after sanding, try either going back to a coarser grade and sanding the marks out before recommencing with the original choice of grit, or try using a new piece of sandpaper to eliminate the unwanted marks before going on to a finer grit and finishing the job.

Fitting / Attaching the sanding sheet

⚠ WARNING! Always remove the plug from the mains power socket before carrying out any work on the sander.

NOTE: Before fitting a new sanding sheet, remove any dust and dirt from the sander plate.

Attaching sanding sheets using Velcro:

NOTE: Make sure the holes on the sandpaper are aligned with the holes on the sander base plate. This ensures maximum dust removal and allows air flow from the motor.

- Attach the sanding sheet to the fitted sander plate by simply applying the underside of the sandpaper onto the velcro base (Fig J). This type of sandpaper is “hook and loop”, and the velcro holds the sanding sheet in place.
- To remove the sanding sheet, simply pull the sanding sheet off the sander plate (Fig K).



Attaching sanding sheets without using Velcro

NOTE: Make sure the holes on the sandpaper are aligned with the holes on the sander base plate. This ensures maximum dust removal and allows air flow from the motor.

1. Open the two clamping levers (8) (Fig L).
2. Push the sanding sheet under the open clamping rail (10) at one end and clamp it firmly in place with the clamping lever (8) (Fig M).
3. Follow the same procedure at the other end of the sander to secure the other end of the sanding sheet.



Dust extraction



WARNING! RISK OF FIRE!

When working with power tools that have a dust collection box or can be connected to a vacuum cleaner via an adaptor, there is a risk of fire! In unfavourable conditions, e.g. when sparks are flying while sanding metal or metal residues in wood, wood dust in the dust bag (or in the bag of the vacuum cleaner) can spontaneously ignite. This is a particular risk if the wood dust is mixed with paint residues or other chemicals and the workpiece has become hot after being worked for a long time. Therefore, do not allow the workpiece to overheat and always empty the dust box or the dust bag of the vacuum cleaner before taking a break from work.

NOTE: Always wear a dust mask.

NOTE: Perforated sanding sheets are required for dust extraction i.e with holes in the sandpaper

Fitting the Dust collection box



WARNING! Always remove the plug from the mains power socket before carrying out any work on the sander.

1. To connect the dust collection box (6) simply push it onto the adaptor fitting port (2) as far as it will go (Fig N). You will hear a click when the release button for dust box (7) engages with the adaptor fitting port (2).
2. To remove the dust collection box (6) press the release button for dust box (7) and pull it off backwards from the adaptor fitting port (2).

NOTE: To achieve optimum dust extraction, clean the dust collection box (6) regularly. Refer to the maintenance section for further detail.

Using the Reducer for external extraction appliances



WARNING! Always remove the plug from the mains power socket before carrying out any work on the sander.

Connecting the Reducer for external extraction appliances

1. Push the reducer for external extraction appliance (3) into the adaptor fitting port (2) until it is secure (Fig O).
2. Push the hose of a suitable workshop vacuum cleaning or dust extraction machine / onto the reducer for external extraction appliance (3) (Fig P).

NOTE: The reducer for external extraction appliance (3) will fit the majority of dust extraction / vacuum appliances.

3. To remove the reducer for external extraction appliance (3), firstly disconnect the hose of the vacuum cleaner / dust extraction appliance from the reducer for external extraction appliance (3).
4. Remove the reducer for external extraction appliance (3) from the adaptor fitting port (2).



Operation

NOTE: It is recommended that the sander always be supplied with a 240V 50Hz supply via a residual current device with a rated residual current of 30mA or less.

CAUTION! Ensure that the appliance is switched off before connecting it to the mains power.

NOTE: For the triangular sander plate (11), and the rectangle sander plate (9), always switch the sander on before making contact with the material to be sanded, then apply it to the workpiece.

For the round random orbital sander plate (13), sit the sanding pad on the workpiece and with you the operator holding the sander firmly, then start the sander.

There is no automatic braking system on this sander and the disc will spin at high speed if the work piece is not in contact with the sander.

WARNING: Do not lift the sander off the workpiece with the round random orbital sander plate (13) in operation. Turn off the sander and then lift the sander off the work piece when the sander comes to a complete stand still. Failure to do the above with the round random orbital sander plate (13) can result in damage to the work piece surface (spinning scratch marks).

Switching on and off

Plug in the socket to the mains power and turn on. To turn the sander on, move / slide the ON/OFF switch (1) towards the front of the sander to the ON position as indicated by an "I" (Fig Q).

To turn the power of the sander off, move / slide the ON/OFF switch (1) towards the back of the sander to the OFF position as indicated by an "O" (Fig R).

Setting the oscillating speed

You can set the desired oscillating speed using the speed selector (14) as required. The required speed depends on the material being processed and



can be determined through practice tests. There are 5 speeds + MAX for the oscillation speed, 1 being the lowest speed, and MAX being the fastest speed. It is recommended to start on the lowest speed and increase the speed as the speed of the sander suits the work piece being worked on (Fig S).

Working procedures / Operating Tips

- Do NOT sand asbestos material in ANY form.
- Always wear a dust mask, hearing protection and safety eye protection during sanding procedures.
- Grip the rear of the handle in one hand and push down on the front of the handle with the other hand. Take care to hold the sanding surface parallel to the work. Do not press down heavily. This will slow down and damage the motor. Apply enough pressure to allow the sander to do the work.
- Switch the appliance on before applying it to the workpiece for the triangular sander plate (11), and the rectangle sander plate (9) bases. For the use of the round random orbital sander plate (13) for random orbiting sanding, starting the sander and stopping the sander should be done whilst holding the sander firmly and starting the sander with the round sanding pad on the work piece.

NOTE: if the sanding pad is not on the workpiece for starting or stopping, the sanding disc can rotate at VERY high speeds and mark the workpiece.
- Apply minimal pressure when working. Work at a constant speed.
- Change the sanding sheets regularly.
- Adjust the speed to suit the sanding application.
- Never sand different materials (such as wood and then metal) using the same sanding sheet. Optimum sanding results can only be achieved by using clean sanding sheets.
- Clean the sanding sheet every once in a while using a vacuum cleaner.
- Sand hard-to-reach places with the front or side edge of the sanding sheet on the sander plate.
- Run the sander in parallel and overlapping sanding motions over the workpiece.
- After completing the task, lift the appliance from the workpiece and then switch it off when using the rectangle sander plate (9) and triangular sander plate (11). For the round random orbital sander plate (13) use, turn off the sander while the sandpaper is still on the workpiece.
- Check and empty the dust collection box (6) at regular intervals.

Maintenance

WARNING! Always remove the plug from the mains power socket before carrying out any work on the sander.

Cleaning the Dust collection box

1. Remove the dust collection box (6) from the sander by pressing the release button for dust box (7) and pulling the dust collection box (6) backwards (Fig T), then by pulling up the tab on the lid (5) on the external corner of the dust collection box (6). Then remove the lid (Fig U).
2. Clean both parts thoroughly by tapping to remove dust particles.
3. After cleaning, re-apply the lid (5) back onto the top of the dust collection box (6).
4. To re-connect the dust collection box (6), simply push it onto the adaptor fitting port (2) as far as it will go (Fig N), and ensure it is secure.



Maintenance and Cleaning

- Always clean the sander immediately after completion of work.
- Use a dry cloth to clean the housing. Remove any adhering swarf with a brush.
- Never use sharp objects, petrol, solvents or cleaning agents that can damage plastic. Do not allow any liquids to get into the interior of the sander.
- Keep the ventilation openings free of obstructions at all times.

Transport & Storage

When transporting or storing the sander, it is recommended to secure the sander and contents within the carry case and ensure the latches on the carry case are securely closed.

Cord Set Replacement

If the cord set is damaged have it replaced by an authorised service centre.

Warranty

Your new WORKZONE® TITANIUM 220W 3 in 1 Multi Purpose Sander will more than satisfy your expectations. It has been manufactured under stringent WORKZONE® TITANIUM Quality Standards to meet superior performance criteria.

You will find your new 220W 3 in 1 Multi Purpose Sander easy and safe to operate, and, with proper care, it will give you many years of dependable service.

CAUTION. Carefully read through this entire instruction manual before using your new WORKZONE® TITANIUM 220W 3 in 1 Multi Purpose Sander.

Take special care to heed the Cautions and Warnings.

Your WORKZONE® TITANIUM 220W 3 in 1 Multi Purpose Sander has many features that will make your job faster and easier. Safety, performance, and dependability have been given top priority in the development of this WORKZONE® TITANIUM 220W 3 in 1 Multi Purpose Sander, making it easy to maintain and operate.

Use only WORKZONE® TITANIUM replacement parts for your product. Non-conforming parts or modifications made to parts will void your warranty.

Environmental protection



Recycle unwanted materials instead of disposing of them as waste.

All tools, hoses and packaging should be sorted, taken to the local recycling centre and disposed of in an environmentally safe way.

What your 3 year warranty means

Great care has gone into the manufacture of this product and it should therefore provide you with years of good service when used properly.

In the event of product failure within its intended use over the course of the first 3 years after the date of purchase, we will remedy the problem as quickly as possible once it has been brought to our attention. In the unlikely event of such an occurrence, or if you require any information about the product please contact us via our after sales support services, details of which can be found in this manual and on the product itself. After Sales Support TEL: 1800 909 909 or email: help@powertoolsupport.com

Accessories and After Sales

Should you find the following accessories are worn or past their user life, replacements can be purchased online via our website <https://help.tools/>



1. Adaptor fitting port
(61865-AFP)



2. Dust collection box
(61865-DCB)



3. Rectangle sander plate
(61865-RSP)



4. 4 x rubber pin kit
(61865-RPK)



5. Triangular sander plate
(61865-TSP)



6. Random orbital sander plate
(61865-ROSP)



7. Various grades of
sanding sheets & sizes

If you have any queries regarding these accessories, please call us on our Customer Support Line: 1800 909 909.

Troubleshooting

Sparking visible through the housing air vents on the sander:

- A small amount of sparking may be visible through the housing vents. This is normal and does not indicate a problem.

Excessive sparking visible through the housing air vents and/or the sander failing to operate:

- Ensure the product is plugged in at mains power, and the on/off switch is turned to the ON position as indicated by an "I".
- May indicate the carbon brushes have worn out and need to be replaced. Carbon brushes should only be replaced by a qualified electrician or service agent.
- Excessive sparking can also occur on a new tool where bedding of the brushes is occurring and will decrease as the brushes wear in.

Sander is performing poorly:

- Ensure the sander is fitted with the most suitable base for your purpose.
- Ensure the sander is fitted with the most suitable sandpaper type and grit for your purpose.
- Excessive downward pressure on the sander will also decrease the sanding performance. Only slight downward pressure is required, thus ensuring maximum movement of the sanding pad.
- Ensure the sandpaper being used has the same hole configuration as the base to allow for efficient dust removal and air flow.
- Remove and clean the dust collection box (refer to maintenance section).

Technical Specifications

Mains Voltage:	230-240V ~ 50Hz
Rated Power:	220W
No Load Variable speed:	7000-12000 min ⁻¹ +/- 5%
Oscillation Speed:	14000-24000 min ⁻¹ +/- 5%
Random Orbit base pad size:	Φ125 mm
Rectangle sander base pad size:	92 x 182 mm
Triangle base pad size:	101x146 mm
Weight (NW):	1.64 kg
Product Dimensions:	290 x 95 x 170 mm

This product complies with the following standards:

Safety:	AS/NZS 62841.1: 2015+A1:2016 AS/NZS 62841.2.4: 2015+A1:2016
EMC:	EN 55014-1:2006/A1:2009/A2:2011 EN 55014-2:2015 EN 61000-3-2:2014 EN 61000-3-3:2013



ALDI guarantees that our exclusive brand products are developed to our stringent quality specifications. If you are not entirely satisfied with this product, please return it to your nearest ALDI store, within 60 days from the date of purchase, for a full refund or replacement, or take advantage of our after sales support by calling the supplier's Customer Service Hotline.



Made in China

WORKZONE® TITANIUM is a registered trademark of ALDI Stores

DISTRIBUTED BY:

ALDI STORES

1 SARGENTS ROAD

MINCHINBURY NSW 2770

www.aldi.com.au

AFTER SALES SUPPORT



1800 909 909 (toll free)

e-mail: help@powertoolsupport.com

MODEL: S1B-DW01-220W • 09/2018 • 61865

3

YEAR WARRANTY