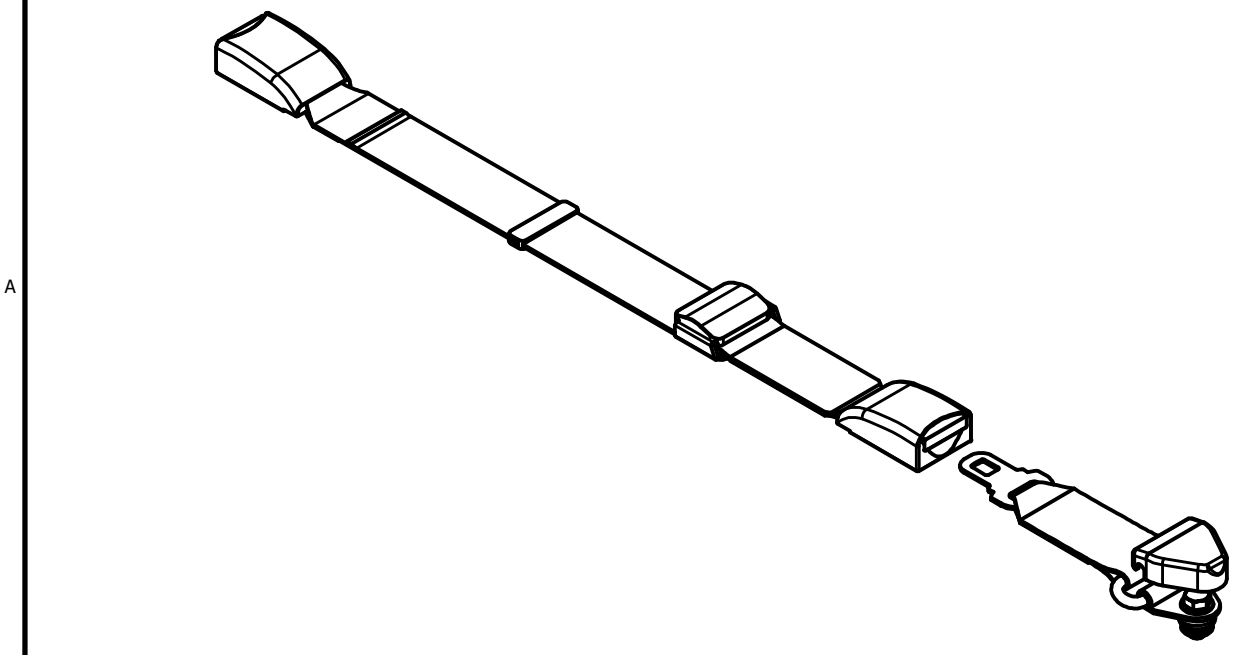
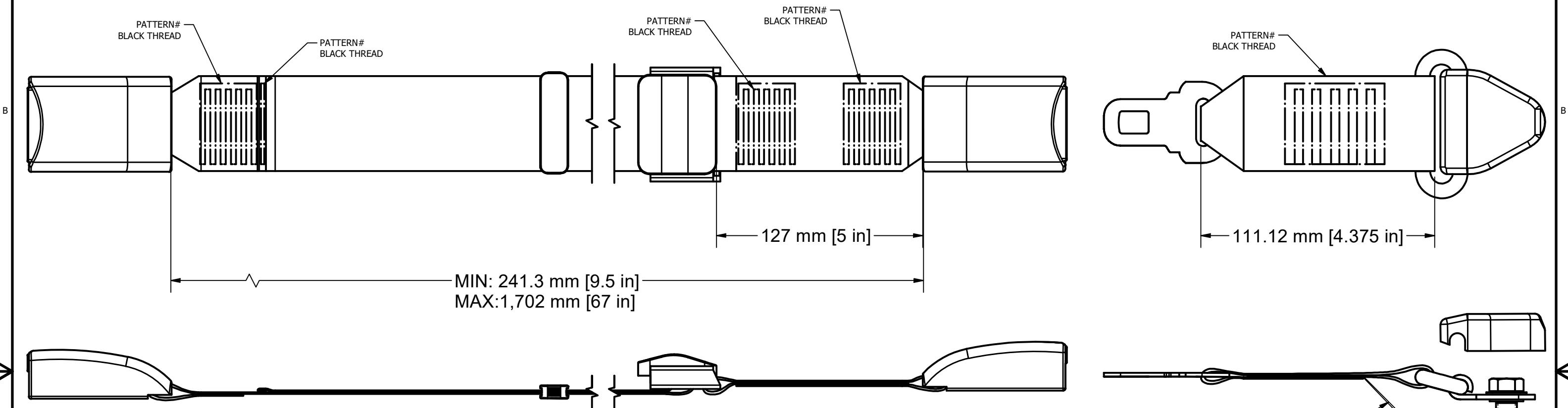
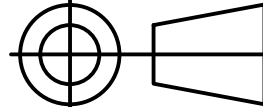



REVISION HISTORY				
REV	ECN	DESCRIPTION	DATE	BY
A			02/25/2023	



THIRD ANGLE PROJECTION  Unless otherwise specified all dimensions are in millimeters and all sheets are the same revision. TOLERANCES: Angular: ± 1/2° Whole Number: ± 2.5 One Decimal: ± 0.25 Two Decimals: ± 0.13 Three Decimals: ± 0.013 PROPRIETARY AND CONFIDENTIAL The information contained in this document is sole property of AMF-BRUNS OF AMERICA. Any reproduction in part or in whole without the written permission of AMF-BRUNS OF AMERICA is prohibited.	DRAWN BY: ROGER D.	DATE: 02/25/2023	 AMF-BRUNS OF AMERICA
	CHECKED BY: JOE E.	DATE: 02/25/2023	
	APPROVED BY:	DATE:	MATERIAL: Gray Webbing
	FINISH: N/A	SHEET SIZE: B	PART NUMBER: H450227
	HEAT TREAT: N/A	SCALE: 1 / 2	WEIGHT: N/A
		PAGE: 1 of 1	REV: A