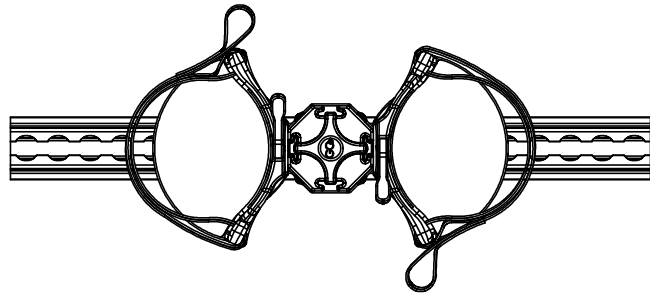


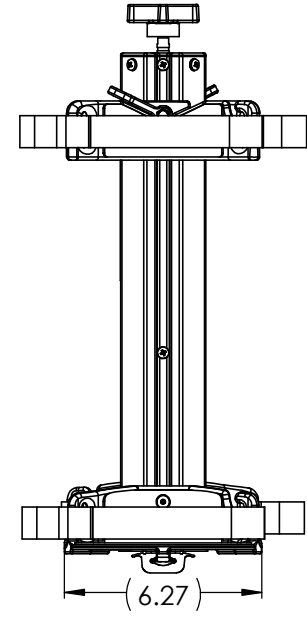
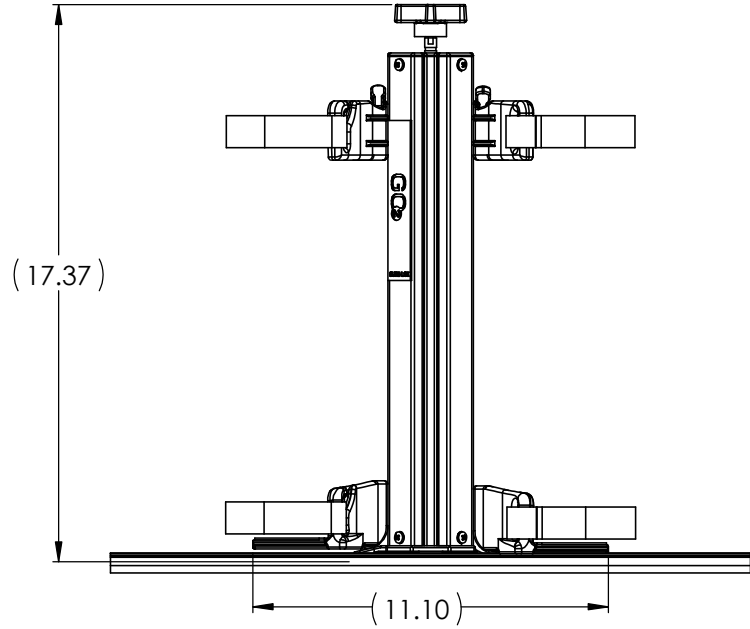
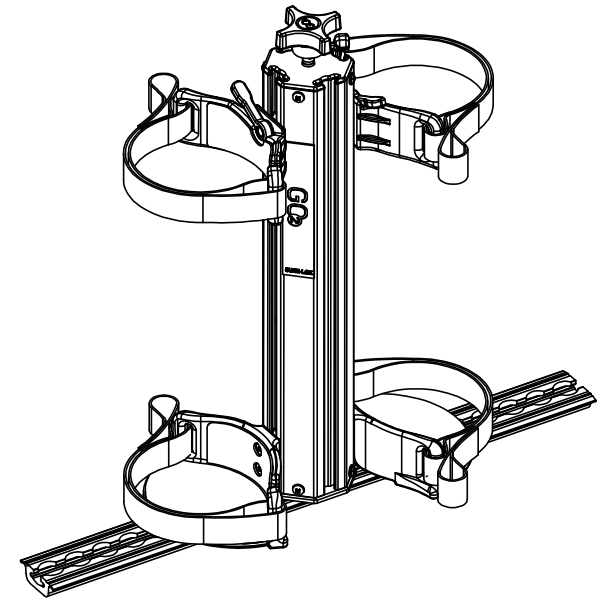
REVISIONS				
REV	DESCRIPTION	DATE	BY	APPR
A	CUSTOMER DRAWING	WS1620	11/14/13	SKY MG



APPROVED
FOR PRODUCTION RELEASE

BY: _____

DATE: _____



DRAWN BY S. YOUNG	DATE 11/14/13
	VERIFIED BY -
APPRVD BY M. GROM	DATE 11/14/13
RELEASE NUMBER WS1620	DATE 11/14/13

SURE-LOK[®]

BETHLEHEM, PA, USA

DESC. GO2-TWIN OXYGEN BOTTLE HOLDER

TYPE
U

MATERIAL:	FINISH:	SIZE A	DWG. NO. FE201122-2	REV A
		SCALE: 1:12	CAD FILE: FE201122-2U.SLDDRW	SHEET 1 OF 1

CRITICAL ALWAYS INSPECT	MAJOR INITIAL LAYOUT AND SAMPLE INSPECTION	MINOR INITIAL LAYOUT INSPECTION, BASIC DIMENSION WHEN USED WITH GEOMETRIC TOLERANCING, OTHERWISE USE PAGE TOLERANCE	(REFERENCE) NO INSPECTION	DIMENSIONING AND TOLERANCING PER ANSI Y14.5-1962. FINISH PER ISO 1302:1992. BREAK ALL CORNERS -0.2(0.1). REMOVE ALL BURRS AND ALL DIAMETERS SHALL BE CONCENTRIC WITHIN 0.25 TIR
-----------------------------------	------------------------------------------------------	-------------------------------------------------------------------------------------------------------------------------------	-------------------------------------	---------------------------------------------------------------------------------------------------------------------------------------------------------------------------------