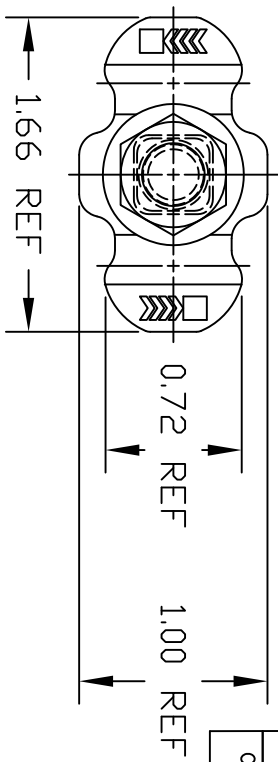


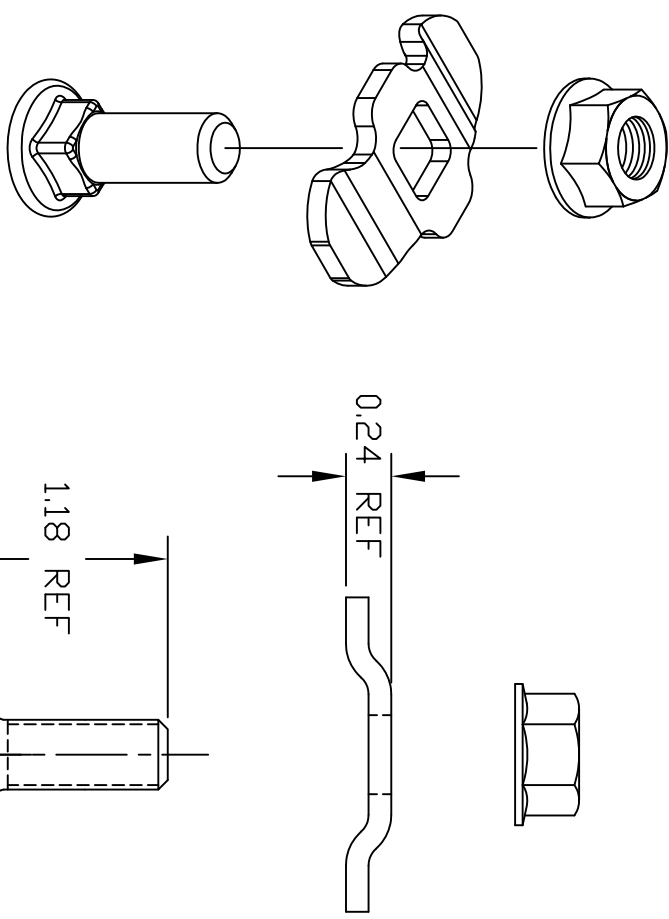
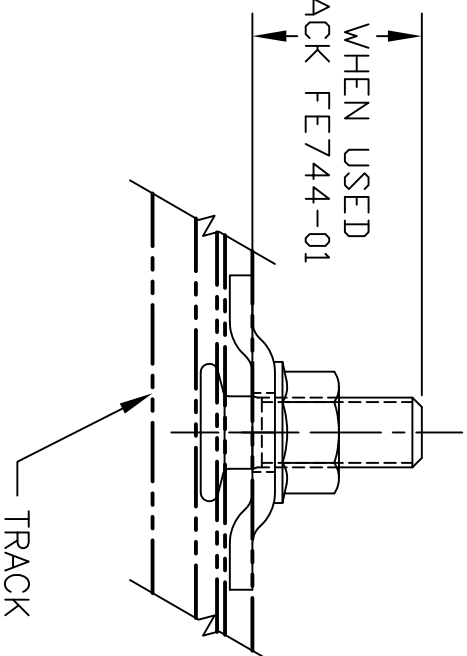
THE INFORMATION DISCLOSED ON THIS DRAWING IS PROPRIETARY AND SHALL NOT BE DISCLOSED, USED OR DUPLICATED FOR PROCUREMENT OR MANUFACTURING PURPOSES WITHOUT THE EXPRESS WRITTEN CONSENT OF SURE-LOK CORPORATION.

REV C FE200744
DRAWING NUMBER

REVISIONS			
SYM	DESCRIPTION	DATE	BY APPR
A	REVISED AND REDRAWN	WS1028 10/18/06	KRJ EC
B	NOTE 2 WAS "MINIMUM ULTIMATE STRENGTH WHEN USED WITH FE744-01 TRACK: 5000 LBS. WS1332	3/22/10	J.B EC
C	UPDATED NOTE 2 WITH BREAKING STRENGTHS. ADDED NOTE 3. WS1387	9/17/10	J.B EC



0.90 REF WHEN USED WITH TRACK FE744-01



- NOTES:
1. SURE-LOK PART NUMBER: FE200744
 2. LOAD CAPACITY WHEN TESTED IN FE750-01 OR FE751-01 TRACK: 5,100 LBS, VERTICAL, 4,000 LBS, HORIZONTAL IN LINE WITH TRACK. LOAD CAPACITY WHEN TESTED IN FE748-01 TRACK: 5,700 LBS, VERTICAL, 4,200 LBS, HORIZONTAL IN LINE WITH TRACK.
 3. STRENGTH RATING: WILL VARY DEPENDING ON DIRECTION OF PULL, TYPE OF TRACK, AND TRACK FASTENERS USED.

LIST OF MATERIAL			
DRAWN BY	DATE	TYPE	SIZE
R.WILLIAMS	5/13/94	U	A
CHECKED BY	DATE		
E.CARDOVA	10/19/06		
APPROVED BY	DATE		
E.CARDOVA	10/19/06		
RELEASE NUMBER	DATE		
CC-5180	11/1/02		
DIMENSIONS	COMPUTER SCALE		
ARE IN INCHES	1/2		
DO NOT SCALE DRAWING			
DIMENSIONING AND TOLERANCING			
PER ANSI Y14.5-1992			

SURE-LOK

BETHLEHEM, PA, USA
"L" SERIES FITTING, SINGLE STUD

DRAWING NUMBER
FE200744