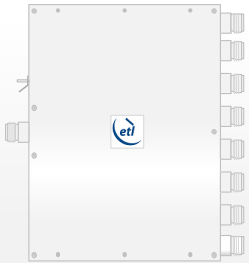


8-way L-band Active Splitter



DIV08L1A-2334 is 8-way active L-band splitter with unity gain. 10MHz/DC pass on port 1 and DC block on all other ports. It requires 8-18V external DC bias.

This component is available with the following RF connector options: 50 Ω SMA (female), N-type (female), BNC (female) and 75 Ω BNC (female) or F-type (female).

Summary table for RF performance over L-band operation, 850 MHz to 2150 MHz

Model Numbers	RF port (female)	Gain (dB)	1dB Flatness (dB)		NF (dB)		Return Loss (dB)		Output Return Loss (dB)		Isolation (dB)	
			Typ	Min	Typ	Max	Typ	Min	Typ	Min	Typ	Min
DIV08L1A-2334-S5S5	50Ω SMA	0±2	0±0.5	0±1.2	5	7	15	8	18	12	25	18
DIV08L1A-2334-N5N5	50Ω N-type	0±2	0±0.5	0±1.2	5	7	15	8	18	12	25	18
DIV08L1A-2334-B5B5	50Ω BNC	0±2	0±0.5	0±1.2	6	8	12	8	16	10	23	17
DIV08L1A-2334-B7B7	75Ω BNC	0±2.2	0±0.7	0±1.2	6	8	10	6	15	8	23	17
DIV08L1A-2334-F7F7	75Ω F-type	0±2.5	0±1.0	0±1.2	6	8	10	6	12	8	20	16

Maximum current consumption is 100mA, typically 80mA.

Isolation: Isolation between any 2 output ports is typically 25dB .

Isolation: Isolation (reverse gain) between the common port and any of the output ports is typically 35dB.

10MHz Insertion loss is typically sub 1dB, max 3dB.

Maximum acceptable operating parameters for reliable and safe operation

Parameter	Value	Comment
Input RF power	16dBm	Max total RF power
DC Voltage	18V	Any RF port
Operating temperature	0 to 50°C	Indoor use only
Storage Temperature	-40°C to +85°C	
Humidity	80%	Non-condensing
Altitude	10,000 feet	Above Mean See level

! Operation beyond these limits may cause instantaneous and permanent damage.



RESILIENCE

RELIABILITY

RF PERFORMANCE

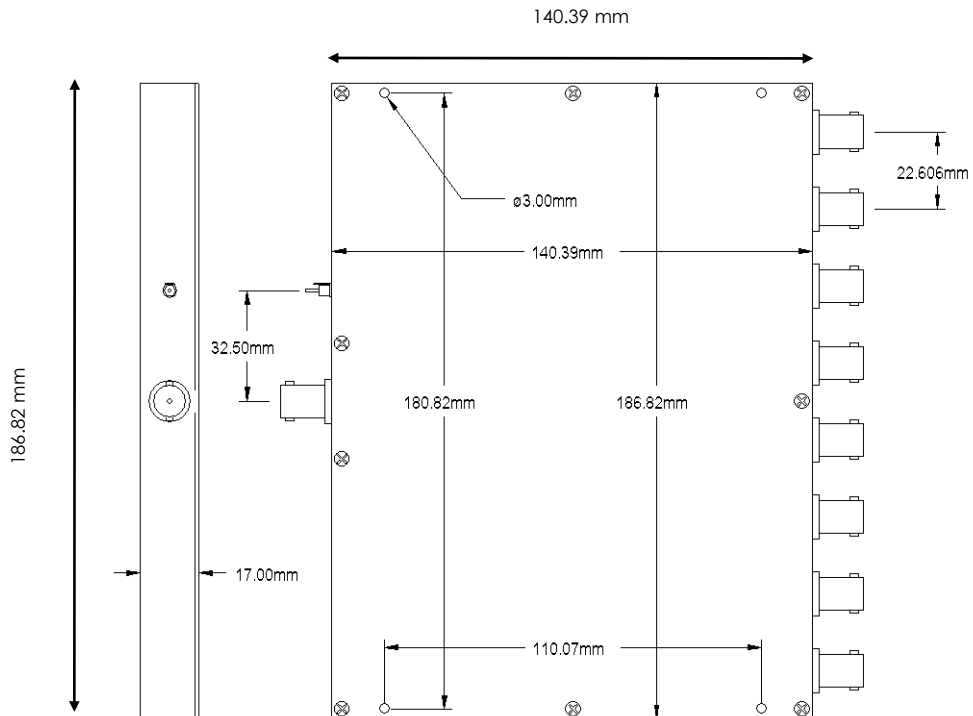
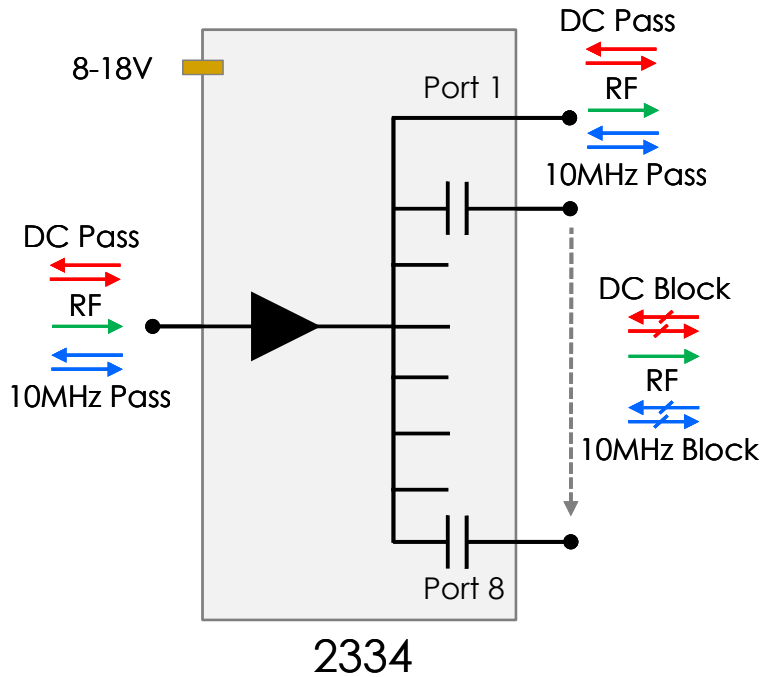
CUSTOM BUILD

DIV08L1A-2334

8-way Active L-band Splitter

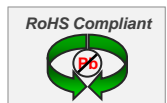


Vector diagram & physical dimensions



ETL Systems Ltd, Coldwell Radio Station, Madley, Hereford, HR2 9NE, England

ETL Systems design, develop and manufacture specialist equipment for satellite ground stations. For a full description of the ETL product range, please see our website at www.etlsystems.com. This product range provides the basis for meeting your specific demands.



Tel +44 (0)1981 259020
 Fax +44 (0)1981 259021
info@etlsystems.com

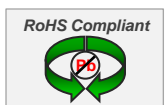
Alternative 8-way Active Splitters

Model Number	Gain / Frequency Response	Other Features
DIV08L1A-2308	Unity gain	DC block on ALL ports
DIV08L1A-2317	Unity gain	50Ω patch link
DIV08L1A-2318		LNB feed
DIV08L1A-2319	Unity gain	-15dB o/p monitor port
DIV08L1A-2320		10MHz/DC pass between common port and port-1 (max 18V 1A DC), 10MHz/DC block on all other ports.
DIV08L1A-2321	Unity gain	2 nd DC port for LNB bias into the common RF port, DC block on all output ports.
DIV08L1A-2330	Unity gain	LNB bias, dual DC input pins (for main/redundant PSUs)
DIV08L1A-2334	Unity gain	10MHz/DC pass on port 1 only
DIV08L1A-2347	Unity gain / flat response	DC pass between common port and output ports, DC block between output ports
DIV08L1A-2350	Unity gain	DC pass between common port and port 1 (max 18V 1A DC), DC block on all other ports
DIV08L1A-2352	Unity gain	10MHz pass on ports 1 and 2 only, DC block on ALL ports
DIV08L1A-2354	Unity gain	10MHz/DC pass on ALL ports, DC block between outputs
DIV08L1A-2356	2dB gain / flat response	Auto-changeover redundant amplifiers
DIV08L1A-2357	Unity gain	10MHz pass and DC block on ALL ports
DIV08L1A-2365	Unity gain	DC block on ALL ports
DIV08L1A-2366	Unity gain	10MHz/DC pass on port 1 only, DC/10MHz block on all other ports. LNB bias to common port through separate pin.
DIV08L1A-2373	Unity gain	DC injection on port-1 or bias pin, all other ports are DC blocked
DIV08L1A-2376	Unity gain	10MHz pass on port 1, DC pass on all ports, DC block between output ports.
DIV08L1A-2395	Unity gain	10MHz and DC pass between common port and port-1, 10MHz and DC block on all other ports. Requires 8-24V DC injection on common port or port-1
DIV08L1A-2397	Unity gain / flat response	DC block on all output ports, requires 12-24V DC which also provides LNB bias onto the common port
DIV08L1A-2398	Unity gain	10MHz/DC pass on port 1 only with external pin for DC inject (LNB powering).
DIV08S2A-2416	Unity gain	S-band frequency: 850 to 2500MHz, DC block on ALL ports,
DIV08F6A-2333	Unity gain	IF frequency (10-1000MHz), 10 MHz pass and DC block on ALL ports
DIV08F3A-2335	Unity gain	IF frequency (20-200MHz), 10 MHz pass and DC block on ALL ports
DIV08F1A-2409	Unity gain / flat response	Extended frequency range: 50 to 2800MHz, 10MHz pass and DC block on ALL ports.
DIV08B2A-2410	Unity gain / flat response	Extended frequency range: 50 to 2150MHz, 10MHz pass and DC block on ALL ports.



ETL Systems Ltd, Coldwell Radio Station, Madley, Hereford, HR2 9NE, England

ETL Systems design, develop and manufacture specialist equipment for satellite ground stations. For a full description of the ETL product range, please see our website at www.etlsystems.com. This product range provides the basis for meeting your specific demands.



Tel +44 (0)1981 259020
 Fax +44 (0)1981 259021
info@etlsystems.com