



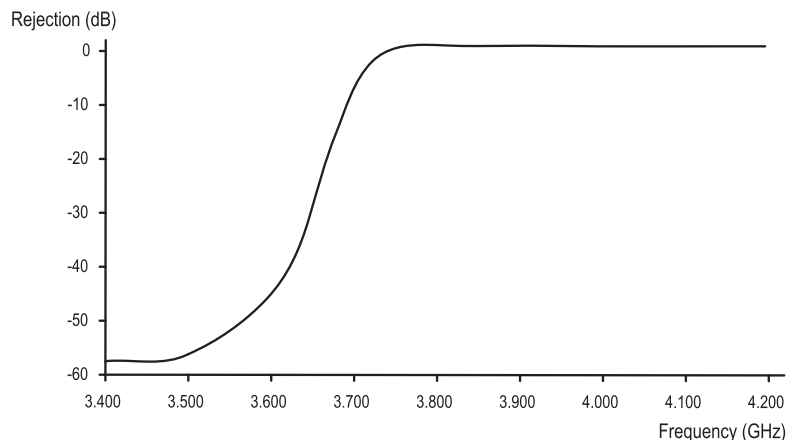
LNB C-BAND DRO 8000R



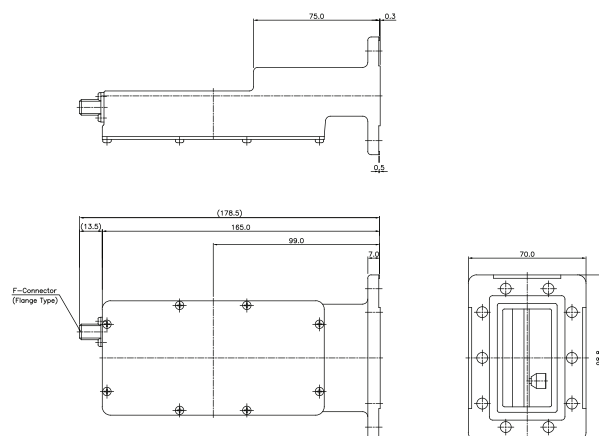
TYPICAL SPECIFICATIONS

Input frequency	3.70 to 4.20 GHz
Output frequency	950 to 1450 MHz
L.O. frequency	5.15 GHz
Noise temperature	25K
L.O. stability (over temperature excl offset)	±500 kHz
Phase noise (SSB)	-70 dBc/Hz at 1kHz -90 dBc/Hz at 10kHz -100 dBc/Hz at 100kHz
Input VSWR	2.0 : 1
Output VSWR	2.2 : 1
Conversion gain	62 dB
Output P1dB	8 dBm
Power requirements	+15 to +24 V supplied through center conductor of IF cable
Current drain	130 mA
Input Waveguide	CPR229G
Dimensions	180 (L) x 100 (W) x 70 (H) mm (7.1 x 4.0 x 2.8 in)
Weight	425 g / 12.5 oz
Temperature Range	-40°C to +60°C

TERRESTRIAL INTERFERENCE REJECTION



MECHANICAL DIAGRAM



HOW TO ORDER

8525RF

CONNECTOR	F - 75 Ohm N - 50 Ohm
FREQUENCY	3.7 - 4.2 GHz
L.O. STABILITY	5 - ±500 kHz
LNB SERIES #	

