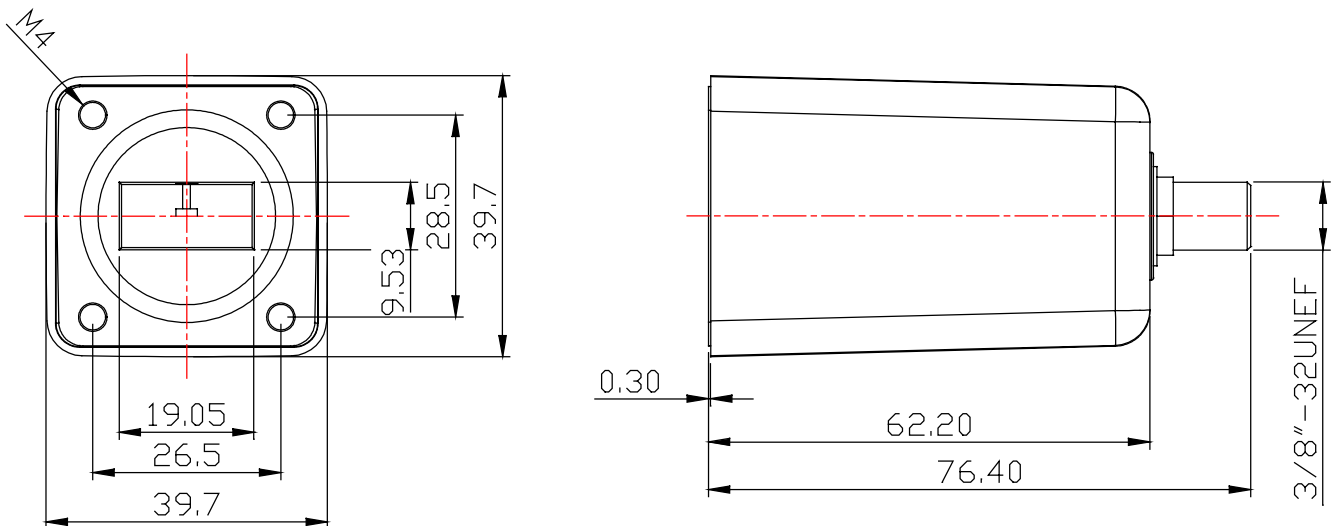


Specifications

10.95 ~ 11.70 GHz Ku Band DRO LNB: ZK - VE1

1. Input Frequency Range	10.95 ~ 11.70 GHz
2. Output Frequency Range	950 ~ 1700 MHz
3. Local Oscillator Frequency	10 GHz
4. Input Waveguide Flange	WR-75
5. Conversion Gain	50 ~ 60 dB
6. Gain Variation	±3 dB (any 30deg C)
7. Gain Flatness	±1 dB p-p@54MHz 4 dB p-p@750MHz
8. Noise Figure	1.0 dB (Typ.)
9. Output Power (at 1dB Gain Compression Point)	0 dBm (Min.)
10. L.O. Frequency Stability (-40°C ~ 60 °C)	±1 MHz
11. L.O. Phase Noise (1 KHz Offset) (10 KHz Offset) (100 KHz Offset)	- 65 dBc/Hz - 75 dBc/Hz - 90 dBc/Hz
12. Output Return Loss	7.5 dB (Min.)
13. Output Connector	F-Typ, Female
14. D.C Supply Voltage	11.5 ~ 24 V
15. D.C Current Consumption	150mA (Max.)
16. Operating Temperature	-40°C ~ 60°C

Mechanical Drawing



Unit: mm