

**SATCOM RECEIVER**

# LNB

## C-band PLL LNB for 5G R3000I-5G



### TYPICAL SPECIFICATIONS

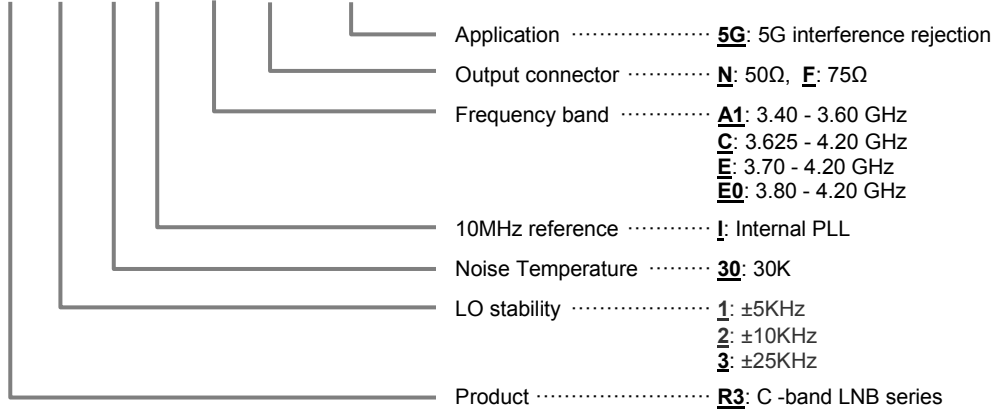
<b>Noise temperature</b>	30K typ @+23°C	<b>Spurious</b>	
<b>LO stability</b>	±5 to ±25 KHz	<b>Signal related</b>	-60dBc max @-10dBm
<b>Phase noise</b>	-78dBc/Hz @1KHz -88dBc/Hz @10KHz -100dBc/Hz @100KHz	<b>Power supply related</b>	-50dBc max @-10dBm
<b>Input VSWR</b>	2.2 : 1	<b>Band rejection</b>	R3000IA1-5G: 30dB @3.7GHz R3000IC-5G: 30dB @3.525GHz R3000IE-5G: 30dB @3.6GHz R3000IE0-5G: 30dB @3.7GHz
<b>Output VSWR</b>	2.2 : 1	<b>DC voltage / current</b>	+12 to +24 V / 250mA
<b>Gain</b>	62dB typ	<b>Input waveguide</b>	CPR-229G
<b>Output P1dB</b>	+5dBm min	<b>Output connector</b>	N-female, F-female
<b>RF input level</b>	-30dBm max	<b>Dimension</b>	148(L) x 99(W) x 70(H) mm
<b>Image Rejection</b>	40dBc min	<b>Weight</b>	680g
		<b>Operating temperature</b>	-40 to 60°C

### FREQUENCY BANDS AVAILABLE

	A1-band	C-band	E-band	E0-band
RF freq. (GHz)	3.40 - 3.60	3.625 - 4.20	3.70 - 4.20	3.80 - 4.20
LO freq. (GHz)	5.15	5.15	5.15	5.15
IF freq. (MHz)	1550 - 1750	950 - 1525	950 - 1450	950 - 1350

### HOW TO ORDER C-BAND PLL LNB for 5G

## R3130IA1F-5G



## SATCOM RECEIVER

### OUTLINE DRAWING

