



Ku-Band High Stability DRO LNB

NEXDRO-Ku 5000 Series



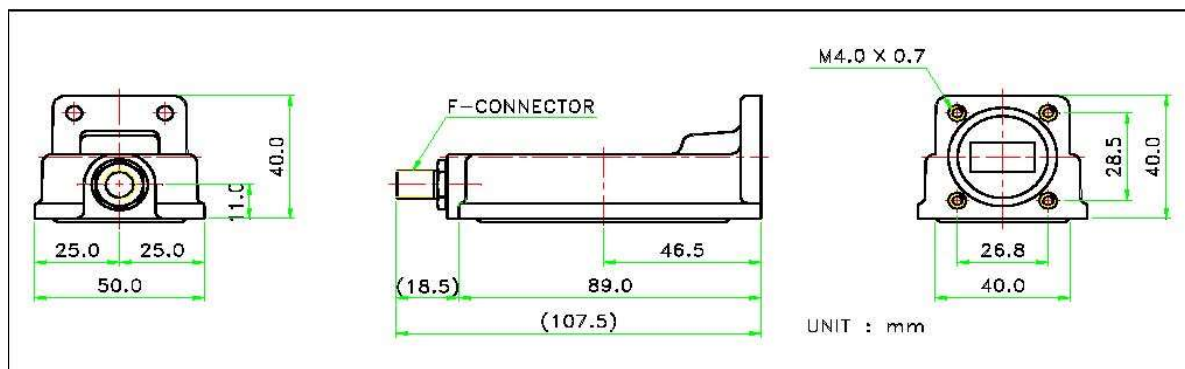
Model No & Frequency, Stability

Model No	Input Freq. (GHz)	Output Freq.(MHz)	L.O & Stability (Over Temp.)
5150	10.7 - 11.8	950 – 2050	9.75GHz +/-500 KHz
5250	10.95 - 11.7	950 – 1700	10.0 GHz +/-500 KHz
5350	11.71 - 12.01	1032 – 1332	10.678GHz +/- 500 KHz
5450	11.7- 12.2	950 – 1450	10.75GHz +/- 500 KHz
5550	12.25 - 12.75	1050 – 1550	11.2 GHz +/-500 KHz
5650	12.2 - 12.7	950 – 1450	11.25GHz +/- 500 KHz
5750	12.25 - 12.75	950 – 1450	11.3GHz +/-500 KHz
5850	12.5 - 12.75	1025 – 1275	11.475GHz +/- 500 KHz

Specifications

Noise figure (@ +25 °C)	0.6 to 0.9dB max.
Input VSWR	2.5 : 1 typ.
Image rejection	40 dB min.
Conversion gain	55 dB typ.
Output VSWR	2 : 1 typ.
Gain flatness	6 dBp-p max.
Gain ripple (@per channel)	+/- 0.75 dB max.
1dB gain compression point	0 dBm min.
Output impedance	75 ohms
Leakage (@ input port)	-60 dBm max.
Phase noise	-80 dBc/Hz (@10KHz) -95 dBc/Hz (@100KHz) -110 dBc/Hz (@1MHz)
Power supply	+12 to +24V DC
Required current	150 mA max.
Operating temperature	-30 °C to +60 °C
Storage temperature Relative	-40 °C to +80 °C
Humidity	0% to 95% RH
Input waveguide flange	WR- 75
IF output connector	F-Type female
Weight	190 g

Drawing



Quality Assurance

NexGenWave products are manufactured under ISO9001: 2000 quality certified facility



Nexgenwave, INC
Technopark D-206 Sunnam Kyonggi 463760 Korea
Tel: +82-31-607-1270 Fax: +82-31-607-1273

www.nexgenwave.com