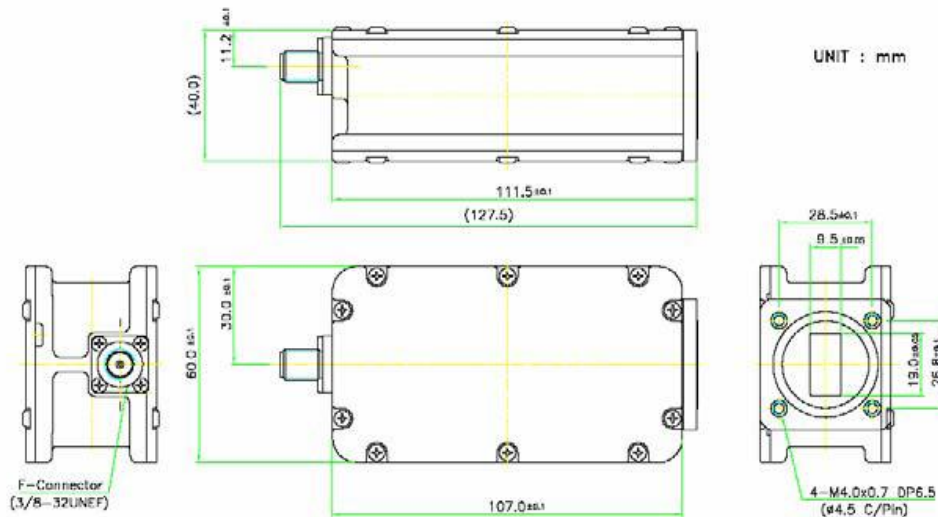


Ku- Band Internal Ref. PLL LNB

NEX- 500 Series

Outline Drawing



Model No & Frequency

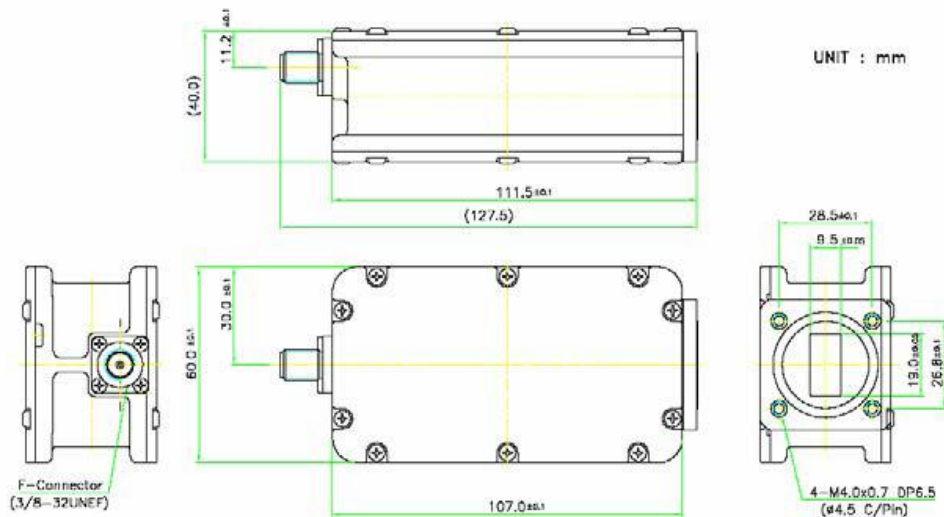
Model No	Input Freq. (GHz)	Output Freq. (MHz)	L.O Freq. (GHz)
NEX- 520	10.95 - 11.7	950 - 1700	10.0(+/- 25KHz)
NEX- 540	11.7 - 12.2	950 - 1450	10.75(+/- 25KHz)
NEX- 560	12.2 - 12.7	950 - 1450	11.25(+/- 25KHz)
NEX- 570	12.25 - 12.75	950 - 1450	11.3(+/- 25KHz)

Specifications

Parameter	Specification
Noise figure (@ +25 °C)	1.0 dB max.
Input VSWR	2.5 : 1 max.
Image rejection	45 dBc min.
Conversion gain	60 dB typ.
Output VSWR	2.5 : 1 max.
Gain flatness	4 dBp- p max.
Gain ripple (@ per channel)	+/- 0.75dB max.
1dB gain compression point	+3 dBm min.
Output impedance	75 ohms
Leakage (@input port)	- 45 dBm max.
L.O stability (over temp.)	+/- 25KHz max.
Phase noise	- 65 dBc/Hz (@1KHz) - 80 dBc/Hz (@10KHz) - 95 dBc/Hz (@100KHz)
Power supply	+12 to +24V DC
Required current	300 mA max.
Operating temperature	- 40 °C to +60 °C
Storage temperature	- 40 °C to +80 °C
Relative humidity	0% to 95% RH
Input waveguide flange	WR- 75
IF output connector	F- Type female
Weight	350 g

Ku- Band Internal Ref. PLL LNB

Outline Drawing



Model No & Frequency

Model No	Input Freq.(GHz)	Output Freq.(MHz)	L.O Freq.(GHz)
NEX- 521	10.95 - 11.7	950 - 1700	10.0(+/- 10KHz)
NEX- 541	11.7 - 12.2	950 - 1450	10.75(+/- 10KHz)
NEX- 561	12.2 - 12.7	950 - 1450	11.25(+/- 10KHz)
NEX- 571	12.25 - 12.75	950 - 1450	11.3(+/- 10KHz)

Specifications

Parameter	Specification
Noise figure (@ +25°C)	1.0 dB max.
Input VSWR	2.5 : 1 max.
Image rejection	45 dBc min.
Conversion gain	60 dB typ.
Output VSWR	2.5 : 1 max.
Gain flatness	4 dBp- p max.
Gain ripple (@ per channel)	+/- 0.75dB max.
1dB gain compression point	+3 dBm min.
Output impedance	75 ohms
Leakage (@input port)	- 45 dBm max.
L.O stability (over temp.)	+/- 10KHz max.
Phase noise	- 65 dBc/Hz (@1KHz) - 80 dBc/Hz (@10KHz) - 95 dBc/Hz (@100KHz)
Power supply	+12 to +24V DC
Required current	300 mA max.
Operating temperature	- 40°C to +60°C
Storage temperature	- 40°C to +80°C
Relative humidity	0% to 95% RH
Input waveguide flange	WR- 75
IF output connector	F- Type female
Weight	350 g