

MODEL No. **NJT8371** series

< **Features** >

- * **GaN** Technology Amplifier Inside
- * **RF Frequency Line-up**
 - Universal Ku-band: 13.75 to 14.5 GHz
 - Standard Ku-band: 14.0 to 14.5 GHz
- * **High Efficiency Output Power**
 - Saturation Output Power: +46.0 dBm
 - ACPR: -30 dBc @ Pout = +44.0 dBm
 - Power Consumption: 260 W
- * **AC Power Operation Option**
- * **Monitor & Control Option**
 - FSK Communications M&C
 - RS-232C Interface Serial M&C
- * **Compact Size & Light Weight**
 - Dimension: 230 (L) x 150 (W) x 100 (H) mm
 - Weight: 4.4 kg



< **Line-Up** >

Model No.	RF Frequency	Local Frequency	IF Frequency	Output Power	IF Connector	Power Supply	Port for Power Input	M&C Option		
NJT8371NMK	14.0 to 14.5 GHz (Standard Ku-band)	13.05 GHz	950 to 1,450 MHz	40W Saturation (+46 dBm)	N-type	+36 to +60 V DC Power	MS Connector	FSK M&C		
NJT8371FMK					F-type			RS-232C M&C		
NJT8371NMR					N-type			RS-232C M&C		
NJT8371FMR					F-type					
NJT8371UNMK	13.75 to 14.5 GHz (Universal Ku-band)	12.80 GHz	950 to 1,700 MHz		N-type			+36 to +60 V DC Power	MS Connector	FSK M&C
NJT8371UFMK					F-type					RS-232C M&C
NJT8371UNMR					N-type					RS-232C M&C
NJT8371UFMR					F-type					

< **Specifications** >

Item	Specifications
Saturation Output Power	+46 dBm min. @ +25 °C / +45 dBm min. over temperature
Linear Gain	72 dB nom., 66 dB min.
Gain Variation over frequency	Standard Ku-band: 5 dBp-p max. over 500 MHz / 2 dBp-p max. over 54 MHz Universal Ku-band: 5 dBp-p max. over 750 MHz / 2 dBp-p max. over 54 MHz
Gain Stability over temperature	2 dBp-p typ., 4 dBp-p max.
ACPR	-30 dBc typ., -26 dBc min. @ Pout = +44 dBm
L.O. Phase Noise	-60 dBc/Hz max. @ 100 Hz -70 dBc/Hz max. @ 1 kHz -80 dBc/Hz max. @ 10 kHz -90 dBc/Hz max. @ 100 kHz -100 dBc/Hz max. @ 1 MHz
Input V.S.W.R. / Output V.S.W.R.	2 : 1 max. / 1.5 : 1 max.
DC Power Requirement	
(1) Voltage Range	+36 to +60 VDC
(2) Power Consumption	@No IF Signal: 120 W typ. @ Pout=+44dBm: 220 W typ. @ Psat: 260 W typ., 290 W max.
Mute	Shut off the HPA in case of L.O. unlocked or no 10 MHz reference signal
M&C	Interface: FSK Communications Signal / RS-232C Function: Power Monitor / TX On/Off Control / Alarm / Digital Step Attenuator ... etc
Temperature Range (ambient)	Operating: -40 to +60 °C Storage: -40 to +75 °C
Dimension & Housing	230 (L) x 150 (W) x 100 (H) mm without interface connectors and screws
Weight	4.4 kg [9.1 lbs]

(1/2)

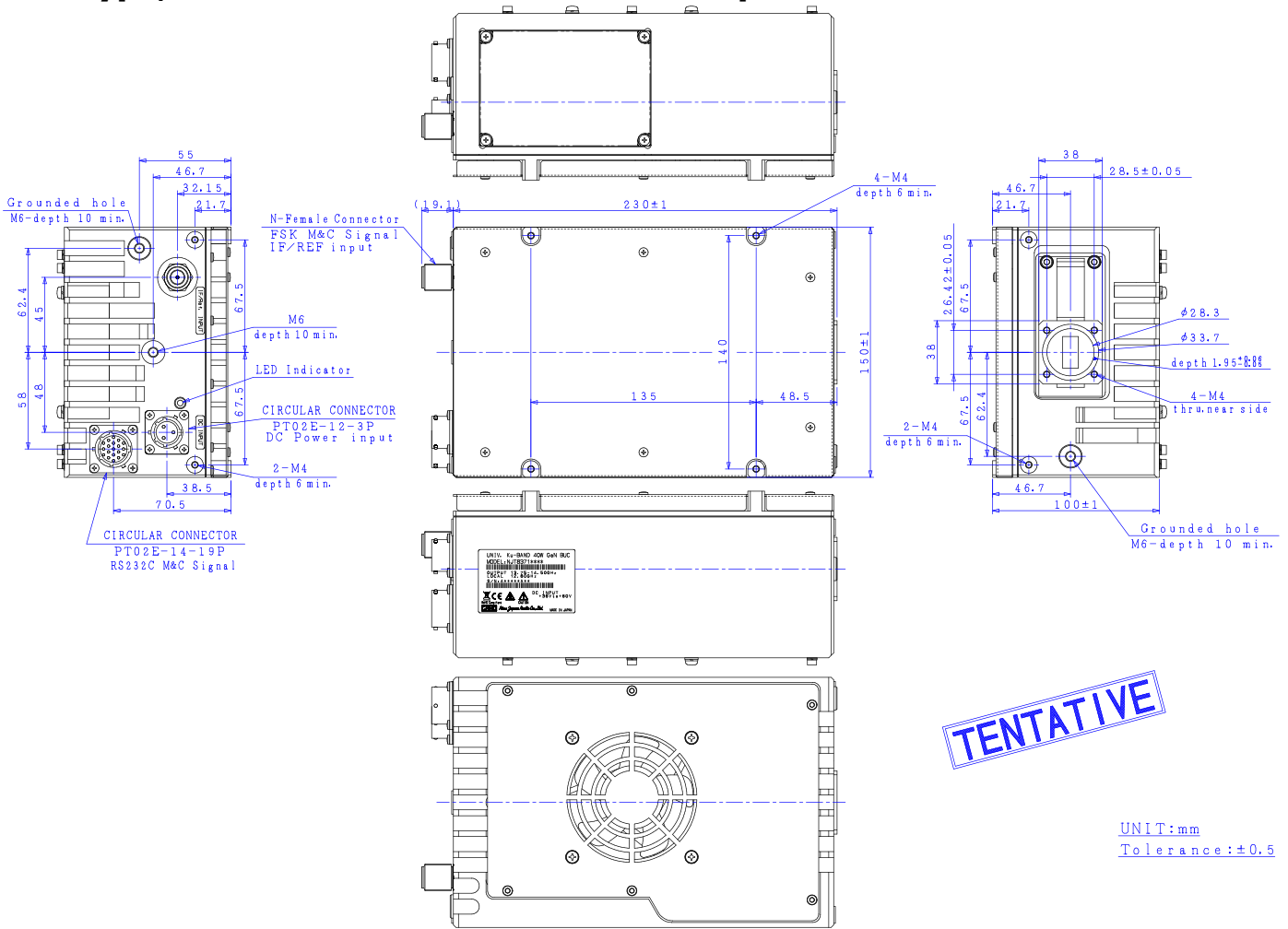
*Note: The contents of this sheet are subject to change without notice.

Rev.03 Ku GaN 40W BUC_NJT8371

MODEL No. **NJT8371** series

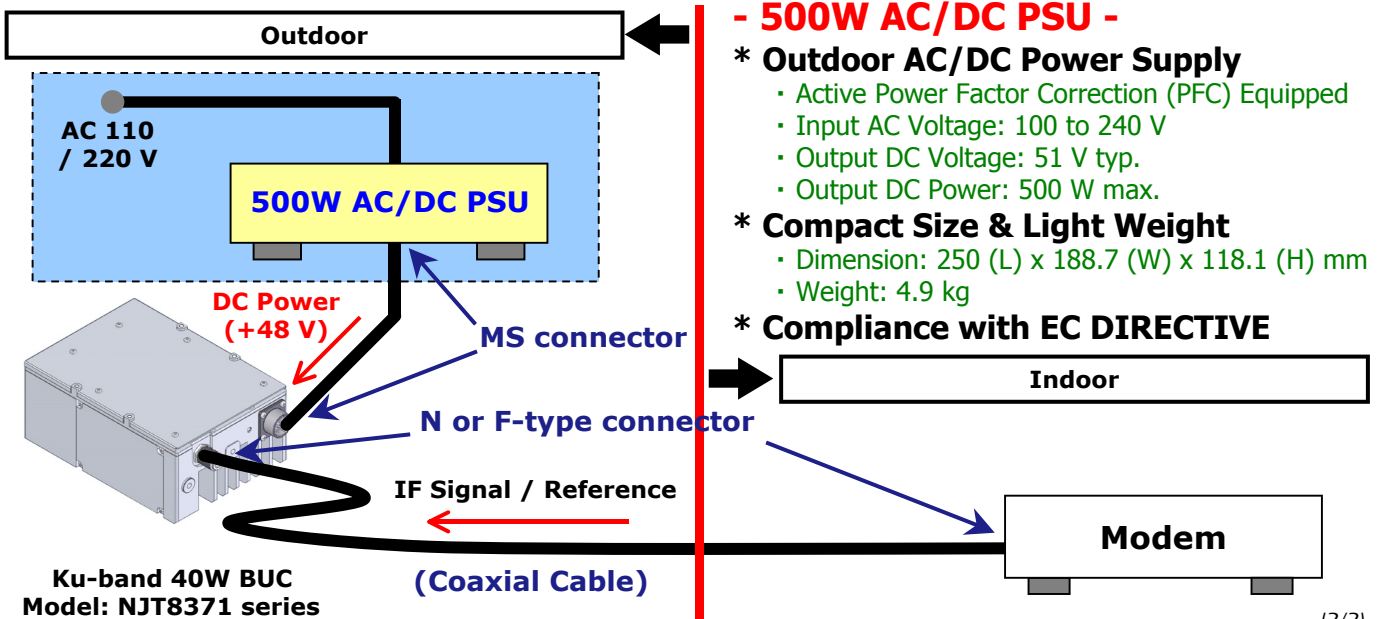
< Drawing >

N-type, female Connector Model / DC Input: MS Connector



TENTATIVE

< AC Power Operation Option >



- 500W AC/DC PSU -

- * **Outdoor AC/DC Power Supply**
 - Active Power Factor Correction (PFC) Equipped
 - Input AC Voltage: 100 to 240 V
 - Output DC Voltage: 51 V typ.
 - Output DC Power: 500 W max.
- * **Compact Size & Light Weight**
 - Dimension: 250 (L) x 188.7 (W) x 118.1 (H) mm
 - Weight: 4.9 kg
- * **Compliance with EC DIRECTIVE**

*Note: The contents of this sheet are subject to change without notice.