

Universal/Standard Ku-band 4W BUC

MODEL No. NJT8304 series

< Features >

* RF Frequency Line-up

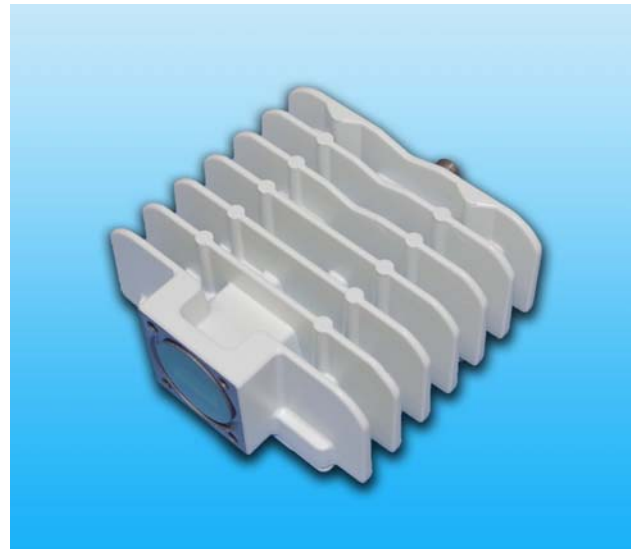
- Universal Ku-band: 13.75 to 14.5 GHz
- Standard Ku-band: 14.0 to 14.5 GHz

* High Efficiency Output Power

- P1dB: +36.0 dBm min. over temperature
- ACPR: -26 dBc @ Pout = +35.5 dBm
- Power Consumption: 28 W

* Smaller Size & Lighter Weight

- Dimension: 98 (L) × 98 (W) × 42.5 (H) mm
- Weight: 500 g



< Line-Up >

Model No.	RF Frequency	Local Frequency	IF Frequency	Output Power @ P1dB	IF Connector	Power Supply
NJT8304N	14.0 to 14.5GHz (Standard Ku-band)	13.05 GHz	950 to 1,450 MHz	4W Linear (+36.0dBm min.)	N-type	+12 to +30 V DC Power
NJT8304F					F-type	
NJT8304UN	13.75 to 14.5GHz (Universal Ku-band)	12.80 GHz	950 to 1,700 MHz		N-type	
NJT8304UF					F-type	

< Specifications >

Item	Specifications	
Output Interface	Waveguide, WR75 (with Groove)	
Input Interface	N-type, female (50 ohm)	[Model No.: NJT8304N/UN]
	F-type, female (75 ohm)	[Model No.: NJT8304F/UF]
Output Power @ 1 dB G.C.P.	+36 dBm min. over temperature	
ACPR	-26 dBc min. @ Pout = +35.5 dBm	
Linear Gain	62 dB nom., 56 dB min.	
Requirement for External Reference	[Frequency]	10 MHz (sine-wave)
	[Input Power]	-5 to +5 dBm @ Input port
	[Phase Noise]	-125 dBc/Hz max. @ 100 Hz
		-135 dBc/Hz max. @ 1 kHz
L.O. Phase Noise	-140 dBc/Hz max. @ 10 kHz	
	-60 dBc/Hz max. @ 100 Hz	
	-70 dBc/Hz max. @ 1 kHz	
	-80 dBc/Hz max. @ 10 kHz	
	-90 dBc/Hz max. @ 100 kHz	
Receive Band Noise Density @ Pout ≤ +36 dBm	[Tx: 13.75 to 14 GHz]	-156 dBm/Hz max. @10.95 to 12.25 GHz
		-152 dBm/Hz max. @12.25 to 12.75 GHz
	[Tx: 14 to 14.5 GHz]	-156 dBm/Hz max. @10.95 to 12.75 GHz
Input V.S.W.R.	2.0 : 1 max.	
Output V.S.W.R.	2.0 : 1 max.	
Power Requirement	+12 to +30 V DC Power	
Power Consumption	28 W typ., 32 W max.	
Mute	Shut off the HPA in case of L.O. unlocked or no 10 MHz reference signal	
LED Indicator	GREEN: L.O. locked / RED: L.O. unlocked or no 10 MHz reference signal	
Temperature Range (ambient)	-40 to +60 °C (operating), -40 to +75 °C (storage)	
Waterproof/Dustproof (IP Code)	IP 67	
Dimension & Housing (without Interface Connectors)	98 mm (L) x 98 mm (W) x 42.5 mm (H)	
	[3.86" (L) x 3.86" (W) x 1.65" (H)]	
Weight	500g [1.1 lbs]	

*Note: The contents of this sheet are subject to change without notice.

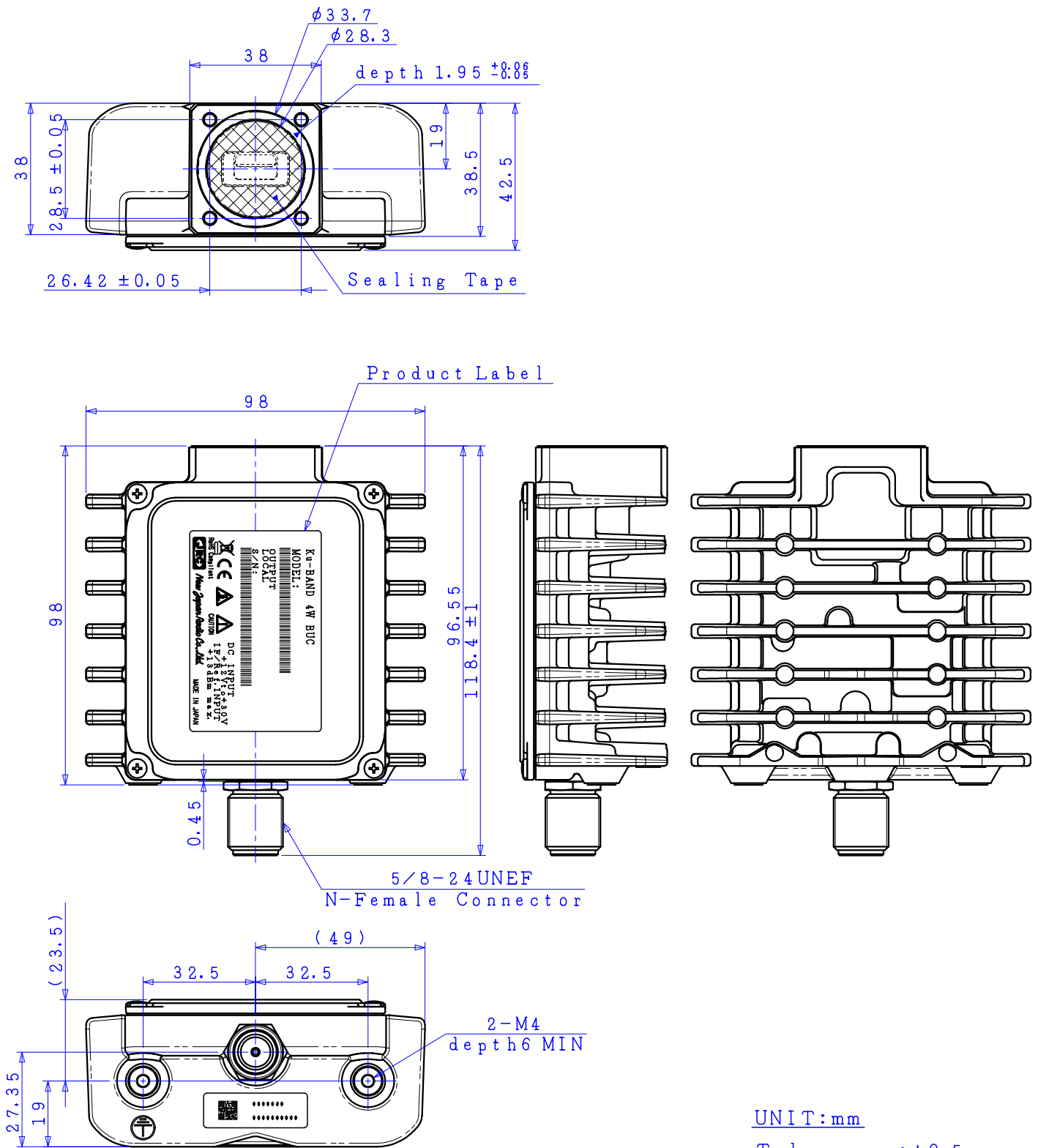
(1/3)
Rev.02(May 2017) Ku 4W BUC_NJT8304

Universal/Standard Ku-band 4W BUC

MODEL No. NJT8304 series

< Outline Drawing >

N-type, female Connector Model / DC Input: IF Connector



UNIT: mm

Tolerance: ± 0.5

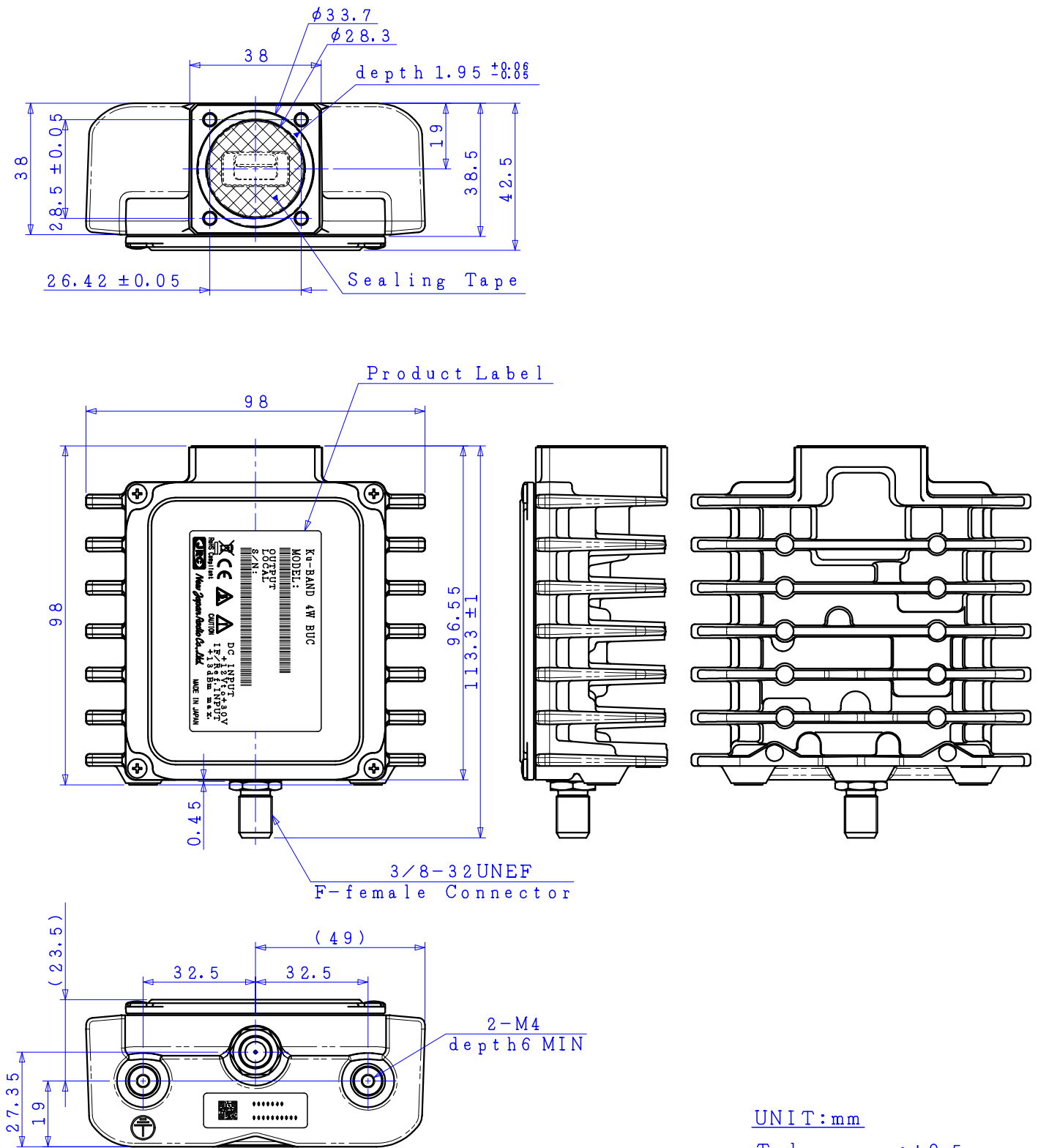
*Note: The contents of this sheet are subject to change without notice.

Universal/Standard Ku-band 4W BUC

MODEL No. NJT8304 series

< Outline Drawing >

F-type, female Connector Model / DC Input: IF Connector



UNIT: mm

Tolerance: ± 0.5

*Note: The contents of this sheet are subject to change without notice.