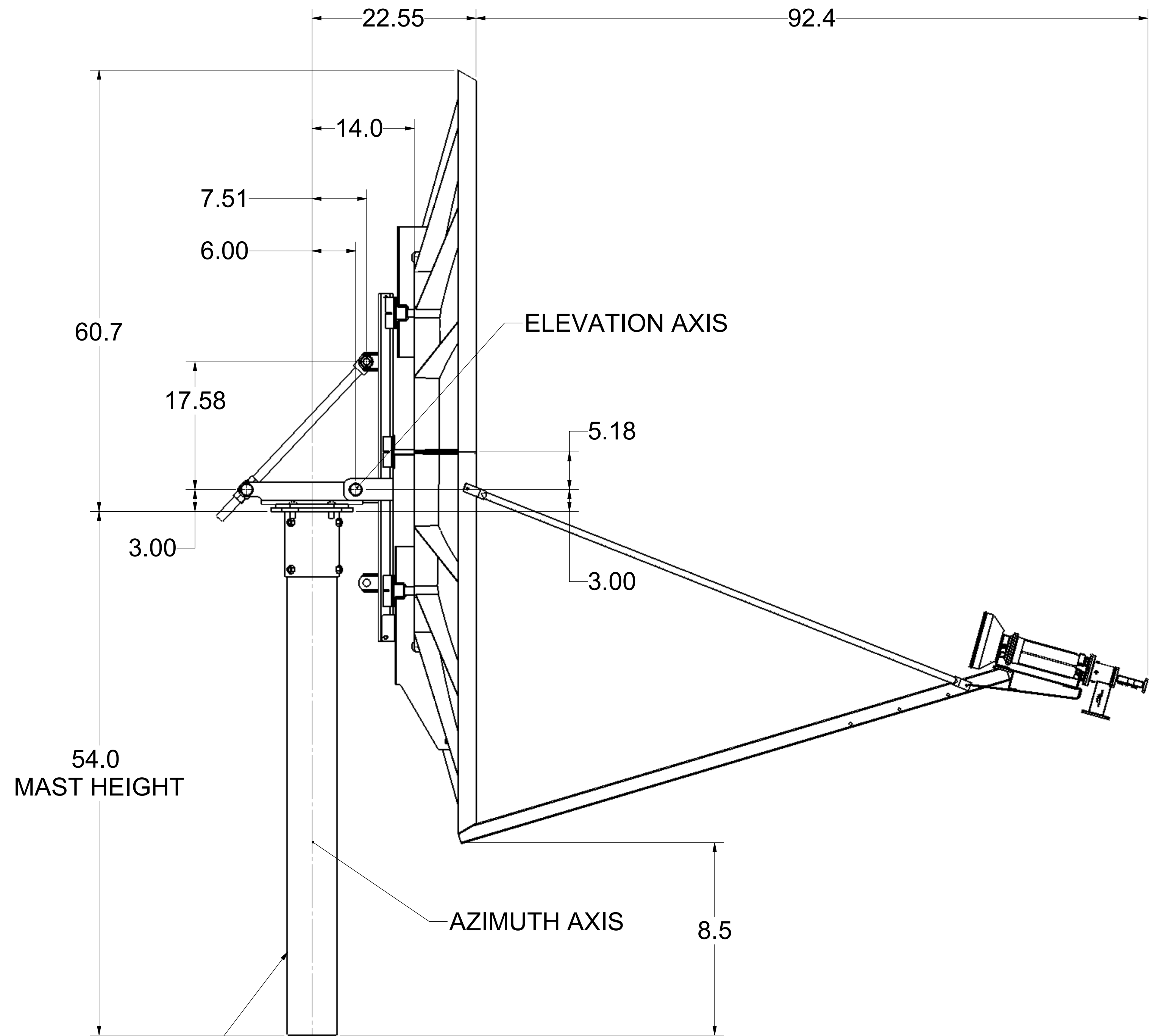
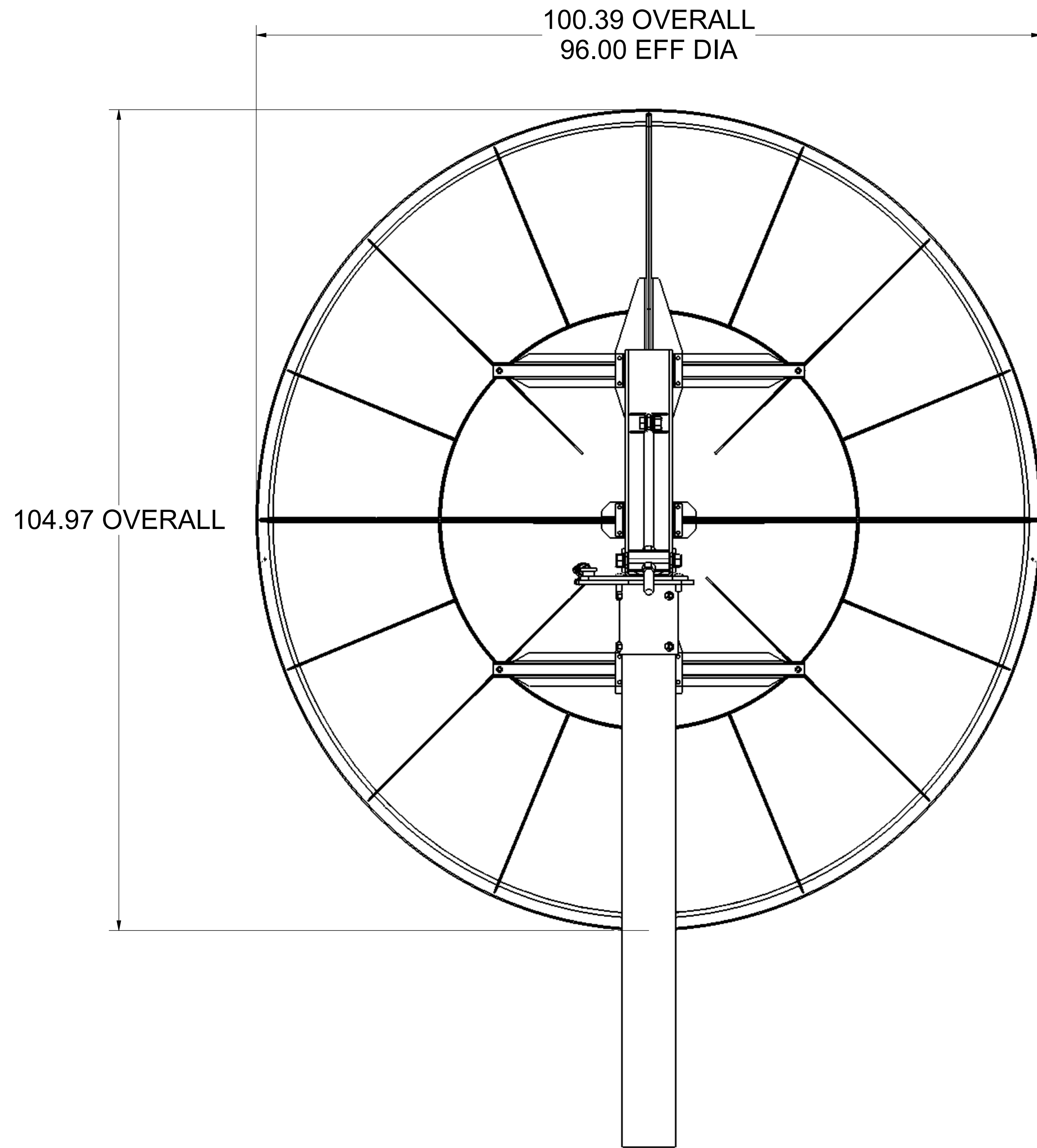


REVISIONS			
REV.	DESCRIPTION	DATE	APPROVED
A	UPDATED AND RELEASED.	7/26/2012	R.F.



6" SCH 40 PIPE (6.62" O.D.)

NOTES:

1. C-BAND CIRCULAR POLARIZED FEED SHOWN. C-BAND LINEAR AND KU-BAND ALSO AVAILABLE.

DIMENSIONS ARE IN DECIMAL INCHES, UNLESS OTHERWISE NOTED.
TOLERANCES ON FINISHED DIMENSIONS ARE AS FOLLOWS:
X.X = 0.1 X.XXX = 0.010
X.XX = 0.05 ANGULAR = 1°

Prodelin's drawings, sketches, computer programs, plans, specifications, technical data, prototype products, blueprints, photographs, instructions, diagrams, models, formulae, tables, engineering designs, diskettes, tapes, software, other electronic media (defined to include, but not be limited to, the system functional design, logic flow, algorithms, application programs, operating systems, software design implementation, tests, test results, operation, diagnosis, repair, ...) and/or documents (collectively "Proprietary Materials") are confidential and proprietary in nature and are considered by it to constitute "trade secrets" as defined by N.C. Gen. Stat. 66-152 (3)(a) and (b) of the North Carolina Uniform Trade Secrets Act, by the Uniform Trade Secrets Act and by any other states/countries' Trade Secrets Acts regardless if some of the information or documents that were incorporated into such drawings, sketches, computer programs, plans, specifications, technical data, prototype products, blueprints, photographs, instructions, diagrams, models, formulae, tables, engineering designs, diskettes, tapes, software, other electronic media (defined to include, but not be limited to, the system functional design, logic flow, algorithms, application programs, operating systems, software design, implementation, tests, test results, operation, diagnosis, repair, ...) and/or documents or the information that was incorporated onto the Proprietary Materials came from a customer or third party and whether such Proprietary Materials do or do not constitute intellectual property, patent, trademark or copyright rights or material. THESE "PROPRIETARY MATERIALS" MAY NOT BE COPIED, REPRODUCED, DISCLOSED OR DISTRIBUTED IN WHOLE OR IN PART TO OTHER PARTIES EITHER VERBALLY OR IN WRITING WITHOUT PRIOR WRITTEN APPROVAL BEING OBTAINED FROM THE PRODELIN DOCUMENTATION SUPERVISOR OR A DULY AUTHORIZED REPRESENTATIVE.

GENERAL DYNAMICS
SATCOM Technologies

TITLE
**2.4M Rx/Tx ANTENNA
GEOMETRY SERIES 1241**

MATERIAL	FINISH
NEXT ASS'Y	CODE IDENT. NO. 94661
DRAWN BY	TD0666
CHECKED BY	REV. A
ENGR. BY	
MFG APVD BY	SCALE 1:10 SH. 1 OF 1

3D STORED AT: H:\SldPrj\Reference Models\VSAT Antenna Systems\series_1241rev