

■ C-band 2W BUC

MODEL No. NJT5667, NJT5668, & NJT5674 series

< Features >

- * **High Efficiency Output Power**
 - (NJT5667) P1dB: +34.5 dBm typ. over temperature
 - (NJT5668 & NJT5674) P1dB: +33 dBm min. over temperature
- * **Low Power Consumption**
 - (NJT5667) Power Consumption: 19 W typ.
 - (NJT5668 & NJT5674) Power Consumption: 33 W
- * **Small Size & Light Weight**
 - Weight: 1.9 kg
- * **LED Indicator**
- * **RoHS Compliance**



< Line-up >

Model No.	RF Frequency	Local Frequency	IF Frequency	Output Power @ P1dB	IF Connector	Power Supply	LED Indicator
NJT5667	5.85 to 6.425 GHz (Standard C-band)	4.90 GHz	950 to 1,525 MHz	2W Linear (+34.5 dBm typ.)	N-type	+24 VDC (+15 to +30 VDC)	Equipped
NJT5667F					F-type		
NJT5674N	6.365 to 6.725 GHz (Palapa C-band)	5.30 GHz	1,065 to 1,425 GHz	2W Linear (+33 dBm min.)	N-type		
NJT5674F					F-type		
NJT5668	6.725 to 7.025 GHz (Insat C-band)	5.76 GHz	965 to 1,265 GHz		N-type		
NJT5668F					F-type		

< Specifications >

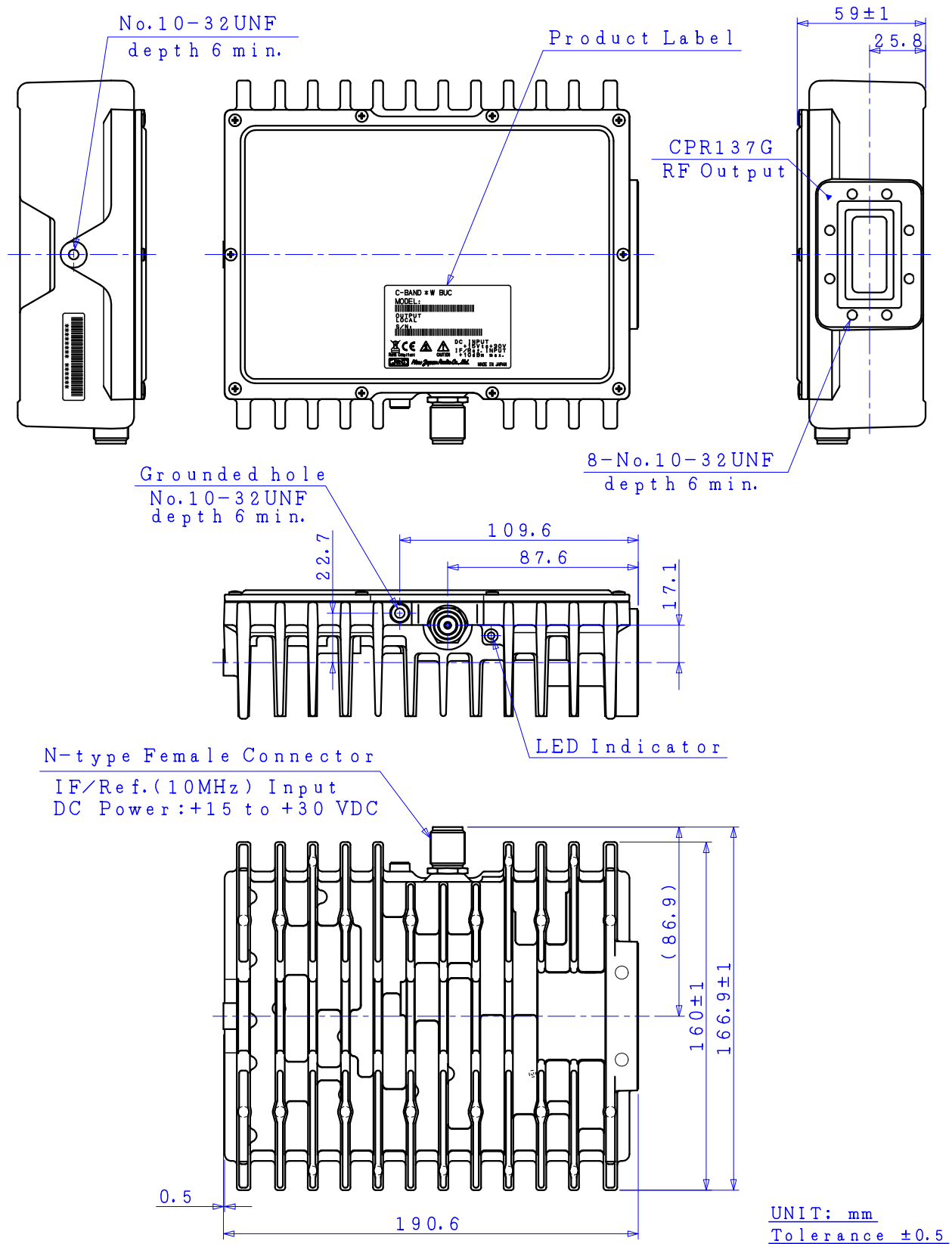
Item	Specifications
Output Interface	Waveguide, CPR137 (with Groove)
Input Interface	N-type, female (50 ohm) [Model No.: NJT5667, NJT5668, & NJT5674N] F-type, female (75 ohm) [Model No.: NJT5667F, NJT5668F, & NJT5674F]
Output Power @ 1 dB G.C.P.	+34.5 dBm typ., +33 dBm min. over temperature [Model No.: NJT5667 & NJT5667F] +33 dBm min. over temperature [Model No.: NJT5668, NJT5668F, NJT5674N, & NJT5674F]
Linear Gain	58 dB nom.
Requirement for External Reference	[Frequency] 10 MHz (sine-wave) [Input Power] -5 to +5 dBm @ Input port [Phase Noise] -120 dBc/Hz max. @ 100 Hz -130 dBc/Hz max. @ 1 kHz -140 dBc/Hz max. @ 10 kHz -150 dBc/Hz max. @ 100 kHz
L.O. Phase Noise	-60 dBc/Hz max. @ 100 Hz -70 dBc/Hz max. @ 1 kHz -80 dBc/Hz max. @ 10 kHz -90 dBc/Hz max. @ 100 kHz
Receive Band Noise Density	-87 dBm/4kHz max.
Input V.S.W.R.	2.0 : 1 max.
Output V.S.W.R.	2.0 : 1 max.
Power Requirement	+24 VDC (+15 to +30 VDC)
Power Consumption	19 W typ., 22W max. [Model No.: NJT5667 & NJT5667F] 33 W max. [Model No.: NJT5668, NJT5668F, NJT5674N, & NJT5674F]
Mute	Shut off the HPA in case of L.O. unlocked or no 10 MHz reference signal
LED Indicator	GREEN: L.O. locked / RED: L.O. unlocked or no 10 MHz reference signal
Temperature Range (ambient)	-40 to +55 °C (operating), -40 to +75 °C (storage)
Waterproof/Dustproof (IP Code)	IP 67
Dimension & Housing (without Interface Connectors)	190.6 mm (L) x 160 mm (W) x 59 mm (H) [7.50" (L) x 6.30" (W) x 2.32" (H)]
Weight	1.9 kg [4.2 lbs]

*Note: The contents of this sheet are subject to change without notice.

(1/3)
Rev.06(May 2017) C 2W BUC_NJT5667/68/74

< Outline Drawing >

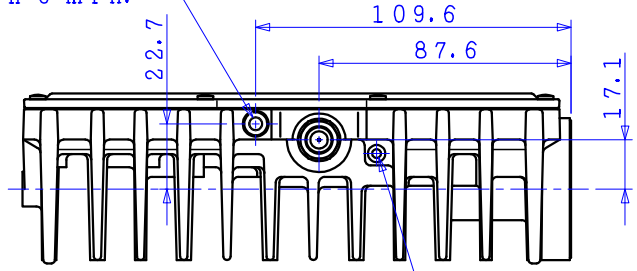
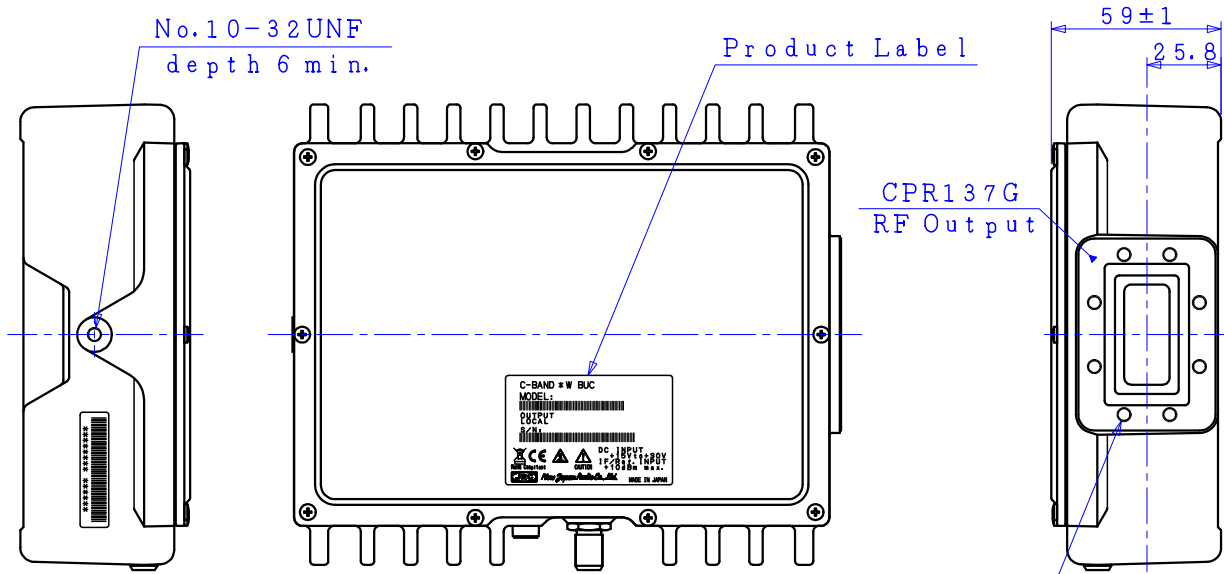
N-type, female Connector Models



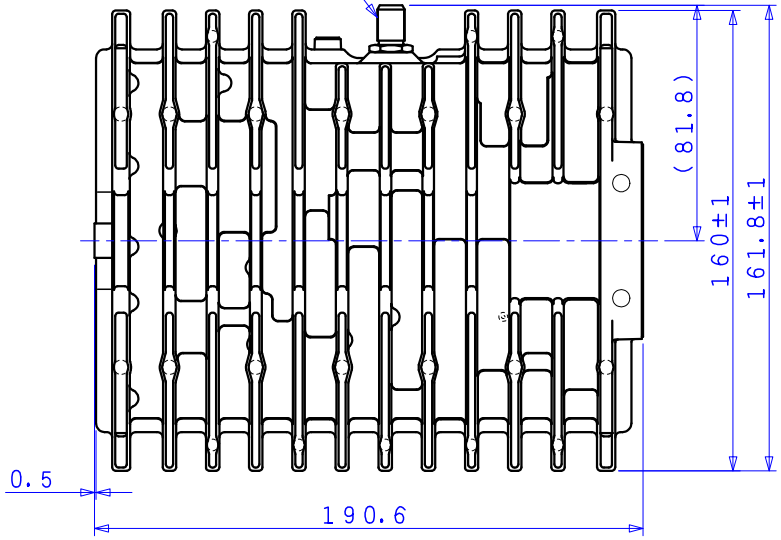
*Note: The contents of this sheet are subject to change without notice.

< Outline Drawing >

F-type, female Connector Models



F-type Female Connector
 IF/Ref.(10MHz) Input
 DC Power: +15 to +30 VDC



UNIT: mm
 Tolerance ±0.5

*Note: The contents of this sheet are subject to change without notice.

Rev.06(May 2017) C 2W BUC_NJT5667/68/74 (3/3)