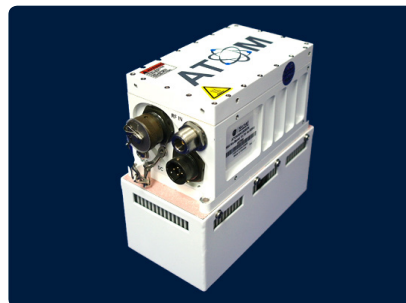




## BUC KU-BAND 25W ATOMBKU025



### NORSAT ATOM SERIES BUCS

Compared to equivalent products, ATOM series BUCs are:

- Up to 68% smaller and lighter
- Up to 60% more power efficient
- More flexible with RF and configuration options

The Norsat ATOM series of block upconverters (BUC) are among the smallest, lightest, and most energy efficient transmitters available. The high efficiency of ATOM reduces power consumption significantly, delivering considerable operational cost savings over the lifetime of the device.

### RF CONFIGURATIONS

#### Transmit Frequency

Standard band	14.0 to 14.5 GHz
LO Frequency	13.05 GHz
Extended band	13.75 to 14.5 GHz
LO Frequency	12.8 GHz
Selectable band *Custom within range	12.25 to 18.0 GHz

#### Input Frequency

Standard band	950 to 1450 MHz
Extended band	950 to 1700 MHz

### OPTIONS

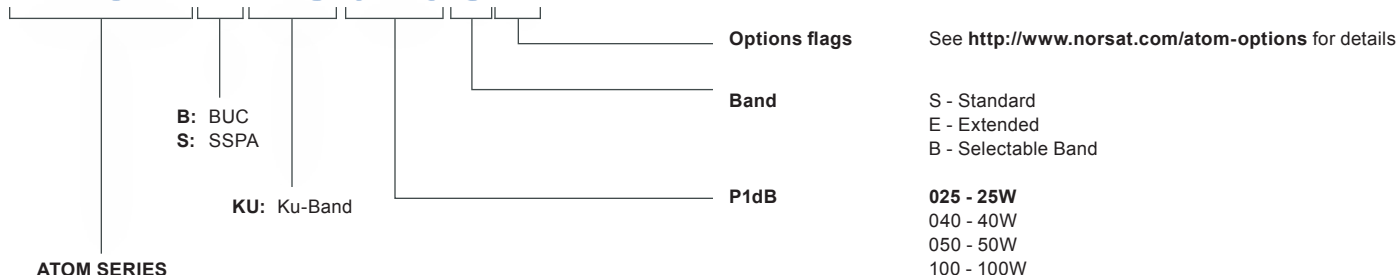
**The following items are standard:** White paint, N-Type input connector, WR-75 waveguide output, Fan cooling, DC Power.

**Available options include:** Baseplate Cooling, Surge + Protect Filter, SMA Input Connector, WR-62 Waveguide Output.

**Accessories:** Power supply, Bracket, Waveguides, Cables, Adaptors

### HOW TO ORDER

## ATOMBKU025SX



# KU-BAND 25W BUC-ATOMBKU025

## RF SPECIFICATIONS

<b>Power Output (P1dB)</b>	25W
<b>Noise Figure</b>	15 dB
<b>Phase Noise</b>	-72 dBc/Hz at 1 KHz -82 dBc/Hz at 10 KHz -92 dBc/Hz at 100 kHz -102 dBc/Hz at 1 MHz
<b>Fwd Monitor (15 dB Range) @ CF</b>	±1.0 dB
<b>Conversion Gain</b>	60 dB min
<b>Gain Variation over operating band</b>	6 dB max p-p
<b>Gain Variation over any 40 MHz</b>	2 dB max p-p
<b>Gain Variation over temperature</b>	3 dB max p-p
<b>Input VSWR</b>	2.0:1
<b>Output VSWR</b>	2.0:1
<b>Spurious @ rated power</b>	-55 dBc
<b>AM/PM Conversion @2dB below power</b>	2.5°/dB rated
<b>2nd Harmonic @ 3dB below rated power</b>	-45 dBc

## ENVIRONMENTAL & PHYSICAL

<b>Operating Temperature with fans</b>	-40 to +60°C (-40° to +140°F)
<b>Storage Temperature</b>	-54 to +80°C (-65° to + 176°F)
<b>Outline Dimensions</b>	170 x 86 x 157 mm (6.5 x 3.2 x 6.1")
<b>Weight</b>	2.3 kg (5.0 lbs)
<b>Enclosed Accessories</b>	Screws, gasket, M&C mating connector, power mating connector

## INTERFACES

<b>RF Input Connector</b>	N-Type
<b>RF Output Connector</b>	WR-75 (WR-62 above 15 GHz)

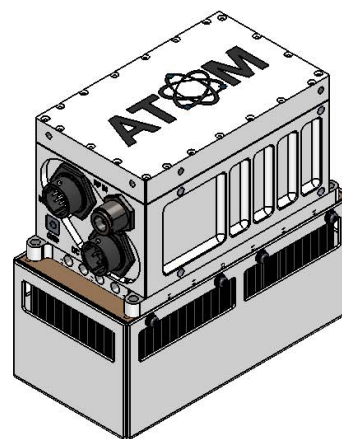
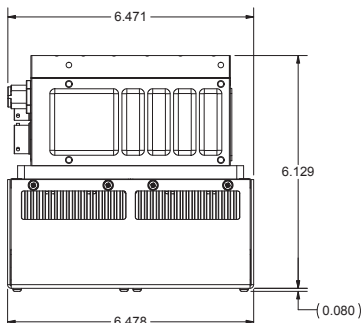
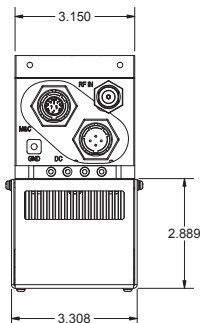
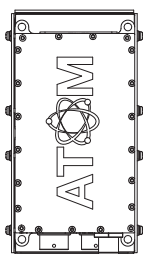
## MONITOR & CONTROL

<b>M&amp;C Interface</b>	RS-232 & RS-485
<b>M&amp;C Connector</b>	MIL-26482 Series 1 Receptacle, Shell Size 12, 10 Pins
<b>Mute Control</b>	Fully configurable (mute enable: high or low, mute default: enabled or disabled)
<b>Low</b>	0.0 - 0.8V
<b>High</b>	3.0 - 5.0V
<b>Thermal Shutdown Temperature</b>	90°C (Accuracy ± 3°C)

## POWER

<b>Input Voltage</b>	20 - 56 VDC
<b>Power Consumption with fans</b>	165W @ Psat (Typical) 126W @ 3dB backoff from P1dB 115W @ Quiescent (no signal input) 20W muted
<b>Power Connector</b>	MIL-26482 Series 1 receptacle Shell size 12, 4 pins

## MECHANICAL DIAGRAM



**Norsat**  
International Inc.

**North America**  
+1 800 644 4562

**Asia Pacific**  
+1 604 821 2813

**EMEA**  
+44 1522 730 800

**South America**  
+1 604 821 2835

**Online**  
www.norsat.com