

**Norsat**<sup>®</sup>  
International Inc.

# BUC

## KU-BAND

### 1021XRT 2W

### NON-INVERTED

#### ► TYPICAL SPECIFICATIONS

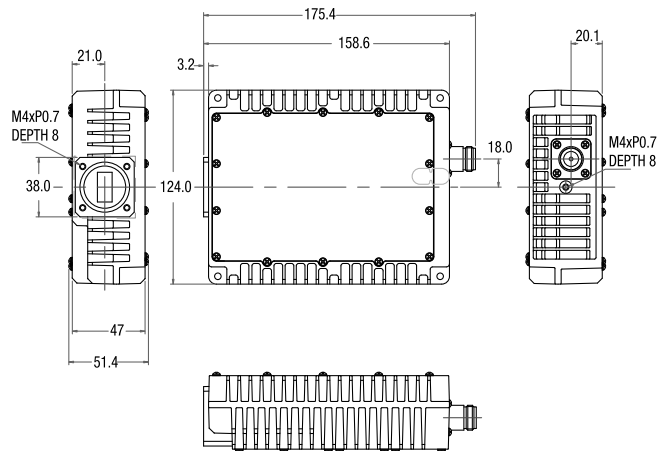
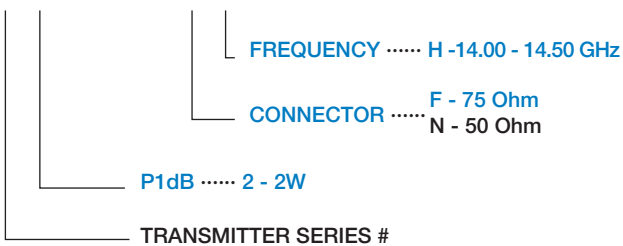


Output frequency	14.00 to 14.50 GHz
Input frequency	950 to 1450 MHz
Output P1dB minimum	33.0 dBm
L.O. frequency	13.05 GHz
Input VSWR maximum	2.0 : 1
Output VSWR maximum	2.1 : 1
Phase noise (SSB) maximum	-70 dBc/Hz at 1 kHz -80 dBc/Hz at 10 kHz -90 dBc/Hz at 100 kHz
External reference signal frequency	10 MHz
Power requirements	+14.5 to +24V supplied through center conductor of IF cable
Power consumption maximum	26 W
Dimensions	176 (L) x 124 (W) x 52 (H) mm (6.9 x 4.9 x 2.0 in)
Weight	1.8 kg / 4.0 lb

External reference level	-5 to +5 dBm
10 MHz external reference phase noise maximum	-125 dBc/Hz at 100 Hz -135 dBc/Hz at 1 kHz -140 dBc/Hz at 10 kHz
Gain (including variation over temperature and frequency)	50 dB min 60 dB max
Gain stability over temperature	±2.25 dB at any constant frequency
Gain stability in-band at any constant temperature	±1.0 dB in any 54 MHz band ±2.25 dB over full 500 MHz band

#### ► HOW TO ORDER KU-BAND 1021XRT

### 1021XRTFH



#### ► MECHANICAL DIAGRAM

Americas & Asia Pacific Tel: +1.604.292.9000  
Fax: +1.604.292.9100  
TOLL FREE: +1.800.644.4562

Europe, Middle East and Africa Tel: +44 1522 730800  
Fax: +44 1522 730927

e-mail: sales@norsat.com  
www.norsat.com