

AVAILABLE WITH 1, 2 OR 3 HEADS

The LEDOSEC series is an economical group of outdoor security luminaires. Models are available with either one, two or three heads, and with either built-in photocells or combination motion sensors and photocells. With a high-strength, cast aluminum housing and a high-quality, UV-resistant glass diffuser, the LEDOSEC is a versatile and durable outdoor luminaire. High-efficacy, long-life LEDs provide both energy and maintenance cost savings compared to traditional outdoor security luminaires.

ADVANTAGES

- » Available in 4000k (cool white) and 5000k (daylight white) color temperatures.*
- » Long-life LEDs provide 53,000 hours of operation with at least 70% of initial lumen output (L70).**
- » Models with one head provide 1,064 to 1,069 lumens and 89 lumens per watt (LPW).*
- » Models with two heads provide 2,041 to 2,089 lumens and 82 to 84 LPW.*
- » Models with three heads provide 3,105 to 3,135 lumens and 86 to 87 LPW.*
- » Operates on 120 AC voltage (60Hz).
- » Power factor > 0.90.
- » Color rendering index > 80.
- » Die cast aluminum housing with durable, powder coat paint.
- » Glass lens is sealed and gasketed to prevent leaks.
- » Easy installation in new construction or retrofit.

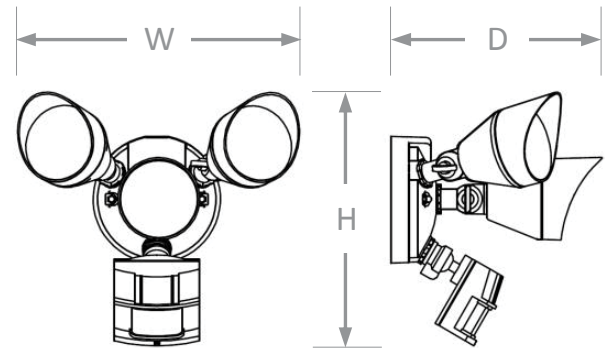
Project: _____
 Location: _____
 Cat. No: _____
 Type _____
 Qty: _____
 Notes: _____



5 Year
Warranty

WEIGHT (LBS.)

PHOTOCELL ONLY			PHOTOCELL & MOTION SENSOR		
1-HEAD	2-HEADS	3-HEADS	1-HEAD	2-HEADS	3-HEADS
1.4	1.8	2.6	1.8	2.0	2.8



DIMENSIONS

PHOTOCELL ONLY			PHOTOCELL & MOTION SENSOR		
1-HEAD	2-HEADS	3-HEADS	1-HEAD	2-HEADS	3-HEADS
5"W	11"W	11"W	5"W	11"W	11"W
5½"H	6¾"H	6¾"H	10"H	10"H	10"H
8¼"D	6¾"D	8¼"D	8¼"D	6¾"D	8¼"D

ORDER MATRIX

EXAMPLE: LED-OSEC-1-PC-DB-4K				
MODEL	# HEADS	SENSOR	HOUSING COLOR	COLOR TEMPERATURE
LED-OSEC	1 = 1 head 2 = 2 heads 3 = 3 heads	PC = Photocell only PCMS = Photocell & motion sensor	DB = Dark bronze WT = White	4K = 4000k 5K = 5000k



ELECTRICAL DATA

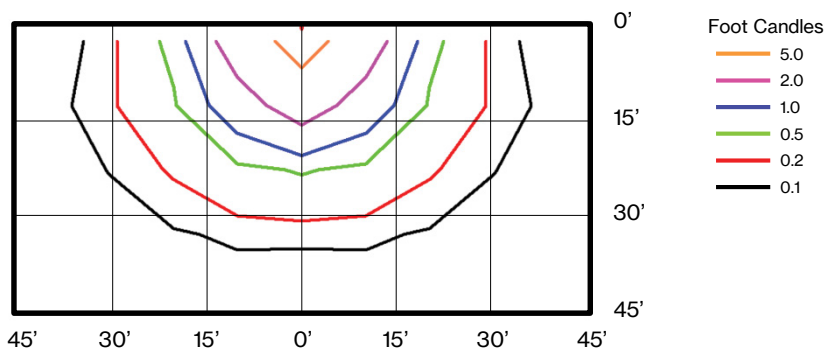
MODEL	COLOR TEMPERATURE	CRI ¹	LUMINAIRE LUMENS	LUMINAIRE WATTS	LUMENS PER WATT	INPUT VOLTAGE ²	INPUT CURRENT (A)	POWER FACTOR	L ₇₀ HOURS ³
LED-OSEC-1-PC	4000k / 5000k	> 80	1,069	12	89	120	0.10	> 90%	53,000
LED-OSEC-1-PCMS	4000k / 5000k	> 80	1,064	12	89	120	0.10	> 90%	53,000
LED-OSEC-2-PCMS	4000k / 5000k	> 80	2,089	25	84	120	0.21	> 90%	53,000
	4000k / 5000k	> 80	2,041	25	82	120	0.21	> 90%	53,000
LED-OSEC-3-PCMS	4000k / 5000k	> 80	3,105	36	86	120	0.30	> 90%	53,000
	4000k / 5000k	> 80	3,135	36	87	120	0.30	> 90%	53,000

¹ Color rendering index.

² 60Hz.

³ L70 refers to the number of hours at which lumen output declines to 70% of the initial level. L70 hours are IES TM-21-11 calculated hours.

PHOTOMETRIC DATA



Notes:

- Isofootcandle plots depict initial footcandles at grade.
- Gridlines represent units of mounting height of 15 feet.

