



How to fit your 50mm diameter motorised curtain pole

Please note: the screws and wall plugs supplied are only suitable for solid walls.

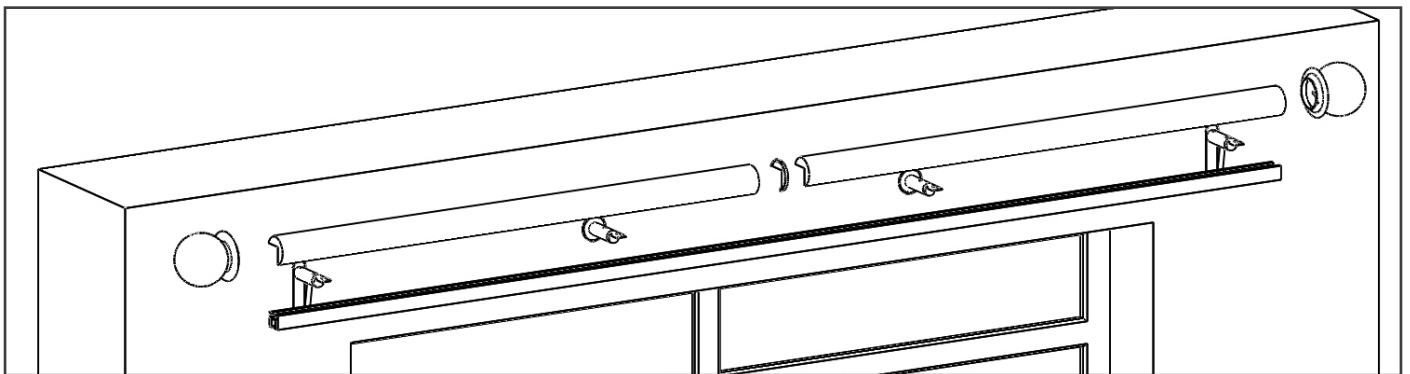
You will need

- pencil
- tape measure
- spirit level
- appropriate wall plugs and screws
- drill and bits

Handy Tips

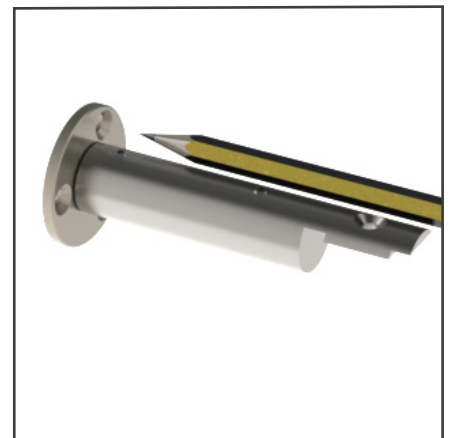
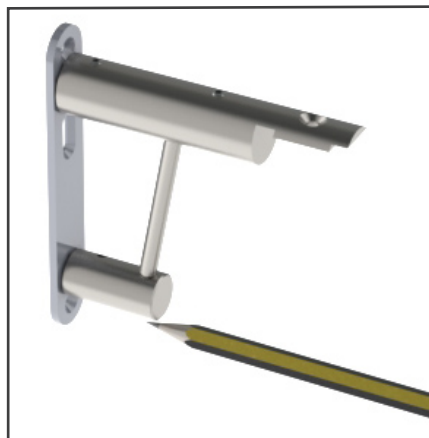
- To get maximum light into your room allow plenty of pole length either side of your window
- The position of the pole above the window will be dependent on proportion, personal preference and available space
- To align your pole make sure it looks good to your eye – do not necessarily adhere rigidly to the spirit level – you may need a compromise if you have a wonky ceiling!
- The top of the bracket back plate will be 5mm below the top of the pole
- If your track comes in 2 pieces with a central joiner, please bear in mind that you will be unable to fit a bracket in the centre
- It is easier if you have a helper to fit the pole.

1 Mark the position of the top edge of your pole in the centre of the window



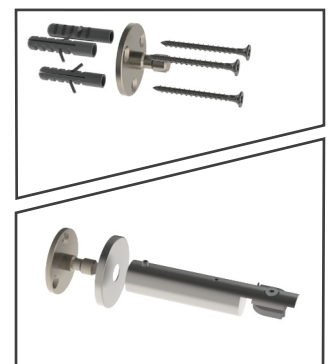
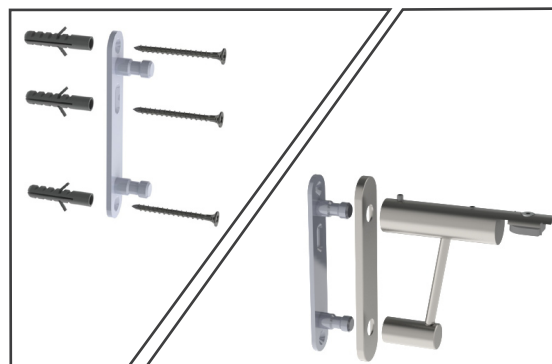
2 Mark the exact bracket position

- Measure from your centre point above your window to half the overall length of the pole either side
- Place the bracket 20cm in either side from this position, ie 20cm in from the end of the pole (this is to allow for the bend in the track at the motor end)
- Mark the positions of the intermediate brackets as well (recommended maximum spacing between brackets of 160cm)



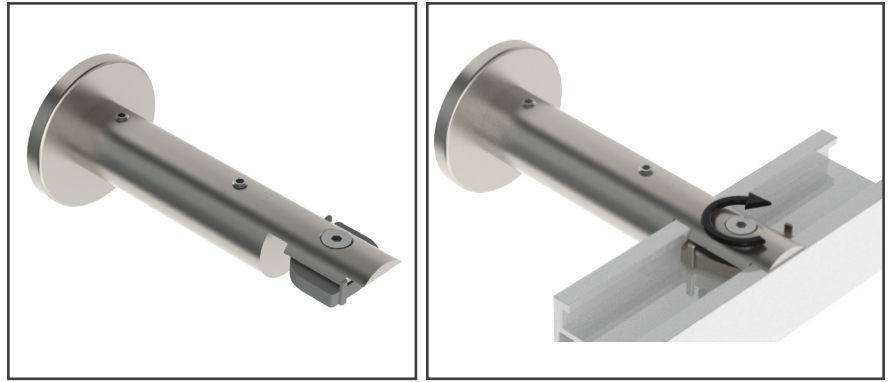
3 Fix the brackets to the wall

- Drill holes for the fixings
- Using appropriate wall plugs and screws for your wall type, attach the bracket



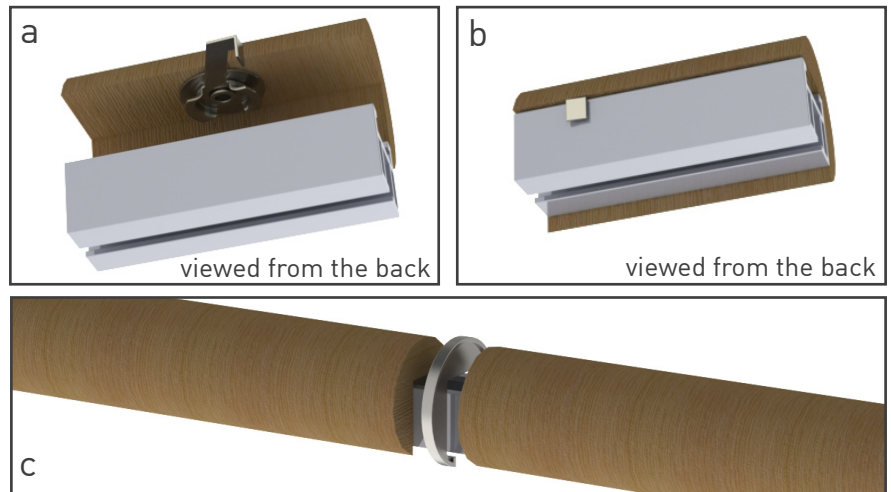
6 Fix the track

- Loosen the fixing plates on the brackets and rotate so that they are at 90 degrees.
- Offer the track up to the brackets and when in the correct position, rotate the fixing plates so that they hook under the ledges in the track.
- Tighten the bolts so that the track is held securely.



7 Fit cover

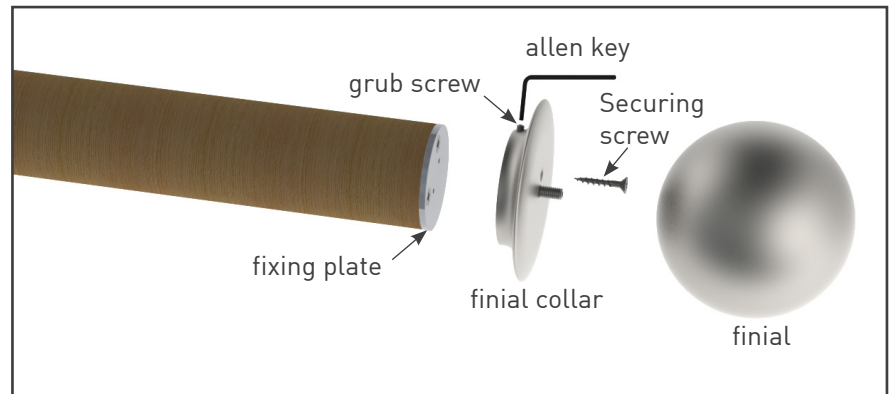
- Line up the clips on the pole cover so that they are as shown opposite (a).
- Sit the cover onto the track and secure by rotating the clips a quarter turn to lock them into the track (b). Make sure all clips are sitting in the track correctly.
- If the pole cover is in 2 pieces, sandwich the connector(s) between the cover pieces to hide the join (c).



8 Attach finials

- Loosen the grub screw with the allen key supplied
- Slot the finial over the end of the pole with the grub screw pointing upwards and slightly turned towards the wall so that it is not visible. The securing screw should line up with the hole in the fixing plate
- Tighten the grub screw firmly to the pole

Please note that mini disc and bobbin finials do not require the securing screw



Please refer to the separate Somfy instructions to set up you track.